

Bowers & Wilkins

PI7  
Wireless  
Headphones

## Welcome to Bowers & Wilkins and PI7

Thank you for choosing Bowers & Wilkins. When John Bowers first established our company, he did so in the belief that imaginative design, innovative engineering and advanced technology were keys that could unlock the enjoyment of audio in the home.

PI7 is a high performance in-ear headphone designed to deliver the highest quality mobile personal audio experience combined with the convenience of wireless operation and the serenity of noise-cancellation. This manual will tell you everything you need to know to get the most from your PI7 headphones.

Your PI7 can play music streamed wirelessly from your mobile phone, tablet or computer via Bluetooth. PI7 can also be used for wireless telephony.

PI7 Real World Listening features include our latest innovations in Adaptive Noise Cancellation, Ambient Pass-Through and enhanced Wear Sensing technologies. Our latest generation noise cancellation feature was designed from the ground up with intelligent environment sensing capabilities, automatically selecting the appropriate type of noise cancellation best suited to your surrounding environment, its only goal is to deliver an uncompromised listening experience. Ambient Pass-Through enables external sounds, such as conversation or safety announcements, to be heard clearly without any need to remove the headphones. The Wear Sensing feature enables PI7 to respond naturally, pausing and resuming the music simply by lifting either earpiece on or off your ear. These features can be enabled and further customised via the Bowers & Wilkins Headphone App available for free on iOS and Android devices.

PI7 incorporates a rechargeable battery case. When fully charged, depending on the degree of Bluetooth, Adaptive Noise Cancellation and Ambient Pass-Through use, the battery case can provide up to 20 hours of continuous wireless media streaming with noise cancellation enabled at average playback volume levels.

## 1. PI7 Carton Contents

PI7 Headphones with Ear Tips (M)  
 Charging Case  
 USB-C Charging and USB-C to 3.5mm Audio Cable  
 Ear Tips (S/L)  
 Literature Pack

## 2. Getting to know your PI7

### 2.1 Switching Headphones On and Off

#### Switching On/Off

PI7 does not have a power control, instead the power management is automatic. Your PI7 earbuds will automatically charge when placed into the charging case, and will be ready to use when they are removed from the case.

When your earbuds are removed from the charging case, and not used for 5 minutes, they will enter a power saving mode. To exit power saving mode, start using the earbuds again by connecting your paired device, streaming audio or placing the earbuds into your ears.

### 2.2 Headphone Controls

Each earbud has a Multi-function button located on the top cap of the earbud, see Diagram 1. The Multi-function button controls are as follows:

#### Media Playback:

Function	Action
Play or pause	Press the Multi-function button once.
Play to next track	Press the Multi-function button twice in quick succession.
Play previous track	Press the Multi-function button three times in quick succession.

#### Phone call functionality:

Function	Action
Answer call	Press the Multi-function button once with incoming call.
End call	When incoming call occurs, press the Multi-function button twice in quick succession.
Decline an incoming call	Press the Multi-function button twice in quick succession with incoming call.

## 3. Intelligent Features

### 3.1 Adaptive Noise Cancellation

Noise cancellation is a series of advanced technologies that aids in removing undesired noise from the surrounding environment.

PI7 features our latest innovations in adaptive noise cancellation, this includes intelligent sensing that adapts noise cancellation and tuning best suited to your surrounding environment. As your surroundings change, noise cancellation will auto adapt to complement your new environment.

The noise cancellation features is activated by pressing the left (L) earbud Multi-function button for 1 second, additional 1 second presses cycle through the modes: On, Auto or Off. See Diagram 2 for button location.

Mode	Application
On	Removes undesired noise from the surrounding environment.
Auto	Intelligently adapts noise cancellation best suited to your current environment.
Off	Turns off the noise cancellation feature.

### 3.2 Voice Assistance

Voice Assistance is activated by pressing the right (R) earbud Multi-function button for 1 second. See Diagram 2 for button location.

### 3.3 Ambient Pass-Through

PI7 features ambient pass-through which lets some external noise from the surrounding environment, such as safety announcements or conversations, to be heard without taking the headphones off.

Ambient pass-through can be enabled or disabled through Bowers & Wilkins headphone App. The level of ambient pass-through, High/Low/Off, can be adjusted to suite your needs through the App.

### 3.4 Wear Sensors

PI7 incorporate our latest enhanced wear detection sensors in both earbuds. The sensors enable intelligent battery conservation by entering power saving mode when removed from the ears. When worn again, PI7 automatically wakes and connects to the last connected Bluetooth device.

The sensors will also pause audio when the earbuds are removed from your ears. Playback will auto resume when the earbud is placed back in the ear. Auto resume has been further optimised so it is ready only when you are.

Wear sensor can be turned off from the Bowers & Wilkins Headphone App.

*Note: Take special care when wearing your earphones, hair or accessories trapped between your ears and the earbuds may interfere with proximity sensing.*

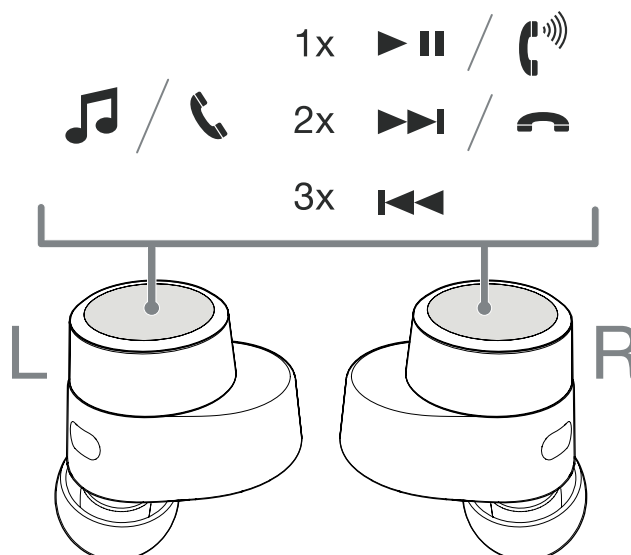


Diagram 1  
Multi-function button

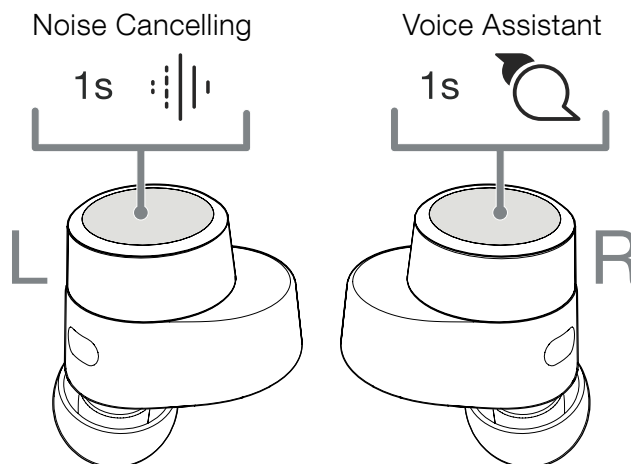


Diagram 2  
Headphone controls

#### 4. Stowing the Earbuds

When not in use, the PI7 earbuds should be stored inside the charging case where they will be recharged ready for future use.

#### 5. Battery Charging

PI7 ships with the case and earbud batteries partially charged and may be used immediately. For best practice we recommend fully charging the earbuds before first use. Please allow up to 3 hours for full charge.

To charge the PI7 earbuds:

1. Place the PI7 earbuds in the charging case.
2. Close the charging case lid.

To charge the PI7 charging case:

1. Use the supplied USB charging cable and connect the USB plug to a USB wall charger or a powered computer USB socket.
2. Then connect the USB-C end to the charging case USB-C socket.

*Note: During charging, the case indicator will blink green. When fully charged, the indicator will remain illuminated. The case can be charged with or without the earbuds being housed inside the case.*

To charge the PI7 case with a wireless charging station:

1. Place the charging case onto a wireless charging station.
2. Ensure that the rear of the charging case is on the charging station (with the case indicator facing up).

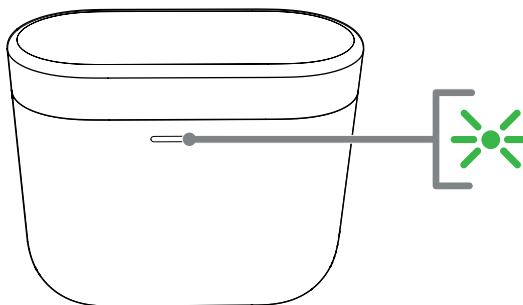
*Note: During charging, the case indicator will blink green. When fully charged, the indicator will remain illuminated.*

##### 5.1 Status Indicator

The status indicator is located on the front of the case. When the earbuds are placed in the case the LED provides information about the earbuds. When the earbuds are removed from the case the LED provides information on the charging case. See Diagram 3 for LED states.

##### 5.2 Checking Battery Levels

You can check the case battery level by pressing the button on the outside of the case once. When both earbuds are stowed in the case, press the same button twice to see the earbuds battery level. See Diagram 4 for button location.



With the earbuds in the charging case

illumination		Operational state
Green (case lid open)		Earbud battery charge >40%
Yellow (after power on)		Earbud battery charge >20%, <40%
Red (after power on)		Earbud battery charge <20%
Red (blinking)		Earbud factory reset
Red (solid)		Hardware reset / system crash
Blue (blinking)		Pairing mode enabled
Blue (3 sec solid)		Pairing successful

With the earbuds removed from the charging case

illumination		Operational state
Green (case lid open)		Battery charging >40%
Yellow (after power on)		Battery charging >20%, <40%
Red (after power on)		Battery charging <20%
Red (blinking)		Factory reset
Red (solid)		Hardware reset / system crash

Diagram 3  
Status indicator illuminations

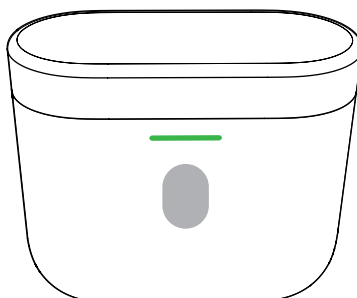


Diagram 4  
Case and earbud battery indicator

## 6. Bluetooth Connectivity

### 6.1 Pairing

Your PI7 earphones are designed to stream music wirelessly from Bluetooth audio devices, such as smartphones, tablets, or computers. To do so, the earphones and device must first be paired.

When you receive your PI7 earphones they will be ready to pair to any Bluetooth audio device.

#### 6.1.1 iOS System / Android System without Google FastPair.

1. Download the Bowers & Wilkins Headphone App.
2. Open the case lid, the case indicator will flash blue.
3. Go to the Bluetooth pairing menu of your device and select the "Bowers & Wilkins PI7" from the device list.
4. The case indicator will change to solid blue to indicate pairing is successful.
5. Open the Bowers & Wilkins app and add the headphones.

*Note: Your earphones will automatically exit Bluetooth pairing mode if no device is paired within 5 minutes. If pairing fails, the indicator will rapid flash blue, please try pairing again.*

To pair to a subsequent device. See Diagram 5:

1. Open the case lid with the earbuds placed inside the case.
2. Press and hold the button inside the case for between 1 and 5 seconds, the case indicator will flash blue.
3. Go to the Bluetooth pairing menu of your new device and select the "Bowers & Wilkins PI7" from the device list.
4. The case indicator will change to solid blue to indicate pairing is successful.

PI7 can remember up to 3 paired Bluetooth Devices. Repeat the above steps to pair more devices.

*Note: Your earbuds will automatically exit Bluetooth pairing mode if no device is paired within 5 minutes. If pairing fails, the indicator will rapid flash blue, please try pairing again.*

#### 6.1.2 Google FastPair (For Android System integrated with GFP Feature)

To add your headphones:

1. Place the case no further than 10cm (4 inches) away from Android device (BT enabled) and open the PI7 case lid.
2. A GFP (Google FastPair) notification window will pop up showing "Bowers & Wilkins PI7 detected" and request to start the pairing process.
3. Press "Notification" button on the window to enable the pairing, successful connection will be shown in GFP window.
4. Once paired:
  - o GFP window will direct you to the Google Play store to download and Install the Bowers & Wilkins App.
  - o L/R Earbud and case Battery Level can be seen on the GFP window

#### 6.2 Disconnect from a Device

You can quickly disconnect PI7 from a device by putting the earbuds back to the case. Alternatively, you can manage connection in further detail using the Bowers & Wilkins Headphones app under Connections.

### 6.3 App features

The Bowers & Wilkins Headphones app provides extended setup and adjustments to features such as Adaptive Noise Cancellation, Ambient Pass-Through, and Wear Sensors. The app also provides further customisations such as voice prompt, level of ambient pass-through, connection management, and headphone software updates. The app is available as a free download on iOS and Android devices.

To add your headphones:

1. From your mobile device, download and install the Bowers & Wilkins Headphones app.
2. Launch the app, then read and follow the instructions pertaining app notification and permissions.
3. After reaching the main screen, simply tap + and following the in-app instructions.

#### 6.4 Headphone Software Update

Bowers & Wilkins will occasionally make available software updates that refine and optimise the performance of your headphones or add new features.

The Bowers & Wilkins Headphones app will notify you when a software update is available, tap on the notification and follow the in-app instructions.

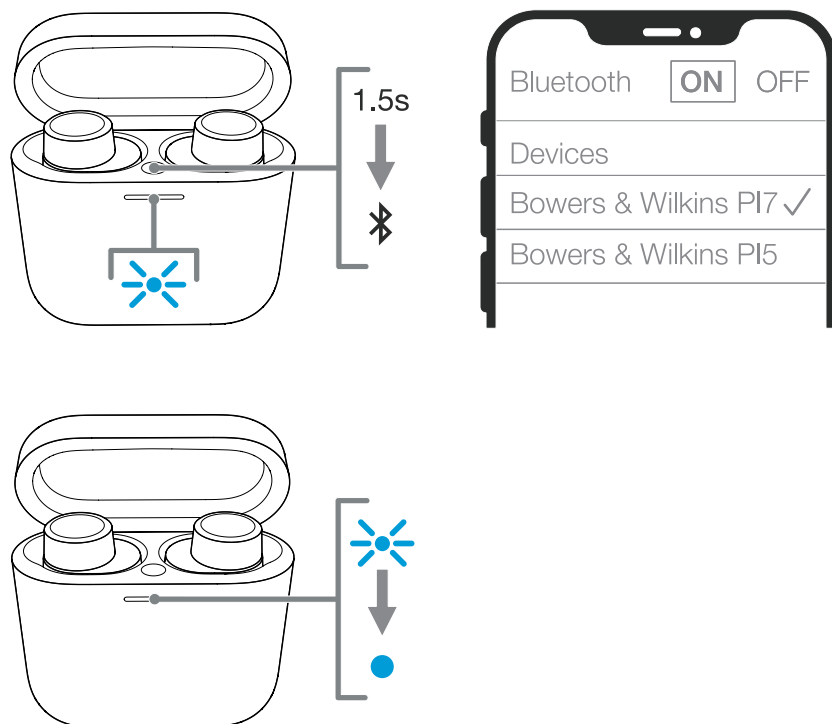


Diagram 5  
Bluetooth pairing - subsequent device

## 7. Wearing Your Headphones

Wearing your headphones correctly will help ensure you get the best possible experience, see Diagram 6. Like many in-ear earphones, PI7 earbuds are designed to seal the ear canal in order to perform optimally. Ear tips come in three sizes (small, medium and large). Finding the proper size for your ear is critical to obtaining a good seal and ensure PI7, and the advanced features such as Adaptive Noise Cancellation, perform optimally.

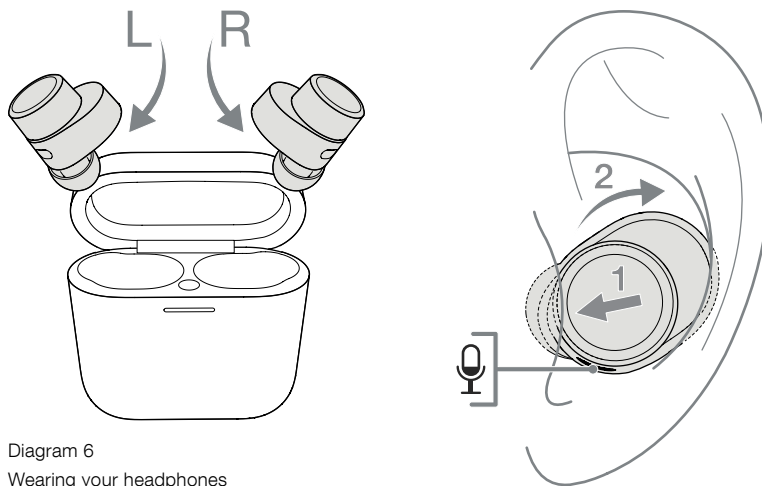


Diagram 6  
Wearing your headphones

1. Identify the left and right earbud by finding the L and R identification located on the inner side on each earbud.
2. Place the earbuds in your ear and twist the ear bud backwards slightly so that the tips engages comfortably with the opening of the ear canal.
3. If the earbud tip feels to large or small try another size ear tip to ensure the best possible fit.

*Note: To optimise call quality, please ensure the microphone located underneath the earbud is facing outward, see Diagram 6.*

## 8. Media Streaming

### 8.1 Connecting your case to media source with the supplied USB type-C-to-3.5mm or USB type-C-to-C Cable for media streaming, see Diagram 7.

1. Connect the supplied cable to the case and the source device.
2. Your PI7 will automatically start streaming.

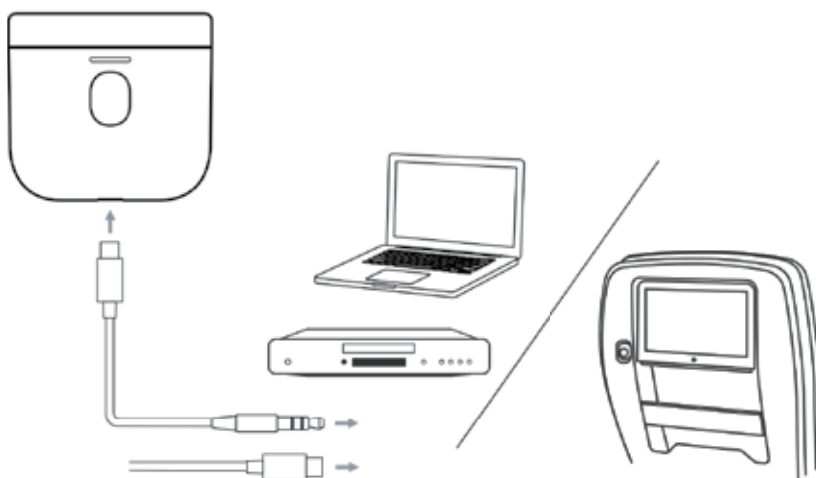


Diagram 7  
Media streaming

*Note: For Mac user, for the 1st time streaming, go to output control under Sound Setting and select "Bowers & Wilkins PI7"*

### 8.2 Pairing secondary/subsequent headphone (ONLY Bowers & Wilkins) to the case for media streaming, see Diagram 8.

Your case can also pair with another Bowers & Wilkins Headphone for media streaming

1. Connect the supplied cable to the case and the source device.
2. Press and hold the outside button for 3 seconds until the LED flashing blue light.
3. Switch the headphone into pairing mode.
4. The case LED will change to a solid blue light to indicate the connection completed.
5. Once paired, Press the external case button:
  - 1x to START the streaming
  - 2x to STOP the streaming

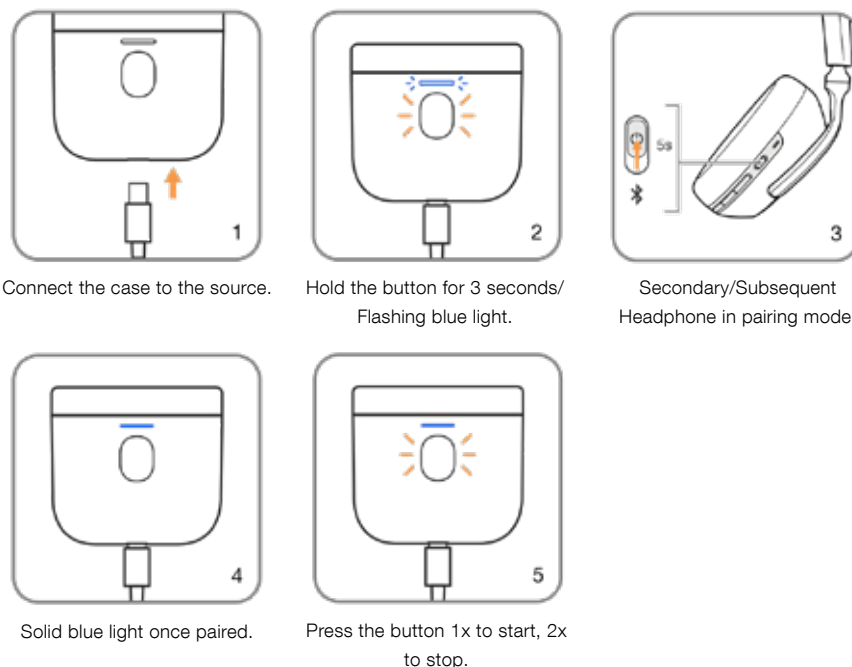


Diagram 8  
Secondary / subsequent headphone streaming

*Note: Both earbuds have to be inside the case while using the secondary headphone. Once the subsequent headphone is paired, the paired history will be deleted.*

## 9. Reset/Troubleshooting

### 9.1 Factory Reset

You can clear the paired device history and restore all settings to their defaults.

To factory reset the earbuds, open the charging case with the earbuds placed inside. Press and hold the button on the inside of the case for 5 seconds and release. The indicator on the case will turn red to indicate the reset.

*NOTE: In the case of earbuds are not functioning properly, please perform a factory reset to resolve the issue.*

### 9.2 Hard Reset

To hard reset the earbuds, open the case with the earbuds placed inside. Press and hold the button inside the case for 15 seconds until LED indicator goes off and illuminates in green to indicate completion of hard reset process.

*NOTE: For a serious system crash (solid red LED light), please perform a hard reset.*

## 10. Caring For Your Earphones

Your earbuds can be cleaned by a damp cloth and gently dabbing until clean. Do not use cleaning detergents, rubbing alcohol, or chemical cleaners/polish, doing so may damage your earbuds.

## 11. Service / Support

If you need help troubleshooting a specific problem, or simply have a question you would like answered, please initially consult the Headphone support section of the Bowers & Wilkins website: [www.bowerswilkins.com](http://www.bowerswilkins.com).

## Specifications

Technical Features	True Wireless technology Bluetooth 5.0 with AptX Adaptive technology Auto ANC Audio streaming from charging case Wireless and USB-C charging Fast charging support
Bluetooth Codecs	AptX – Adaptive AptX – HD AptX – Low Latency AptX – Classic AAC SBC
Bluetooth Profiles	A2DP v1.3.1 AVRCP v1.6.1 HFP v1.7.1 HSP v1.2 BLE GATT (Generic Attribute Profile)
Frequency Band	Tx mode: 2402MHz to 2480MHz, ISM Band Rx mode: 2402MHz to 2480MHz, ISM Band
RF output power	< 0r =10.0 dBm
Drive Units	9.2mm Dynamic Drive with Balanced Armature
Frequency Range	10Hz to 20kHz
Distortion (THD)	<0.3% (1kHz/10mW)
Battery Life	Up to 4 hours Bluetooth
Charging	15 minute charging = 2 hrs Bluetooth
Inputs	Bluetooth
Weight	7g for earbuds, 61g for charging case

## Bienvenue chez Bowers & Wilkins et au PI7

Merci d'avoir choisi Bowers & Wilkins. Quand John Bowers a créé notre entreprise, il l'a fait avec la conviction qu'un design imaginatif et innovant, ainsi que l'ingénierie et les technologies de pointe étaient les clés qui pourraient libérer le plaisir de l'audio à domicile.

Le PI7 est un casque intra-auriculaire haute performance conçu pour offrir la meilleure expérience audio personnelle mobile, combinée à la praticité du fonctionnement sans fil et à la sérénité offerte par la suppression du bruit ambiant. Ce manuel vous détaillera tout ce que vous devez savoir pour tirer le meilleur parti de votre casque PI7.

Votre PI7 peut diffuser de la musique sans fil à partir de votre téléphone mobile, tablette ou ordinateur via Bluetooth. Le PI7 peut également être utilisé pour la téléphonie sans fil.

Les fonctionnalités Real World Listening du PI7 intègrent nos dernières innovations en matière de réduction de bruit adaptative, de mode Ambient pass-through et de technologies améliorées de détection de port des écouteurs. Notre fonction d'annulation du bruit de dernière génération est entièrement nouvelle. Elle dispose de capacités de détection de l'environnement extérieur intelligentes, en sélectionnant automatiquement le type de suppression de bruit la plus appropriée et la mieux adaptée à ce qui est autour de vous. Son unique objectif étant de vous offrir une expérience d'écoute sans compromis. Le mode Ambient Pass-Through permet d'activer certains sons externes, tels que les conversations ou les annonces de sécurité, pour qu'ils puissent être entendus clairement sans qu'il soit nécessaire de retirer les écouteurs. La fonction de détection de port des écouteurs confère au PI7 une utilisation naturelle, en se mettant en pause et reprenant la musique juste en soulevant un écouteur ou en le retirant de votre oreille. Ces fonctionnalités peuvent être activées et personnalisées via l'application Bowers & Wilkins pour casques, disponible gratuitement sur les appareils iOS et Android.

Le PI7 dispose d'un boîtier de batteries rechargeables. Lorsqu'il est complètement rechargé, selon le degré d'utilisation du Bluetooth, de l'annulation adaptative de bruit et du mode Ambient, le boîtier peut offrir jusqu'à 20 heures d'autonomie d'utilisation en streaming sans fil en continu, avec la suppression de bruit active en fonction et à des niveaux de volume d'écoute moyens.



## 1. Contenu du carton PI7

Casque PI7 avec embouts auriculaires (M)  
Boîtier de recharge  
Câbles audio et de chargement USB-C et USB-C vers 3,5 mm  
Embouts auriculaires (S/L)  
Ensemble de documentation

## 2. Familiarisation avec votre PI7

### 2.1 Allumer et éteindre le casque

#### Allumer/éteindre

Le PI7 n'a pas de commande de mise sous tension, celle-ci est automatique. Vos écouteurs PI7 se mettent en charge dès qu'ils sont placés dans le boîtier de recharge, et sont prêts à être utilisés lorsqu'ils sont retirés du boîtier.

Lorsque vos écouteurs sont ôtés du boîtier de charge et non utilisés pendant 5 minutes, ils passent en mode économie d'énergie. Pour les sortir de ce mode d'économie d'énergie, il suffit d'utiliser les écouteurs à nouveau en les connectant à votre appareil jumelé, ou en leur envoyant un flux audio en streaming, ou enfin en les insérant dans vos oreilles.

### 2.2 Contrôle des écouteurs

Chaque écouteur dispose d'un bouton multifonctions situé sur le capot supérieur de l'écouteur, voir Schéma 1. Les commandes de ce bouton multifonctions sont les suivantes :

#### Lecture multimédia :

Fonction	Action
Lecture ou pause	Appuyez une fois sur le bouton multifonctions.
Passer à la piste suivante	Appuyez sur le bouton multifonctions deux fois en succession rapide.
Lire la piste précédente	Appuyez sur le bouton multifonctions trois fois en succession rapide.

#### Communications téléphoniques :

Fonction	Action
Répondre à un appel	Appuyez sur le bouton multifonctions une fois pour prendre un appel entrant.
Fin d'appel	Lors d'un appel entrant, appuyez sur le bouton multifonctions deux fois de suite en succession rapide.
Refuser un appel entrant	Appuyez sur le bouton multifonctions deux fois de suite rapidement pour refuser un appel entrant.

## 3. Fonctionnalités intelligentes

### 3.1 Annulation adaptative du bruit

L'annulation du bruit ambiant consiste en une série de technologies qui aident à éliminer les bruits indésirables du milieu environnant.

Le PI7 dispose de nos dernières innovations en matière de réduction de bruit adaptatif, notamment la détection intelligente qui adapte la réduction du bruit et utilise le réglage le mieux adapté à l'espace qui vous entoure. Lorsque celui-ci change, le système de suppression de bruit s'adapte automatiquement à votre nouvel environnement.

Les fonctions d'annulation du bruit sont activées en appuyant sur le bouton multifonctions de l'écouteur gauche (L) pendant 1 seconde. En appuyant pendant 1 seconde supplémentaire, on bascule entre les modes On, Auto ou Off. Voir le Schéma 2 pour visualiser l'emplacement du bouton.

Mode	Application
On	Supprime les bruits indésirables du milieu environnant.
Auto	Adapte intelligemment la fonction de suppression du bruit pour qu'elle soit la mieux adaptée à votre environnement courant
Off	Désactive la fonction d'annulation du bruit.

### 3.2 Assistant vocal

L'assistant vocal est activé en appuyant sur le bouton multifonctions de l'écouteur droit (R) pendant 1 seconde. Voir Schéma 2 pour visualiser l'emplacement du bouton.

### 3.3 Mode Ambient Pass-Through

Le PI7 dispose d'un mode Ambient Pass-Through, qui permet à certains bruits extérieurs du milieu environnant, comme des annonces de sécurité ou les conversations, de pouvoir être entendus sans qu'il soit nécessaire de retirer les écouteurs

Le mode Ambient Pass-Through peut être activé ou désactivé via l'application casque Bowers & Wilkins. Le niveau du mode Ambient Pass-Through Haut/Bas/Arrêt, peut être ajusté via l'application, pour répondre à vos besoins.

### 3.4 Capteurs de port des écouteurs

Le PI7 intègre dans les deux écouteurs notre dernière génération de détection de port. Les capteurs permettent de conserver intelligemment l'autonomie de la batterie en faisant basculer les écouteurs en mode d'économie d'énergie lorsqu'ils sont ôtés des oreilles. Lorsque qu'il est porté à nouveau, le PI7 se réveille et se connecte automatiquement au dernier appareil Bluetooth connecté.

Les capteurs mettront également en pause le flux audio dès que les écouteurs sont ôtés de vos oreilles. La lecture sera automatiquement reprise lorsque les écouteurs seront remis en place dans les oreilles. La reprise automatique a été encore optimisée, pour ne reprendre la lecture que quand vous êtes prêts à la faire.

Le capteur de port peut être désactivé via l'application casque de Bowers & Wilkins.

*Remarque : faites particulièrement attention lorsque vous portez vos écouteurs à ce que des cheveux ou accessoires ne viennent pas se coincer entre vos oreilles et les écouteurs, ce qui pourrait interférer avec la détection de proximité.*

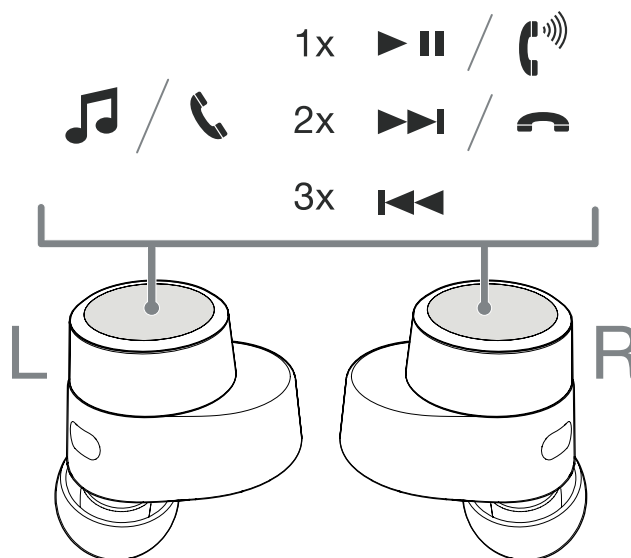


Schéma 1  
Bouton multifonctions

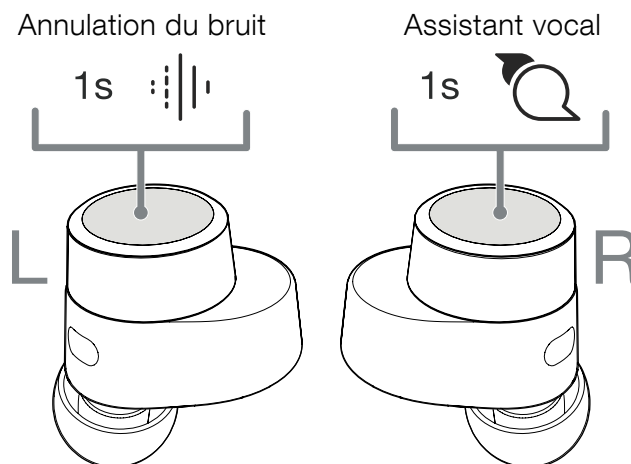


Schéma 2  
Contrôles des écouteurs

#### 4. Rangement des écouteurs

Lorsqu'ils ne sont pas utilisés, les écouteurs PI7 doivent être stockés à l'intérieur du boîtier de recharge où ils seront rechargés et ainsi prêts pour une utilisation future.

#### 5. Chargement de la batterie

Le PI7 est livré avec le boîtier de charge et les batteries des écouteurs partiellement rechargées. Il peut être utilisé immédiatement. Nous vous recommandons toutefois de recharger complètement vos écouteurs avant la première utilisation. Prévoyez environ 3 heures pour une recharge complète.

Pour recharger les écouteurs PI7 :

1. Placez les écouteurs PI7 dans le boîtier de charge.
2. Fermez le couvercle du boîtier de charge.

Pour charger le boîtier de charge du PI7 :

1. Utilisez le câble de chargement USB fourni et connectez la prise USB à un chargeur mural USB, ou une prise USB alimentée d'un ordinateur.
2. Connectez ensuite l'autre extrémité du câble USB-C à la prise USB-C du boîtier de recharge.

*Remarque : pendant la charge, l'indicateur lumineux du boîtier de recharge clignote en vert. Lorsqu'il est complètement chargé, l'indicateur reste allumé en continu. Le boîtier peut être chargé avec ou sans les écouteurs à l'intérieur.*

Pour recharger le boîtier de charge du PI7 avec un chargeur sans fil :

1. Placez l'étui de transport sur le chargeur sans fil
2. Assurez-vous que l'arrière du boîtier de charge est bien positionné sur le chargeur sans fil (avec l'indicateur lumineux du boîtier vers le haut).

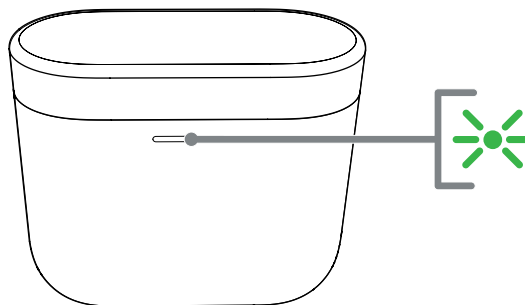
*Remarque : pendant la charge, l'indicateur lumineux du boîtier clignote en vert. Lorsqu'il est complètement chargé, l'indicateur reste allumé en continu.*

#### 5.1 Indicateur d'état à LED

L'indicateur d'état à LED est situé à l'avant du boîtier de charge. Lorsque les écouteurs sont placés dans le boîtier de charge, la LED fournit des informations sur les écouteurs. Lorsque les écouteurs sont retirés du boîtier, la LED fournit des informations sur le boîtier de charge. Le Schéma 3 détaille les différents états de la LED.

#### 5.2 Vérification des niveaux des batteries

Vous pouvez vérifier le niveau de la batterie du boîtier en appuyant une fois sur le bouton à l'extérieur du boîtier. Lorsque les deux écouteurs sont rangés dans leur boîtier, appuyez sur le même bouton deux fois pour connaître le niveau de batterie des écouteurs. Voir le Schéma 4 pour l'emplacement du bouton.



Avec les écouteurs insérés dans le boîtier de recharge

Indicateur LED		État de fonctionnement
Vert (couvercle du boîtier ouvert)		Charge batteries des écouteurs > 40%
Jaune (après mise sous tension)		Charge batteries des écouteurs > 20%, <40%
Rouge (après mise sous tension)		Charge de la batterie des écouteurs <20%
Rouge (clignotant)		Réinitialisation d'usine des écouteurs
Rouge (fixe)		Réinitialisation matérielle/panne système
Bleu (clignotant)		Mode de jumelage activé
Bleu (3 secondes fixe)		Jumelage réussi

Avec les écouteurs retirés du boîtier de recharge

Indicateur LED		État de fonctionnement
Vert (couvercle du boîtier ouvert)		Charge de la batterie > 40%
Jaune (après mise sous tension)		Charge de la batterie > 20%, <40%
Rouge (après mise sous tension)		Charge de la batterie <20%
Rouge (clignotant)		Réinitialisation usine
Rouge (fixe)		Réinitialisation matérielle/panne système

Schéma 3  
Indicateur d'état lumineux

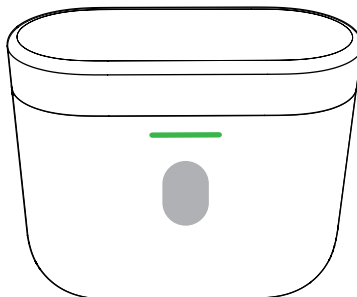


Schéma 4  
Indicateur lumineux des batteries du boîtier de recharge et des écouteurs

## 6. Connectivité Bluetooth

### 6.1 Jumelage

Vos écouteurs PI7 sont conçus pour diffuser de la musique sans fil à partir d'appareils audio Bluetooth, tels que les smartphones, tablettes ou ordinateurs. Pour cela, les écouteurs et l'appareil source doivent d'abord être jumelés.

Lorsque vous recevez vos écouteurs PI7, ils seront prêts à être jumelés à n'importe quel appareil audio Bluetooth.

#### 6.1.1 Système iOS/Système Android sans Google FastPair.

1. Téléchargez l'application Bowers & Wilkins pour casque.
2. Ouvrez le couvercle du boîtier, l'indicateur du boîtier clignote en bleu
3. Accédez au menu de jumelage Bluetooth de votre appareil et sélectionnez « Bowers & Wilkins PI7 » dans la liste des appareils à portée.
4. L'indicateur lumineux passera alors au bleu continu pour indiquer que le jumelage a réussi.
5. Ouvrez l'application Bowers & Wilkins et ajoutez les écouteurs.

*Remarque : vos écouteurs quitteront automatiquement le mode de jumelage Bluetooth si aucun appareil n'est jumelé dans les 5 minutes. Si le jumelage échoue, l'indicateur clignote rapidement en bleu, dans ce cas, réessayez le jumelage.*

Pour jumeler à un autre appareil. Voir le Schéma 5 :

1. Ouvrez le couvercle du boîtier avec les écouteurs à l'intérieur du boîtier.
2. Maintenez appuyé le bouton à l'intérieur du boîtier pendant 1 à 5 secondes, l'indicateur lumineux clignotera en bleu.
3. Accédez au menu de jumelage Bluetooth de votre nouvel appareil et sélectionnez « Bowers & Wilkins PI7 » dans la liste des appareils à portée
4. L'indicateur passera au bleu continu pour indiquer que le jumelage a réussi.

Le PI7 peut ainsi mémoriser jusqu'à 3 appareils Bluetooth jumelés. Répétez les étapes ci-dessus pour jumeler plus d'appareils.

*Remarque : vos écouteurs quitteront automatiquement le mode de jumelage Bluetooth si aucun appareil n'est jumelé dans les 5 minutes. Si le jumelage échoue, l'indicateur lumineux clignote rapidement en bleu. Dans ce cas, réessayez le jumelage.*

#### 6.1.2 Google FastPair (pour appareils avec système Android avec fonctionnalité GFP)

Pour jumeler les écouteurs :

1. Ne placez pas le boîtier à plus de 10 cm (4 pouces) de l'appareil Android (BT activé) et ouvrez le couvercle du boîtier du PI7.
2. Une fenêtre de notification GFP (Google FastPair) apparaîtra, affichant « Bowers & Wilkins PI7 détecté » et demandant de démarrer le processus de jumelage
3. Appuyez sur le bouton « Notification » de la fenêtre pour activer le jumelage, un message indiquant que la connexion est réussie sera affiché dans la fenêtre GFP.
4. Une fois jumelés :
  - o La fenêtre GFP vous dirigera vers le Google Play Store pour télécharger et installer l'application Bowers & Wilkins App.
  - o Le niveau de batterie des écouteurs et du boîtier sera affiché dans la fenêtre GFP.

#### 6.2 Déconnexion d'un appareil

Vous pouvez déconnecter rapidement le PI7 d'un appareil source en remettant les écouteurs dans leur boîtier. Alternativement, vous pouvez gérer la connexion plus en détail en utilisant l'application casque Bowers & Wilkins Headphones dans le sous menu « Connexions ».

### 6.3 Fonctionnalités de l'application

L'application Bowers & Wilkins Headphones permet de réaliser la configuration et des ajustements étendus pour certaines fonctionnalités telles que l'annulation adaptative du bruit, l'Ambient Pass-Through et les capteurs de port de vos écouteurs. L'application propose également d'autres personnalisations telles que le prompt vocal, le niveau de l'Ambient Pass-through, la gestion des connexions, et les mises à jour logicielles de votre casque. L'application est disponible en téléchargement gratuit pour les appareils iOS et Android.

Pour ajouter vos écouteurs à l'application :

1. Depuis votre appareil mobile, téléchargez et installez l'application Bowers & Wilkins Headphones.
2. Lancez l'application, puis lisez et suivez les instructions relatives aux notifications et aux autorisations attribuées à l'application
3. Après avoir atteint l'écran principal, appuyez simplement sur + et suivez les instructions intégrées à l'application.

#### 6.4 Mise à jour du logiciel du casque

Bowers & Wilkins mettra occasionnellement à disposition des mises à jour logicielles qui affinent et optimisent les performances de vos écouteurs ou ajoutent de nouvelles fonctionnalités.

L'application casque Bowers & Wilkins vous enverra une notification lorsqu'une mise à jour logicielle est disponible, appuyez sur la notification et suivez les instructions dans l'application.

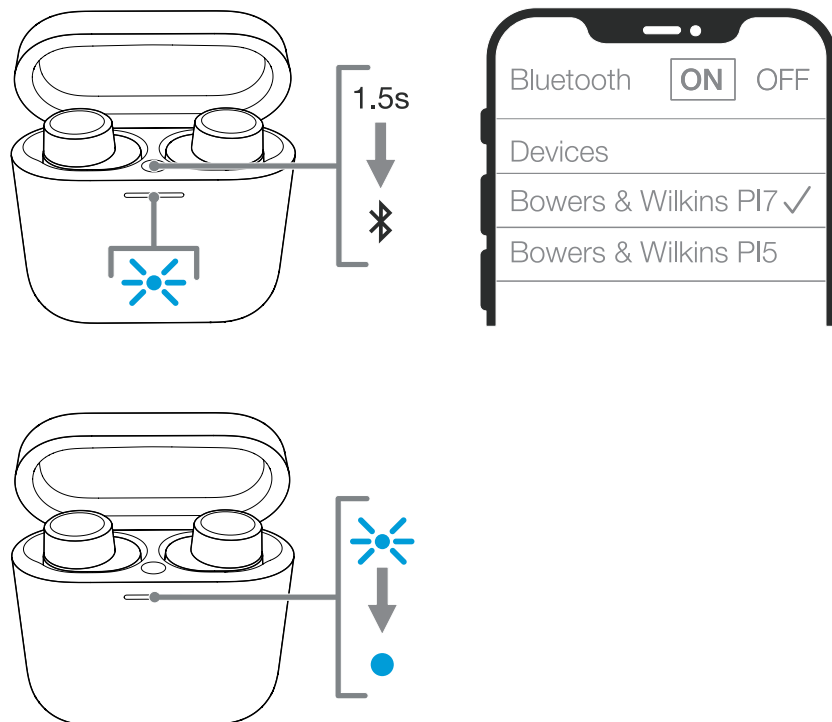


Schéma 5  
Jumelage Bluetooth - appareil source

## 7. Comment porter vos écouteurs

Un port correct de vos écouteurs vous permettra de profiter de la meilleure expérience possible, voir le Schéma 6. Comme de nombreux écouteurs intra-auriculaires, les écouteurs PI7 sont conçus pour venir sceller le conduit auditif pour un fonctionnement optimal. Les embouts auriculaires sont disponibles en trois tailles (petit, moyen et grand). Trouver la taille qui soit parfaitement adaptée à votre oreille est essentiel pour obtenir une bonne étanchéité et assurer à votre PI7, ainsi qu'à ses fonctionnalités avancées comme la suppression de bruit adaptative un fonctionnement optimal.

1. Identifiez les écouteurs gauche et droit à l'aide des indications L et R situées sur le côté intérieur de chaque écouteur.
2. Placez les écouteurs dans vos oreilles et tournez chaque écouteur légèrement vers l'arrière pour que l'embout s'engage confortablement dans l'ouverture du conduit auditif.
3. Si l'embout de l'écouteur est trop grand ou trop petit, essayez un embout d'oreille d'une autre taille pour réaliser le meilleur ajustement possible.

*Remarque : pour optimiser la qualité des appels, veuillez vous assurer que le microphone situé sous l'écouteur est bien tourné vers l'extérieur, voir Schéma 6.*

## 8. Streaming multimédia

### 8.1 Connectez votre boîtier à une source multimédia avec le câble USB -C vers jack 3,5 mm fourni ou le câble USB- C vers USB -C pour le streaming multimédia en continu, voir Schéma 7.

1. Connectez le câble fourni au boîtier et au périphérique source.
2. Votre PI7 démarrera le streaming automatiquement.

*Remarque : pour les utilisateurs Mac, et pour la première diffusion en streaming, allez dans le menu de contrôle de sortie dans Réglage du son et sélectionnez "Bowers & Wilkins PI7".*

### 8.2 Couplage d'un casque secondaire/autre (UNIQUEMENT Bowers & Wilkins) au boîtier pour le streaming multimédia en continu, voir le Schéma 8.

Votre boîtier peut également être associé à un autre casque Bowers & Wilkins pour le streaming multimédia :

1. Connectez le câble fourni au boîtier et au périphérique source.
2. Appuyez sur le bouton externe et maintenez-le enfoncé pendant 3 secondes jusqu'à ce que la LED clignote en bleu.
3. Mettez le casque en mode jumelage.
4. La LED du boîtier passe en bleu continu pour indiquer que la connexion est réalisée.
5. Une fois jumelé, appuyez sur le bouton externe du boîtier :
  - 1x pour démarrer le streaming
  - 2x pour arrêter le streaming

*Remarque : les deux écouteurs doivent être à l'intérieur du boîtier lors de l'utilisation du casque secondaire. Une fois que l'autre casque a été jumelé, l'historique de jumelage sera supprimé.*

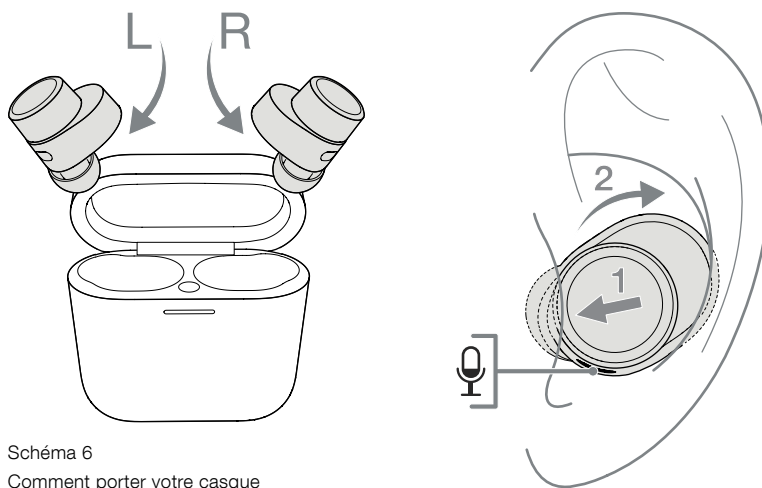


Schéma 6  
Comment porter votre casque

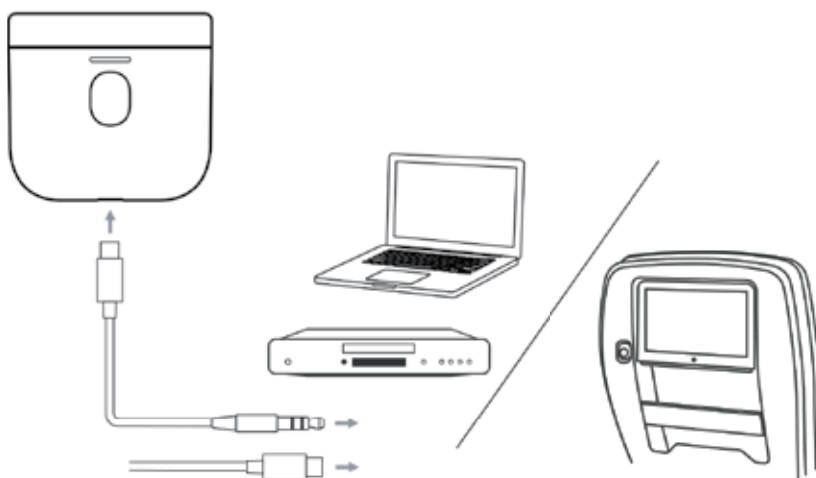


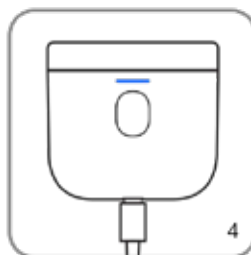
Schéma 7  
Streaming Multimédia



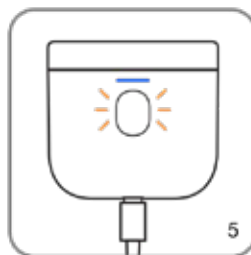
Connectez le boîtier à la source.

Pressez le bouton pendant 3 secondes, la lumière clignote en bleu.

Mettez l'autre casque en mode jumelage.



L'indicateur passe en bleu continu quand le jumelage est réussi.



Appuyez une fois sur le bouton pour démarrer le streaming, deux fois pour l'arrêter.

Schéma 8  
Diffusion/streaming sans fil vers un autre casque

## 9. Réinitialisation/Dépannage

### 9.1 Réinitialisation usine

Vous pouvez effacer l'historique des appareils jumelés et restaurer tous les réglages à leurs valeurs par défaut.

Pour réinitialiser les écouteurs en mode usine, ouvrez le boîtier de charge avec les écouteurs placés à l'intérieur. Appuyez et maintenez le bouton à l'intérieur du boîtier pendant 5 secondes puis libérez-le. L'indicateur lumineux situé sur le boîtier deviendra rouge pour indiquer que la réinitialisation usine a bien été effectuée.

*REMARQUE : au cas où les écouteurs ne fonctionneraient pas correctement, effectuez une seconde réinitialisation usine pour résoudre le problème.*

### 9.2 Réinitialisation matérielle

Pour effectuer une réinitialisation matérielle de vos écouteurs, ouvrez le boîtier avec les écouteurs placés à l'intérieur. Appuyez sur le bouton à l'intérieur du boîtier et maintenez-le enfoncé pendant 15 secondes jusqu'à ce que l'indicateur LED s'éteigne et se rallume en vert, ce qui indique que la réinitialisation matérielle a bien été effectuée.

*REMARQUE : En cas de panne grave du système (LED allumée en rouge fixe), effectuez une réinitialisation matérielle.*

## 10. Entretien de vos écouteurs

Vos écouteurs peuvent être nettoyés avec un chiffon humide en les tamponnant doucement jusqu'à ce qu'ils soient propres. N'utilisez pas de produits de nettoyage, de détergents, de l'alcool, des nettoyants chimiques/du polish, cela pourrait endommager vos écouteurs.

## 11. Service/Assistance

Si vous avez besoin d'aide pour résoudre un problème spécifique, ou avez simplement une question à laquelle vous aimeriez une réponse, veuillez d'abord consulter le support de la section sur le site web de Bowers & Wilkins : [www.bowerswilkins.com](http://www.bowerswilkins.com).

## Spécifications

Caractéristiques techniques	Technologie True Wireless Bluetooth 5.0 avec aptX Adaptative Réduction de Bruit Active (ANC) Streaming audio depuis le boîtier de recharge Rechargement USB-C et sans fil Compatible Charge Rapide
Formats Numériques Bluetooth	aptX™ – Adaptative aptX™ – HD aptX™ – Low Latency aptX™ – Classic AAC SBC
Profils Bluetooth	A2DP v1.3.1 AVRCP v1.6.1 HFP v1.7.1 HSP v1.2 BLE GATT (Generic Attribute Profile)
Bande de fréquence	Mode TX : 2402 Mhz à 2480 Mhz, Bande ISM Mode RX : 2402 Mhz à 2480 Mhz, Bande ISM
Puissance de sortie RF	< 10.0 dBm
Haut-parleurs	Dynamic Drive 9.2 mm + Balanced Armature Drive
Gamme de fréquence	10 Hz – 20 kHz
Distorsion	< 0.3 % (1 kHz/10 mW)
Autonomie	Jusqu'à 4 heures en Bluetooth
Charge rapide	15 minutes de charge pour deux heures en Bluetooth
Entrées	Bluetooth
Poids	Ecouteurs 7 g, boîtier de recharge 61 g

## Willkommen bei Bowers & Wilkins und PI7

Vielen Dank, dass Sie sich für Bowers & Wilkins entschieden haben. Als John Bowers unser Unternehmen gründete, war er überzeugt, dass ein innovatives Design sowie beste Ingenieurskunst und zukunftsweisende Technologien der Schlüssel für ein einzigartiges Klangerlebnis in Ihrem Zuhause sind.

Der Bowers & Wilkins PI7 ist ein hochwertiger In-Ear-Kopfhörer, der den Hörer mit bester Klangqualität, kabelloser Freiheit und dank adaptiver Geräuschunterdrückung mit einem erstklassigen Nutzererlebnis verwöhnt. In dieser Bedienungsanleitung erfahren Sie alles, was Sie wissen müssen, um Ihren PI7-Kopfhörer optimal nutzen zu können.

Die Musik kann via Bluetooth kabellos von Ihrem Handy, Tablet oder Computer zum PI7 gestreamt werden. Der PI7 kann aber auch zum kabellosen Telefonieren genutzt werden.

Zu den Real-World-Listening-Funktionen des PI7 gehören unsere jüngsten Innovationen in den Bereichen Geräuschunterdrückung (Adaptive Noise Cancellation), Umgebungfilter (Ambient Pass-Through) sowie verbesserte Näherungssensor-Technologien. Unsere Geräuschunterdrückung der neuesten Generation wurde von Grund auf mit intelligenten Umgebungserkennungsfunktionen entwickelt und wählt automatisch die für Ihre Umgebung am besten geeignete Geräuschunterdrückungsart aus. Einziges Ziel ist es, ein kompromissloses Hörerlebnis zu bieten. Dank der Umgebungfilter-Funktion sind externe Geräusche, wie Gespräche oder Sicherheitsansagen, deutlich hörbar, sodass Sie den Kopfhörer nicht abnehmen müssen. Die Näherungssensor-Funktion sorgt dafür, dass der PI7 Ihre Musik automatisch pausiert, wenn Sie einen Ohrhörer aus dem Ohr nehmen. Die Musikwiedergabe wird fortgesetzt, sobald Sie den Ohrhörer wieder einsetzen. Diese Funktionen können über die Bowers & Wilkins Headphones App, die kostenlos auf iOS- und Android-Geräten verfügbar ist, aktiviert und weiter angepasst werden.

Der PI7 wird mit einem wiederaufladbaren Lade Case geliefert. Abhängig von der Bluetooth-Nutzung, dem Einsatz der Geräuschunterdrückung und des Umgebungfilters sind bei aktivierter Geräuschunterdrückung und durchschnittlichen Lautstärkepegeln bis zu 20 Stunden Musikwiedergabe möglich.

## 1. PI7 Kartoninhalt

PI7 Kopfhörer mit Ohrstöpseln (M)  
Ladecase  
USB-C-Ladekabel und USB-C auf 3,5-mm-Audiokabel  
Ohrstöpsel (S/L)  
Beiliegende Literatur

## 2. Lernen Sie Ihren PI7 kennen

### 2.1 Kopfhörer ein- und ausschalten

#### Ein-/Ausschalten

Der PI7 hat keinen Ein-/Ausschalter, stattdessen erfolgt das Powermanagement automatisch. Ihre PI7-Ohrhörer werden automatisch geladen, sobald sie in das Ladecase gelegt werden, und sind somit einsatzbereit, wenn sie wieder entnommen werden.

Wenn die Ohrhörer aus dem Ladecase genommen und 5 Minuten lang nicht benutzt werden, wechseln sie in den Energiesparmodus. Um den Energiesparmodus zu beenden, verwenden Sie die Ohrhörer erneut, indem Sie sie mit einem gepaarten Gerät koppeln, Audio streamen oder die Ohrhörer in Ihre Ohren einsetzen.

### 2.2 Kopfhörer-Steuerung

Jeder Ohrhörer verfügt über eine Multifunktions-taste an der oberen Kappe des Ohrhörers (siehe Abbildung 1). Folgende Bedienfunktionen sind möglich:

#### Medienwiedergabe:

Funktion	Bedienung
Wiedergabe oder Pause	Multifunktions-taste einmal drücken.
Nächsten Titel abspielen	Multifunktions-taste zweimal kurz hintereinander drücken.
Vorherigen Titel abspielen	Multifunktions-taste dreimal kurz hintereinander drücken.

#### Telefonanruf-funktion:

Funktion	Bedienung
Anruf beantworten	Wenn ein Anruf eingeht, einmal die Multifunktions-taste drücken.
Anruf beenden	Wenn ein Anruf eingeht, zweimal die Multifunktions-taste kurz hintereinander drücken.
Eingehenden Anruf ablehnen	Wenn ein Anruf eingeht, zweimal die Multifunktions-taste kurz hintereinander drücken.

## 3. Intelligente Funktionen

### 3.1 Adaptive Geräuschunterdrückung

Mit Hilfe der Geräuschunterdrückung können unerwünschte Geräusche aus der Umgebung entfernt werden.

Der PI7 ist mit unseren jüngsten Innovationen in der adaptiven Geräuschunterdrückung ausgestattet, einschließlich intelligenter Sensorik, die die Geräuschunterdrückung und -abstimmung an Ihre Umgebung anpasst. Wenn sich Ihre Umgebung ändert, passt sich die Geräuschunterdrückung automatisch an Ihre neue Umgebung an.

Die Geräuschunterdrückungsfunktion wird aktiviert, indem Sie die Multifunktions-taste des linken Ohrhörers (L) 1 Sekunde lang drücken. Wenn Sie die Taste weiter jeweils 1 Sekunde drücken, werden folgende Modi nacheinander aktiviert: Ein, Auto oder Aus. Abbildung 2 zeigt die Position der Taste.

Modus	Anwendung
Ein	Entfernt unerwünschte Umgebungsgeräusche.
Auto	Passt die Geräuschunterdrückung auf intelligente Weise an Ihre aktuelle Umgebung an.
Aus	Deaktiviert die Geräuschunterdrückungsfunktion.

### 3.2 Sprachassistent

Der Sprachassistent wird aktiviert, indem Sie die Multifunktions-taste am rechten (R) Ohrhörer 1 Sekunde lang drücken. Abbildung 2 zeigt die Position der Taste.

### 3.3 Umgebungsfilter

Dank des Umgebungsfilters des PI7 kann der Nutzer bestimmte Geräusche (z. B. Gespräche oder Sicherheitsansagen) hören, ohne die Ohrhörer herausnehmen zu müssen.

Der Umgebungsfilter kann über die Bowers & Wilkins-Kopfhörer-App aktiviert oder deaktiviert werden. Die Durchlässigkeit für Umgebungsgeräusche (Hoch/Niedrig/Aus) kann über die App an Ihre Bedürfnisse angepasst werden.

### 3.4 Näherungssensoren

Der PI7 verfügt über unsere jüngste, optimierte Bewegungssensorik in beiden Ohrhörern. Mit Hilfe der Sensoren kann der Akku geschont werden, indem der Kopfhörer in den Energiesparmodus wechselt, wenn die Ohrhörer herausgenommen werden. Beim erneuten Einsetzen aktiviert sich der PI7 automatisch und verbindet sich mit dem zuletzt verwendeten Bluetooth-Gerät.

Die Sensoren unterbrechen zudem die Musikwiedergabe, wenn die Ohrhörer aus den Ohren genommen werden. Die Wiedergabe wird fortgesetzt, sobald Sie die Ohrhörer wieder einsetzen. Das automatische Fortsetzen der Wiedergabe wurde weiter auf Benutzerfreundlichkeit optimiert.

Der Näherungssensor kann über die Bowers & Wilkins Kopfhörer-App deaktiviert werden.

*Hinweis: Achten Sie beim Einsetzen der Ohrhörer besonders darauf, dass keine Haare oder Accessoires zwischen Ihren Ohren und den Ohrhörern eingeklemmt werden. Diese können die Näherungssensorik stören.*

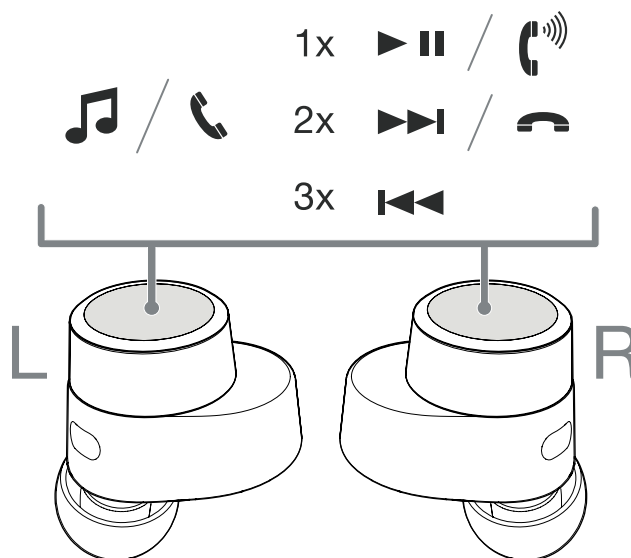


Abbildung 1  
Multifunktions-taste

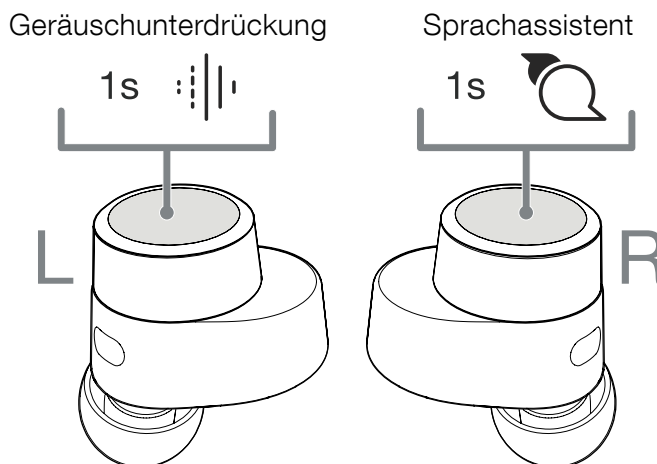


Abbildung 2  
Kopfhörer-Bedienelemente

#### 4. Aufbewahren der Ohrhörer

Wenn Sie die PI7 Ohrhörer nicht benutzen, sollten Sie sie im Ladecase aufbewahren, wo sie für den nächsten Einsatz wieder aufgeladen werden.

#### 5. Aufladen des Akkus

Der PI7 wird mit teilweise aufgeladenen Akkus geliefert und kann sofort verwendet werden. Es hat sich jedoch bewährt, den Akku der Ohrhörer vor dem ersten Gebrauch vollständig aufzuladen. Das vollständige Aufladen kann bis zu 3 Stunden dauern.

So laden Sie die PI7-Ohrhörer auf:

1. Legen Sie die PI7-Ohrhörer in das Ladecase.
2. Schließen Sie den Ladecase-Deckel.

So laden Sie das PI7-Ladecase auf:

1. Bitte verwenden Sie das mitgelieferte Ladekabel und verbinden Sie den USB-Stecker mit einem USB-Ladegerät oder der USB-Buchse eines Computers.
2. Schließen Sie dann das USB-C-Ende an die USB-C-Buchse des Ladecase an.

*Hinweis: Während des Ladens blinkt die LED grün. Ist der Akku vollständig geladen, leuchtet die LED dauerhaft. Das Ladecase kann mit oder ohne die eingelegten Ohrhörer geladen werden.*

So laden Sie das PI7-Ladecase an einer kabellosen Ladestation auf:

1. Platzieren Sie das Ladecase auf einer kabellosen Ladestation.
2. Achten Sie darauf, dass der Ladecase mit der Rückseite auf der Ladestation aufliegt (Ladecase-LED weist nach oben).

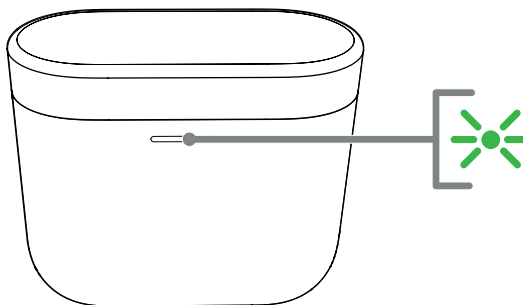
*Hinweis: Während des Ladens blinkt die LED grün. Ist der Akku vollständig geladen, leuchtet die LED dauerhaft.*

##### 5.1 Statusanzeige

Die Statusanzeige befindet sich auf der Vorderseite am Ladecase. Wenn die Ohrhörer in das Ladecase gelegt werden, zeigt die LED Informationen über die Ohrhörer an. Wenn die Ohrhörer aus dem Ladecase entnommen werden, zeigt die LED Informationen zum Ladecase an. Siehe Abbildung 3 für LED-Zustände.

##### 5.2 Akkustand kontrollieren

Sie können den Akkustand des Ladecase kontrollieren, indem Sie die Taste an der Außenseite einmal drücken. Wenn beide Ohrhörer im Ladecase verstaut sind, drücken Sie dieselbe Taste zweimal, um den Akkustand der Ohrhörer anzuzeigen. Abbildung 4 zeigt die Position dieser Taste.



Mit Ohrhörern im Ladecase

Anzeige	Betriebszustand
Grün (Ladecase-Deckel offen)	Ohrhörer-Akkuladung >40 %
Gelb (nach dem Einschalten)	Ohrhörer-Akkuladung >20%, <40%
Rot (nach dem Einschalten)	Ohrhörer-Akkuladung <20 %
Rot (blinkend)	Ohrhörer auf Werkseinstellungen zurückgesetzt
Rot (konstant)	Hardware-Reset / Systemabsturz
Blau (blinkend)	Pairing-Modus aktiviert
Blau (3 Sek. konstant)	Pairing erfolgreich

Ohne Ohrhörer im Ladecase

Anzeige	Betriebszustand
Grün (Ladecase-Deckel offen)	Akkuladung >40 %
Gelb (nach dem Einschalten)	Akkuladung >20%, <40%
Rot (nach dem Einschalten)	Akkuladung <20 %
Rot (blinkend)	Auf Werkseinstellungen zurückgesetzt
Rot (konstant)	Hardware-Reset / Systemabsturz

Abbildung 3  
Statusanzeige

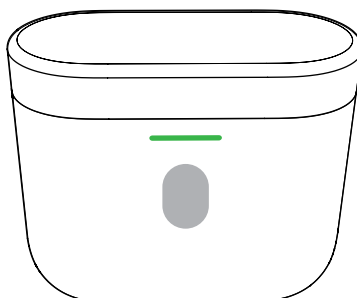


Abbildung 4  
Ladecase und Ohrhörer-Akkuanzeige



## 6. Bluetooth-Verbindung

### 6.1 Bluetooth-Kopplung

Der PI7 dient zum kabellosen Musik-Streamen von Bluetooth-Audiogeräten wie Smartphones, Tablets oder PCs. Dazu müssen Kopfhörer und Gerät zunächst gekoppelt werden.

Wenn Sie Ihre PI7-Ohrhörer erhalten, können diese mit jedem Bluetooth-Audiogerät gekoppelt werden.

#### 6.1.1 iOS-System / Android-System ohne Google FastPair.

1. Laden Sie die Bowers & Wilkins Headphone App herunter.
2. Öffnen Sie den Ladecase-Deckel, die LED blinkt blau.
3. Gehen Sie zum Bluetooth-Pairing-Menü Ihres Gerätes und wählen Sie „Bowers & Wilkins PI7“ aus der Geräteliste.
4. Die LED am Ladecase wechselt zu durchgehend blau, um anzuzeigen, dass die Kopplung erfolgreich war.
5. Öffnen Sie die Bowers & Wilkins-App und fügen Sie die Kopfhörer hinzu.

*Hinweis: Ihr Kopfhörer verlässt den Bluetooth-Kopplungsmodus automatisch, wenn fünf Minuten lang keine Kopplung mit einem Gerät stattgefunden hat. Wenn die Kopplung fehlschlägt, blinkt die Anzeige schnell blau. Bitte versuchen Sie die Kopplung erneut.*

Zum Koppeln mit einem weiteren Gerät. Siehe Abbildung 5:

1. Legen Sie die Ohrhörer in das Ladecase und öffnen Sie den Deckel.
2. Halten Sie die Taste im Ladecase 1 bis 5 Sekunden lang gedrückt. Die LED blinkt blau.
3. Gehen Sie zum Bluetooth-Pairing-Menü Ihres neuen Gerätes und wählen Sie „Bowers & Wilkins PI7“ aus der Geräteliste.
4. Die LED am Ladecase wechselt zu durchgehend blau, um anzuzeigen, dass die Kopplung erfolgreich war.

Der PI7 kann sich bis zu 3 gekoppelte Bluetooth-Geräte merken. Wiederholen Sie die obigen Schritte, um weitere Geräte zu koppeln.

*Hinweis: Ihr Kopfhörer verlässt den Bluetooth-Kopplungsmodus automatisch, wenn fünf Minuten lang keine Kopplung mit einem Gerät stattgefunden hat. Wenn die Kopplung fehlschlägt, blinkt die Anzeige schnell blau. Bitte versuchen Sie die Kopplung erneut.*

### 6.1.2 Google FastPair (für Android-Systeme mit integrierter GFP-Funktion)

So fügen Sie Ihre Kopfhörer hinzu:

1. Stellen Sie das Ladecase nicht weiter als 10 cm vom Android-Gerät (mit aktiviertem Bluetooth) entfernt auf und öffnen Sie den Ladecase-Deckel.
2. Es erscheint ein GFP-Benachrichtigungsfenster (Google FastPair) mit der Meldung „Bowers & Wilkins PI7 erkannt“, das Sie auffordert, den Kopplungsvorgang zu starten.
3. Tippen Sie im Fenster auf die Schaltfläche, um das Pairing zu erlauben. Die erfolgreiche Verbindung wird im GFP-Fenster angezeigt.
4. Nach der Kopplung:
  - o Das GFP-Fenster leitet Sie zum Google Play Store, um die Bowers & Wilkins-App herunterzuladen und zu installieren.
  - o Der L/R-Ohrhörer und der Akkustand des Ladecase werden im GFP-Fenster angezeigt

### 6.2 Verbindung zu einem Gerät trennen

Sie können den PI7 schnell von einem Gerät trennen, indem Sie die Ohrhörer wieder in das Ladecase einlegen. Alternativ können Sie die Verbindung mit der Bowers & Wilkins Headphones App verwalten.

### 6.3 App-Funktionen

Die Bowers & Wilkins Kopfhörer-App bietet erweiterte Einstellungs- und Anpassungsmöglichkeiten für Funktionen wie adaptive Geräuscherdrückung, Umgebungsfilter und Näherungssensoren. Die App ermöglicht zudem weitere Anpassungen wie Sprachansage, Durchlässigkeit für Umgebungsgeräusche, Verbindungsmanagement und Software-Updates für die Kopfhörer. Diese App steht für iOS- und Android-Geräte kostenlos zum Download bereit.

So fügen Sie Ihre Kopfhörer hinzu:

1. Laden Sie die Bowers & Wilkins Headphones App auf Ihrem Mobilgerät herunter und installieren Sie diese.
2. Starten Sie dazu die App und befolgen Sie die Anweisungen zu Benachrichtigungen und Berechtigungen der App.
3. Tippen Sie im Hauptbildschirm der App einfach auf + und folgen Sie den Anweisungen in der App.

### 6.4 Software-Updates für die Kopfhörer

Bowers & Wilkins stellt gelegentlich Software-Updates zur Verfügung, mit denen Sie die Leistung Ihrer Kopfhörer optimieren oder neue Funktionen hinzufügen können.

Die Bowers & Wilkins Headphones App benachrichtigt Sie, wenn ein Software-Update verfügbar ist. Tippen Sie auf die Benachrichtigung und folgen Sie den Anweisungen in der App.

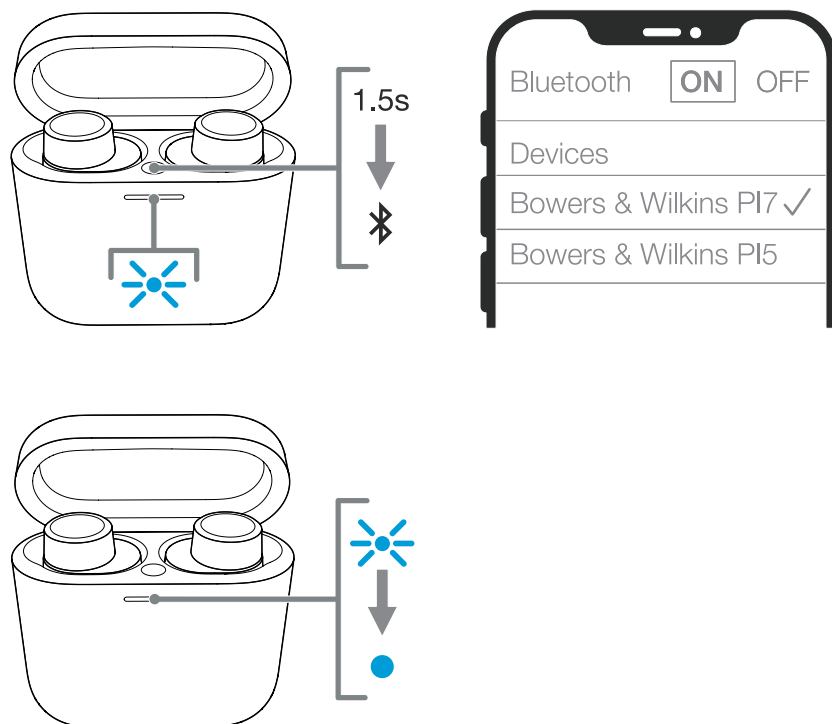


Abbildung 5  
Bluetooth-Pairing - zweites Gerät

## 7. Einsetzen der Ohrhörer

Das korrekte Einsetzen der Ohrhörer trägt dazu bei, dass Sie den bestmöglichen Klang erzielen (siehe Abbildung 6). Wie viele In-Ear-Kopfhörer sind die PI7-Ohrhörer so konzipiert, dass sie den Gehörgang abdichten, um eine optimale Leistung zu erzielen. Ohrstöpsel gibt es in drei Größen (klein, mittel und groß). Die richtige Größe für Ihr Ohr zu finden, ist entscheidend nicht nur für eine gute Abdichtung und ein optimales Klangerlebnis mit dem PI7, sondern auch damit erweiterte Funktionen wie die adaptive Geräuschunterdrückung optimal funktionieren.

1. Auf der Innenseite der Ohrhörer befinden sich Links-/Rechts-Markierungen, an denen Sie sich beim Einsetzen orientieren können.
2. Setzen Sie die Ohrhörer in das Ohr und drehen Sie den Ohrhörer leicht nach hinten, so dass die Stöpsel bequem im äußeren Gehörgang liegen.
3. Wenn sich die Ohrstöpsel zu groß oder zu klein anfühlen, versuchen Sie es mit einer anderen Ohrstöpselgröße, um die bestmögliche Passform zu gewährleisten.

*Hinweis: Achten Sie darauf, dass das Mikrofon unter dem Ohrhörer nach außen zeigt, um eine optimale Sprachverständlichkeit zu gewährleisten (siehe Abbildung 6).*

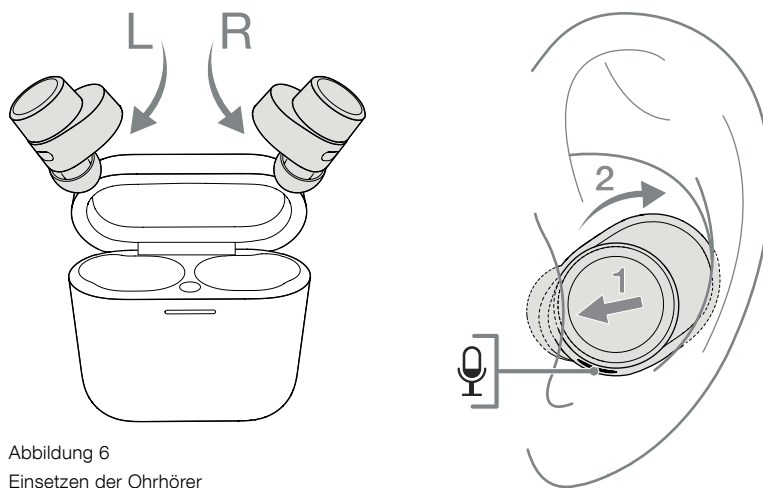


Abbildung 6  
Einsetzen der Ohrhörer

## 8. Medien-Streaming

### 8.1 Ladecase mit dem mitgelieferten USB-Typ-C-auf-3,5-mm- oder USB-Typ-C-auf-C-Kabel für Medien-Streaming an die Medienquelle anschließen (siehe Abbildung 7).

1. Schließen Sie das mitgelieferte Kabel an das Ladecase und das Quellgerät an.
2. Ihr PI7 beginnt automatisch mit dem Streaming.

*Hinweis: Für Mac-Benutzer, die zum ersten Mal streamen: Gehen Sie zur Ausgabesteuerung unter Sound-Einstellung und wählen Sie „Bowers & Wilkins PI7“*

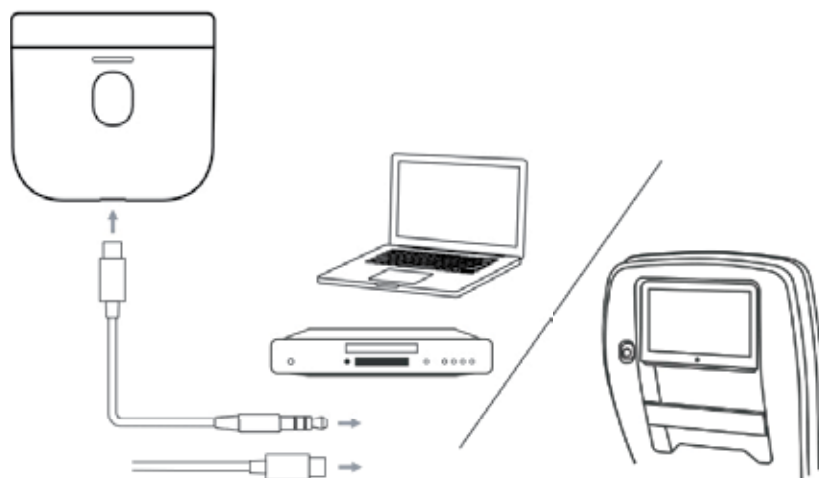


Abbildung 7  
Medien-Streaming

### 8.2 Koppeln eines zweiten/nachfolgenden Kopfhörers (NUR Bowers & Wilkins) mit dem Ladecase zum Medien-Streaming (siehe Abbildung 8).

Ihr Ladecase kann auch mit einem anderen Bowers & Wilkins-Kopfhörer für Media-Streaming gekoppelt werden

1. Schließen Sie das mitgelieferte Kabel an das Ladecase und das Quellgerät an.
2. Halten Sie die Außentaste 3 Sekunden lang gedrückt, bis die LED blau blinkt.
3. Schalten Sie den Kopfhörer in den Pairing-Modus.
4. Die Ladecase-LED leuchtet konstant blau, um anzuzeigen, dass die Verbindung hergestellt wurde.
5. Drücken Sie nach dem Koppeln die Außentaste:
  - 1x um das Streaming zu starten
  - 2x um das Streaming zu stoppen

*Hinweis: Bei Verwendung des zweiten Kopfhörers müssen sich beide Ohrhörer im Ladecase befinden. Sobald der nachfolgende Kopfhörer gekoppelt ist, wird der bisherige Kopplungsverlauf gelöscht.*

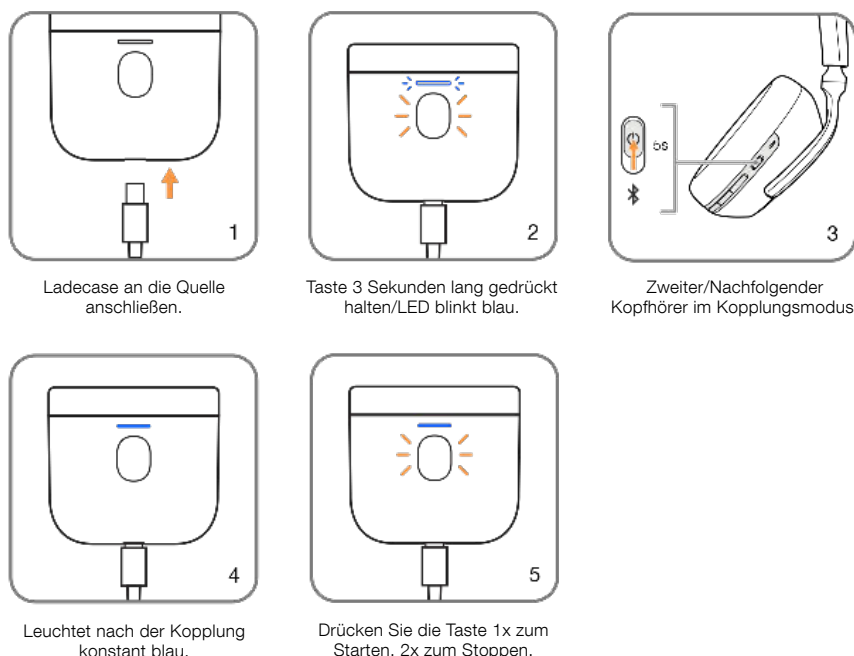


Abbildung 8  
Streaming mit zweitem/nachfolgendem Kopfhörer

## 9. Zurücksetzen/Fehlerbehebung

### 9.1 Auf Werkseinstellungen zurücksetzen

Sie können die Liste gepaarter Geräte löschen und alle Einstellungen auf die Werkvoreinstellung zurücksetzen.

Um die Ohrhörer auf die Werkseinstellungen zurückzusetzen, öffnen Sie das Ladecase mit den darin platzierten Ohrhörern. Halten Sie die Taste auf der Ladecase-Innenseite 5 Sekunden lang gedrückt und lassen Sie sie dann los. Die LED am Ladecase leuchtet rot, um das Zurücksetzen anzuzeigen.

*HINWEIS: Falls die Ohrhörer nicht korrekt funktionieren, setzen Sie sie bitte auf die Werkseinstellungen zurück, um das Problem zu beheben.*

### 9.2 Harter Reset

Um einen harten Reset durchzuführen, öffnen Sie das Ladecase mit den darin platzierten Ohrhörern. Halten Sie die Taste im Inneren des Ladecase 15 Sekunden lang gedrückt, bis die LED-Anzeige erlischt und grün leuchtet, um den Abschluss des Hard-Reset-Vorgangs anzuzeigen.

*HINWEIS: Führen Sie bei einem schwerwiegenden Systemabsturz (LED leuchtet konstant rot) einen Hard-Reset durch.*

## 10. Pflege Ihrer Kopfhörer

Ihre Ohrhörer können mit einem feuchten Tuch und sanftem Abtupfen gereinigt werden, bis sie sauber sind. Verwenden Sie keine Reinigungsmittel, Reinigungsalkohol oder chemische Reiniger/Politur, da dies Ihre Ohrhörer beschädigen kann.

## 11. Service / Support

Wenn Sie Hilfe bei der Behebung eines bestimmten Problems benötigen oder einfach nur eine Frage haben, die Sie gerne beantwortet hätten, besuchen Sie bitte zunächst den Support-Bereich für Kopfhörer auf der Bowers & Wilkins-Website: [www.bowerswilkins.com](http://www.bowerswilkins.com).

## Technische Daten

Technische Merkmale	True Wireless Technologie Bluetooth 5.0 mit AptX Adaptive Technologie Auto ANC Audio-Streaming aus dem Ladecase Kabelloses und USB-C-Laden Unterstützung für schnelles Laden
Bluetooth Codecs	AptX – Adaptive AptX – HD AptX – Low Latency AptX – Classic AAC SBC
Bluetooth-Profile	A2DP v1.3.1 AVRCP v1.6.1 HFP v1.7.1 HSP v1.2 BLE GATT (Generic Attribute Profile)
Frequenzband	Tx-Modus: 2402 MHz bis 2480 MHz, ISM Band Rx-Modus: 2402 MHz bis 2480 MHz, ISM Band
HF-Ausgangsleistung	<0r = 10,0 dBm
Treiber	9,2mm Dynamic Drive mit Balanced Armature
Frequenzbereich	10 Hz bis 20 kHz
Verzerrung (THD)	<0,3 % (1 kHz/10 mW)
Akkulaufzeit	Bis zu 4 Stunden Bluetooth
Laden	15 Minuten Laden = 2 Stunden Bluetooth
Eingänge	Bluetooth
Gewicht	7 g für Ohrhörer, 61 g für Ladecase

## Bienvenido a Bowers & Wilkins y a los PI7

Gracias por elegir Bowers & Wilkins. Cuando John Bowers fundó nuestra empresa, lo hizo con la firme creencia de que el diseño imaginativo, la ingeniería innovadora y la tecnología avanzada eran las claves que podrían desbloquear el disfrute del sonido en el hogar.

Los PI7 son unos auriculares intraaurales de altas prestaciones diseñados para proporcionar la mejor experiencia posible en audio personal móvil combinada con la comodidad del funcionamiento sin cables y la serenidad aportada por la cancelación de ruido. Este manual le explicará todo lo que usted necesita saber para sacar el máximo provecho de sus auriculares PI7.

Sus PI7 pueden reproducir música por streaming sin cables vía Bluetooth desde su teléfono móvil, tableta u ordenador. También pueden utilizarse para telefonía inalámbrica.

La funcionalidad Real World Listening de los PI7 incluye nuestras innovaciones más recientes en tecnologías como la Cancelación de Ruido Adaptativa (Adaptive Noise Cancellation), el Paso de Sonido Ambiente (Ambient Pass-Through) y el Sensor de Colocación (Wear Sensing) mejorado. Nuestra función de cancelación de ruido fue diseñada partiendo de cero con capacidades de detección ambiental inteligentes, seleccionando automáticamente el tipo de cancelación de ruido más apropiado para el ambiente que le rodea con el único objetivo de proporcionar una experiencia de escucha sin compromiso. Por su parte, el Paso de Sonido Ambiente (Ambient Pass-Through) permite que sonidos externos, como por ejemplo una conversación o avisos relacionados con la seguridad, puedan ser oídos claramente sin ninguna necesidad de quitarse los auriculares. En lo que respecta al Sensor de Colocación (Wear Sensing), permite a los PI7 responder de manera natural, interrumpiendo y reanudando la música simplemente levantando cualquiera de los cascos de su oreja. Estas funcionalidades pueden ser activadas, así como personalizadas, vía Bowers & Wilkins Headphone App, disponible gratuitamente para dispositivos iOS y Android.

Los PI7 incorporan una batería recargable. Cuando está completamente cargada, y dependiendo del grado de utilización de la conexión Bluetooth, la Cancelación de Ruido Adaptativa y el Paso de Sonido Ambiente, puede proporcionar hasta 20 horas de funcionamiento inalámbrico ininterrumpido a niveles de volumen intermedios y con la cancelación de ruido activada.

## 1. Contenido del Embalaje de los PI7

Auriculares PI7 con Tapones para los Oídos (M)  
Caja de Carga  
Cable USB-C para Carga y Cable de Audio USB-C a clavija de 3.5 mm  
Tapones para los Oídos (S/L)  
Paquete con Documentación

## 2. Conociendo sus PI7

### 2.1 Puesta en Marcha y Desactivación de los Auriculares

#### Puesta en Marcha/Desactivación

Los PI7 no incluyen un control de puesta en marcha, a la vez que la gestión de esta última es automática. Los tapones de sus PI7 se cargarán cuando sean colocados en la caja de carga y estarán listos para su uso cuando sean retirados de la misma.

Cuando sus tapones estén fuera de la caja de carga y no sean usados en el transcurso de 5 minutos, se situarán automáticamente en un modo de bajo consumo para ahorrar energía. Para salir del modo de ahorro de energía, comience utilizando de nuevo los auriculares conectando su dispositivo sincronizado, reproduciendo audio por streaming o colocando los auriculares en sus oídos.

### 2.2 Controles de los Auriculares

Cada tapón incluye un botón multifunción situado en la cubierta superior de aquél. Ver Diagrama 1. Los controles del botón multifunción son los siguientes:

#### Reproducción de Contenidos:

Función	Acción
Reproducción o pausa	Pulse el botón Multifunción una sola vez.
Reproducir pista siguiente	Pulse el botón Multifunción dos veces en sucesión rápida.
Reproducir pista anterior	Pulse el botón Multifunción tres veces en sucesión rápida.

#### Funcionalidad de llamadas telefónicas:

Función	Acción
Responder una llamada	Pulse el botón Multifunción una sola vez con la llamada entrante.
Finalizar una llamada	Cuando se produzca una llamada entrante, pulse el botón Multifunción dos veces en sucesión rápida.
Rechazar una llamada entrante	Pulse el botón Multifunción dos veces en sucesión rápida durante la llamada entrante.

## 3. Funcionalidades Inteligentes

### 3.1 Cancelación de Ruido Adaptativa

La cancelación de ruido es un conjunto de tecnologías avanzadas que contribuyen a eliminar el ruido no deseado del ambiente circundante.

Los PI7 incorporan nuestras innovaciones más recientes en cancelación de ruido adaptativa, incluyéndose entre las mismas una detección inteligente que adapta la cancelación de ruido efectuando el ajuste más adecuado al ambiente que le rodea. Puesto que su entorno cambia, la cancelación de ruido cambiará automáticamente para adaptarse a su nuevo ambiente.

La función de cancelación de ruido se activa pulsando el botón Multifunción del casco izquierdo (L) durante 1 segundo. Pulsaciones adicionales de 1 segundo permiten conmutar cíclicamente entre los modos siguientes: On, Auto y Off. Consulte el Diagrama 2 para la localización del botón.

Modo	Aplicación
On	Elimina ruido no deseado del ambiente circundante.
Automático (Auto)	Ajusta de manera inteligente la cancelación de ruido para que se adapte lo mejor posible al ambiente en el que usted está en ese momento.
Apagado (Off)	Desactiva la función de cancelación de ruido.

### 3.2 Asistente de Voz

La Asistencia por Voz se activa pulsando el botón Multifunción del casco derecho (R) durante 1 segundo. Consulte el Diagrama 2 para la localización del botón.

### 3.3 Paso de Sonido Ambiente (Ambient Pass-Through)

Los PI7 incluyen una función de paso de sonido ambiente que permite oír una parte del ruido externo de su ambiente circundante –caso de avisos de seguridad o conversaciones- sin necesidad de quitarlos.

El paso de sonido ambiente puede ser activado o desactivado utilizando la Bowers & Wilkins Headphones App. El nivel de paso de sonido ambiente –Alto/Bajo/Off- puede ser ajustado desde la App para que se adapte a sus necesidades.

### 3.4 Sensores de Colocación (Wear Sensors)

Los PI7 incorporan en ambos cascos nuestros nuevos sensores de colocación mejorados. Los sensores permiten conservar de manera inteligente la carga de la batería entrando en el modo de ahorro de energía cuando son retirados de los oídos. Cuando son colocados de nuevo, los PI7 se vuelven a activar automáticamente y se conectan al último dispositivo Bluetooth conectado.

Los sensores también interrumpirán la reproducción cuando uno de los auriculares sea retirado de sus oídos. Cuando uno cualquiera de los cascos vuelva a ser colocado en el oído, la reproducción se reanudará automáticamente. Dicha reanudación automática ha sido adicionalmente optimizada, por lo que estará lista sólo cuando usted lo esté.

El sensor de colocación puede desactivarse utilizando la Bowers & Wilkins Headphones App.

*Nota: Cuando se coloque sus auriculares, procure que no queden cabellos o accesorios atrapados entre sus orejas y los cascos ni lleve puestas gafas susceptibles de distorsionar el contorno de aquéllas ya que ello podría interferir con los sensores de proximidad.*

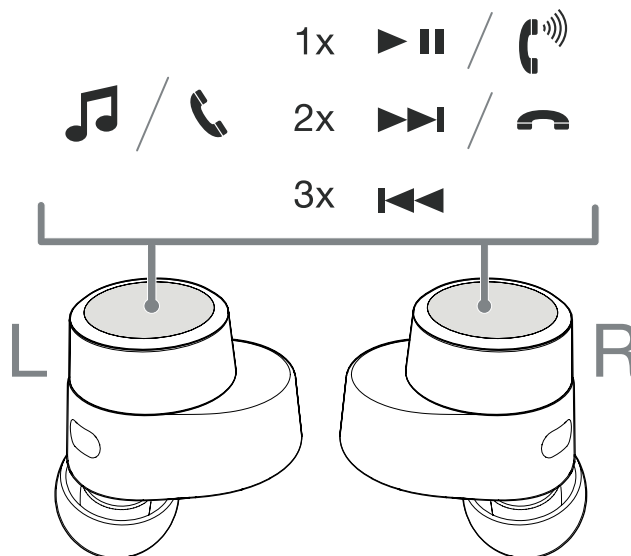


Diagrama 1  
Botón Multifunción

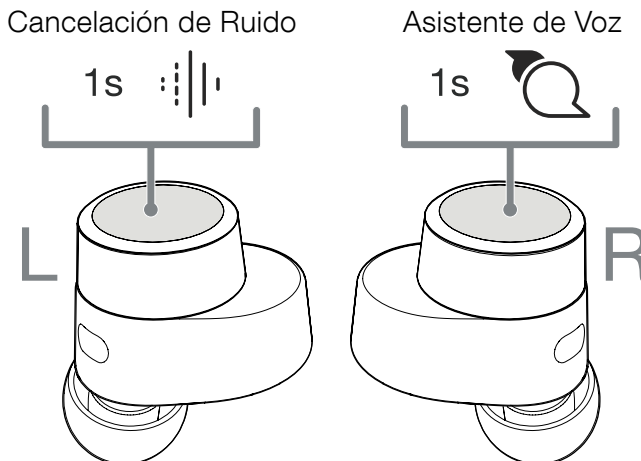


Diagrama 2  
Controles de los auriculares

#### 4. Guardando los Auriculares

Cuando no sean utilizados, los cascos de los PI7 deberían ser guardados en el interior de la caja de carga, donde serán recargados para que estén preparados para un uso futuro.

#### 5. Carga de la Batería

Los PI7 se suministran de serie con las baterías de los cascos y la caja de carga parcialmente cargadas y pueden ser utilizados inmediatamente. Para obtener los mejores resultados, le recomendamos que cargue por completo la batería de los auriculares antes de utilizarlos por primera vez. Le rogamos que espere un máximo de 3 horas para una carga completa.

Para cargar los cascos de los PI7:

1. Coloque los cascos de los PI7 en la caja de carga.
2. Cierre la tapa de la caja de carga.

Para cargar la caja de carga de los PI7:

1. Utilice el cable de carga USB suministrado de serie y conecte la clavija USB a un cargador mural o a una toma USB con alimentación de un ordenador.
2. A continuación conecte el extremo con conector USB-C a la toma USB-C de la caja de carga.

*Nota: Durante la carga, el indicador luminoso de la caja parpadeará en verde. Cuando la batería esté completamente cargada, el indicador permanecerá iluminado sin parpadear. La caja puede ser cargada con o sin los casos situados en su interior.*

Para cargar la caja de los PI7 con una estación de carga inalámbrica:

1. Coloque la caja de carga encima de una estación de carga inalámbrica.
2. Asegúrese de que la parte posterior de la caja de carga esté sobre la estación de carga (con el indicador luminoso de la caja enfrentado).

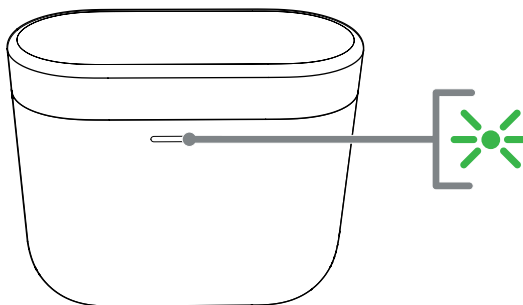
*Nota: Durante la carga, el indicador luminoso de la caja de carga parpadeará en verde. Cuando la carga se haya completado, el indicador permanecerá iluminado.*

##### 5.1 Indicador Luminoso de Estado

El indicador luminoso de estado está situado en parte frontal de la caja de carga. Cuando los cascos están en la caja de carga, el indicador luminoso LED de la misma proporcionará información sobre los mismos. Cuando los cascos son retirados de la caja de carga, el indicador luminoso LED proporciona información sobre el nivel de carga de la batería de la misma. Consulte el Diagrama 3 para los estados del citado LED.

##### 5.2 Comprobando los Niveles de la Batería

Puede comprobar el nivel de la batería de la caja de carga pulsando una sola vez el botón situado en la exterior de esta última. Cuando los dos cascos están almacenados en la caja, pulse dicho botón dos veces para ver el nivel de la batería de los mismos. Consulte el Diagrama 4 para la localización del botón.



Con los cascos en la caja de carga

Iluminación		Indicación
Verde (tapa de la caja abierta)		Nivel de carga de la batería de los cascos > 40%
Amarillo (después de la puesta en marcha)		Nivel de carga de la batería de los cascos > 20%, > 40%
Rojo (después de la puesta en marcha)		Nivel de carga de la batería de los cascos < 20%
Rojo parpadeante		Reinicialización de los cascos a los ajustes de fábrica
Rojo estacionario		Reinicialización de hardware / caída del sistema
Azul parpadeante		Modo de sincronización activado
Azul estacionario durante 3 segundos		Sincronización completada con éxito

Con los cascos fuera de la caja de carga

Iluminación		Indicación
Verde (tapa de la caja abierta)		Nivel de carga de la batería > 40%
Amarillo (después de la puesta en marcha)		Nivel de carga de la batería > 20%, > 40%
Rojo (después de la puesta en marcha)		Nivel de carga de la batería < 20%
Rojo parpadeante		Reinicialización a los ajustes de fábrica
Rojo estacionario		Reinicialización de hardware / caída del sistema

Diagrama 3  
Iluminaciones del indicador de estado

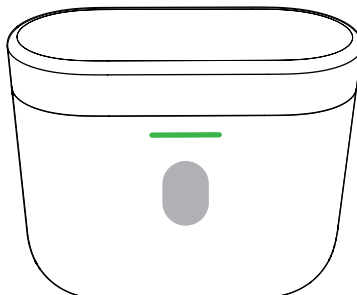


Diagrama 4  
Indicador de la batería de la caja de carga y los cascos

## 6. Conectividad Bluetooth

### 6.1 Sincronización

Sus auriculares intraaurales PI7 están diseñados para reproducir música por streaming inalámbrico desde dispositivos de audio Bluetooth, como por ejemplo teléfonos móviles inteligentes, tabletas u ordenadores. Para ello es necesario que previamente sincronice sus auriculares con el dispositivo de su elección.

Cuando desembale sus auriculares intraaurales PI7, estarán preparados para sincronizarse con cualquier dispositivo de audio Bluetooth.

#### 6.1.1 Sistema iOS / Sistema Android sin Google FastPair

1. Descargue la Bowers & Wilkins Headphone app.
2. Abra la tapa de la caja de carga. El indicador luminoso de la misma parpadeará en azul.
3. Diríjase al menú de sincronización Bluetooth de su dispositivo y seleccione "Bowers & Wilkins PI7" en la lista de dispositivos.
4. El indicador luminoso de la caja de carga cambiará a azul estacionario para confirmar que la sincronización se ha llevado a cabo con éxito.
5. Abra la app de Bowers & Wilkins y añada los auriculares.

*Nota: Sus auriculares saldrán automáticamente del modo de sincronización Bluetooth si no se sincroniza ningún dispositivo a los mismos en el transcurso de 5 minutos. Si la sincronización falla, el indicador luminoso parpadeará rápidamente en azul; en ese caso, le rogamos que intente llevar a cabo de nuevo la sincronización.*

Para sincronizar un nuevo dispositivo. Ver Diagrama 5:

1. Abra la tapa de la caja de carga con los cascos de los auriculares colocados en su interior.
2. Pulse y mantenga pulsado entre 1 y 5 segundos el botón interior de la caja de carga. El indicador luminoso de la caja de carga parpadeará en azul.
3. Diríjase al menú de sincronización Bluetooth de su nuevo dispositivo y seleccione "Bowers & Wilkins PI7" en la lista de dispositivos.
4. El indicador luminoso de la caja de carga cambiará a azul estacionario para confirmar que la sincronización se ha llevado a cabo con éxito.

Los PI7 pueden recordar hasta 3 dispositivos Bluetooth sincronizados. Para sincronizar más dispositivos, repita los pasos anteriores.

*Nota: Sus auriculares saldrán automáticamente del modo de sincronización Bluetooth si no se sincroniza ningún dispositivo a los mismos en el transcurso de 5 minutos. Si la sincronización falla, el indicador luminoso parpadeará rápidamente en azul; en ese caso, le rogamos que intente llevar a cabo de nuevo la sincronización.*

### 6.1.2 Google FastPair (Para Sistema Android integrado con Función GFP)

Para añadir sus auriculares:

1. Coloque la caja a un máximo de 10 cm del dispositivo Android (compatible BT) y ábrala.
2. Aparecerá una ventana de notificación GFP (Google FastPair) mostrando "Bowers & Wilkins PI7 detectados" y una solicitud para iniciar el proceso de sincronización.
3. Pulse el botón "Notificación" de la ventana para activar la sincronización, que en caso de llevarse a cabo con éxito se mostrará en la ventana GFP.
4. Una vez efectuada la sincronización:
  - o La ventana GFP le dirigirá a la Google Play store para descargar e instalar la Bowers & Wilkins App.
  - o Tanto el Nivel de la Batería de la Caja de Carga como de los Cascos podrá ser mostrado en la ventana GFP.

### 6.2 Desconexión de un Dispositivo

Usted puede desconectar rápidamente los PI7 de un dispositivo colocando de nuevo los cascos en la caja. De modo alternativo, puede gestionar la conexión con más detalle utilizando el menú Conexiones (Connections) de la app Bowers & Wilkins Headphones.

### 6.3 Características de la App

La app Bowers & Wilkins Headphones proporciona opciones de configuración y ajuste extendidas a funcionalidades como la Cancelación de Ruido Adaptativa, el Paso de Sonido Ambiente y los Sensores de Colocación. La app también proporciona personalizaciones adicionales en los avisos de voz, el nivel de paso de sonido ambiente, la gestión de conexiones y las actualizaciones de software de los auriculares. La app está disponible como una descarga gratuita en dispositivos iOS y Android.

Para añadir sus auriculares:

1. Desde su dispositivo móvil, descargue e instale la app Bowers & Wilkins Headphones.
2. Active la app y a continuación lea y siga las instrucciones referidas a los permisos y notificaciones de la misma.
3. Después de llegar a la pantalla principal, basta con que toque + y siga las instrucciones de la app.

### 6.4 Actualizaciones del Software de los Auriculares

De vez en cuando, Bowers & Wilkins pone a punto actualizaciones de software que refinan y optimizan el comportamiento de sus auriculares o añaden nuevas características a los mismos.

La app Bowers & Wilkins Headphones le enviará una notificación cada vez que esté disponible una actualización de software. En ese caso, toque la notificación y siga las instrucciones de la app.

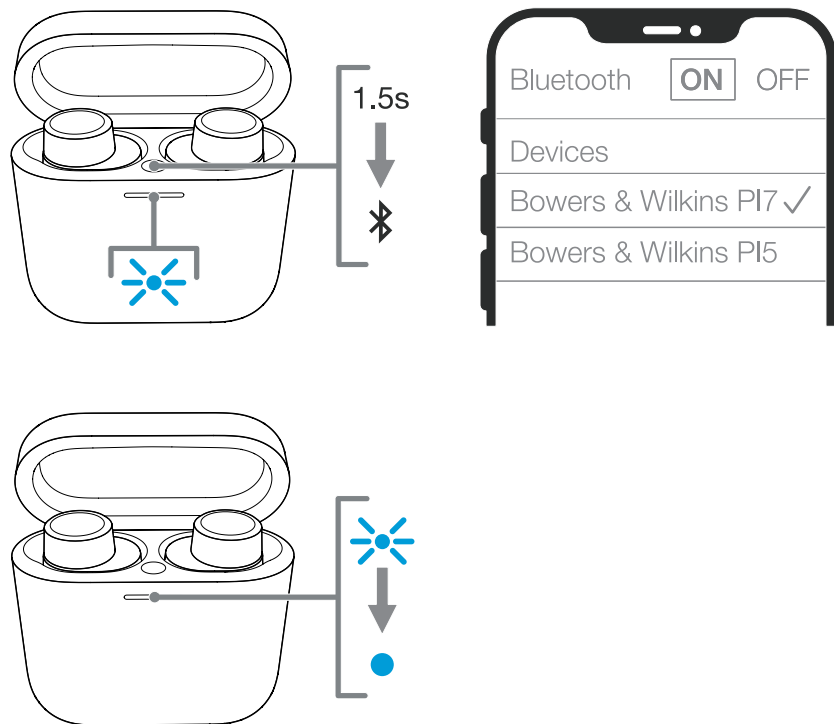


Diagrama 5

Sincronización Bluetooth – adición de nuevos dispositivos

## 7. Colocación de Sus Auriculares

La correcta colocación de sus auriculares le ayudará a asegurar la mejor experiencia posible. Ver Diagrama 6. Al igual que en muchos auriculares intraaurales, los cascos de los PI7 están diseñados para sellar el canal auditivo a fin de funcionar de manera óptima. Los tapones de los cascos se suministran en tres tamaños (pequeño, mediano y grande). Encontrar el tamaño adecuado para su oído es crítico a la hora de obtener un buen sellado y asegurar que tanto los PI7 como las avanzadas características que incorporan –como por ejemplo la Cancelación de Ruido Adaptativa- funcionen de manera óptima.

1. Identifique los cascos izquierdo y derecho buscando las inscripciones de identificación situadas en la cara interna de cada uno.
2. Coloque los auriculares en sus oídos correctamente y gire los tapones ligeramente hacia atrás para que se integren confortablemente en el canal auditivo.
3. Si da la sensación de que los tapones parecen demasiado grandes o demasiado pequeños, pruebe con otro tamaño para asegurar el mejor ajuste posible.

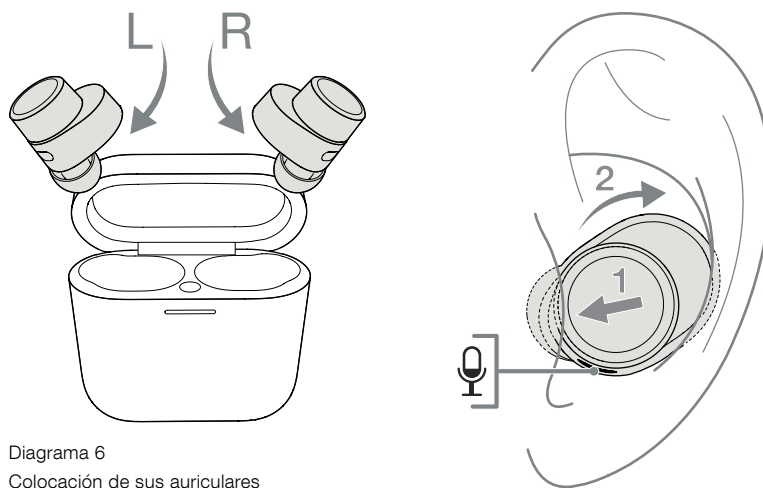


Diagrama 6  
Colocación de sus auriculares

*Nota: Para optimizar la calidad de las llamadas, le rogamos que se asegure de que el micrófono situado debajo del casco esté orientado hacia fuera, ver Diagrama 6.*

## 8. Streaming Multimedia

### 8.1 Para conectar su caja de carga a una fuente externa con el cable USB-C a clavija de 3'5 mm o USB-C a USB-C suministrado de serie para streaming multimedia, consulte el Diagrama 7.

1. Conecte el cable suministrado de serie a la caja y el dispositivo fuente.
2. Sus PI7 iniciarán el streaming automáticamente.

*Nota: Para los usuarios de Mac, la primera vez que vayan a realizar streaming deberán ir a control de salida en Ajuste de Sonido (Sound Setting) y seleccionar "Bowers & Wilkins PI7".*

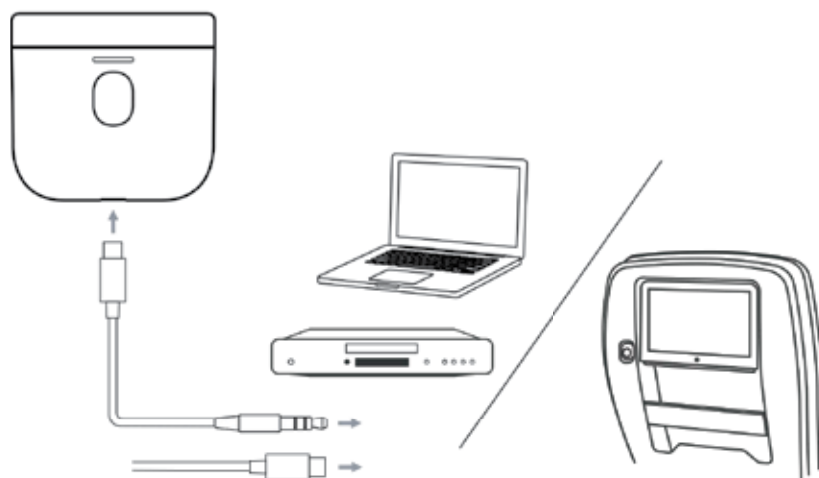


Diagrama 7  
Streaming multimedia

### 8.1 Para sincronizar auriculares secundarios/ subsiguientes (SÓLO de Bowers & Wilkins ) a la caja de carga. Consulte el Diagrama 8.

Su caja de carga también puede sincronizarse con otros Auriculares Bowers & Wilkins para streaming multimedia.

1. Conecte el cable suministrado de serie a la caja y el dispositivo fuente.
2. Pulse y mantenga pulsado el botón exterior durante 3 segundos hasta que el indicador luminoso parpadee en azul.
3. Sitúe los auriculares en el modo de sincronización.
4. El indicador luminoso de la caja cambiará a azul estacionario para indicar que la conexión ha sido completada.
5. Una vez completada la sincronización, pulse el botón externo de la caja:
  - 1 vez para INICIAR el streaming.
  - 2 veces para DETENER el streaming.

*Nota: Cuando utilice los auriculares secundarios, los dos cascos deben estar en el interior de la caja. Una vez que los auriculares subsiguientes son sincronizados, el historial de dispositivos sincronizados será borrado.*

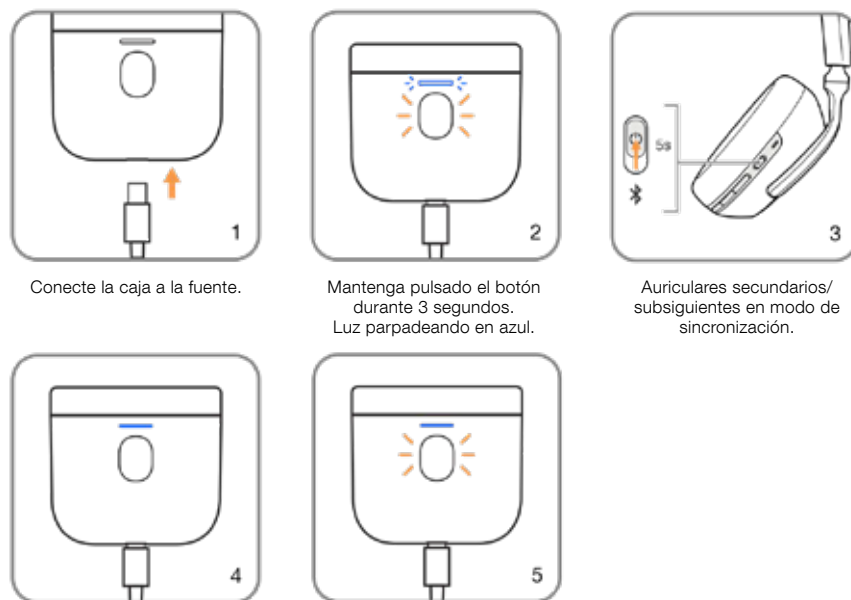


Diagrama 8  
Streaming con auriculares secundarios/subsiguientes



## 9. Reinicialización/Problemas y Posibles Soluciones

### 9.1 Reinicialización a los Ajustes de Fábrica

Si lo desea, puede borrar el historial de dispositivos sincronizados y restaurar todos los ajustes a sus valores de fábrica.

Para reinicializar los auriculares intraaurales a sus valores de fábrica, abra la caja de carga con los cascos colocados en su interior. Pulse y mantenga pulsado durante 5 segundos el botón del interior de la caja y libérela. El indicador luminoso de la caja se activará en rojo para confirmar la reinicialización.

*NOTA: En el caso de que los auriculares intraaurales no funcionen correctamente, le rogamos que lleve a cabo una reinicialización a los ajustes de fábrica para resolver el problema.*

### 9.2 Restablecimiento Completo (Hard Reset)

Para restablecer por completo los auriculares intraaurales, abra la caja de carga con los cascos colocados en su interior. Pulse y mantenga pulsado durante 15 segundos el botón del interior de la caja hasta que el indicador luminoso LED se apague y a continuación se active en verde para confirmar que el proceso de restablecimiento completo ha finalizado.

*NOTA: En el caso de que se produzca una caída importante del sistema (indicador luminoso LED en rojo estacionario), le rogamos que lleve a cabo un restablecimiento completo.*

## 10. Cuidando Sus Auriculares Intraaurales

Sus auriculares intraaurales pueden ser limpiados aplicándoles suavemente una gamuza humedecida. No utilice detergentes para limpieza ni frote con alcohol ni use limpiadores/abrillantadores químicos ya que podrían dañar sus auriculares intraaurales.

## 11. Mantenimiento / Soporte

En el caso de que necesitara ayuda para detectar un problema específico, o simplemente tiene una pregunta sobre la que desea respuesta, le rogamos que inicialmente visite el sitio de soporte de la sección de Auriculares (Headphones) del sitio web de Bowers & Wilkins: [www.bowerswilkins.com](http://www.bowerswilkins.com).

## Características Técnicas

Detalles Técnicos Relevantes	Tecnología True Wireless Bluetooth 5.0 con tecnología aptX Adaptive ANC automática Streaming inalámbrico desde caja de carga Carga inalámbrica y por USB-C Soporte para carga rápida
Codecs Bluetooth	AptX – Adaptive AptX – HD AptX – Low Latency AptX – Classic AAC SBC
Perfiles Bluetooth	A2DP v1.3.1 AVRCP v1.6.1 HFP v1.7.1 HSP v1.2 BLE GATT (Generic Attribute Profile)
Banda de Frecuencias	Modo Tx: 2.402 MHz a 2.480 MHz, Banda ISM Modo Rx: 2.402 MHz a 2.480 MHz, Banda ISM
Potencia de salida de radiofrecuencia	< 0r = 10 dBm
Transductores	Electrodinámicos de 9'2 mm con Armazón Balanceado
Rango de Frecuencias	10 Hz a 20 kHz
Distorsión (THD)	<0'3% (1 kHz/10 mW)
Autonomía de la Batería	Hasta 4 horas con Bluetooth
Carga	Carga de 15 minutos = 2 horas de autonomía con Bluetooth
Entradas	Bluetooth
Peso	7 g para los auriculares y 61 g para la caja de carga

## Bem-vindo à Bowers & Wilkins e aos PI7

Obrigado por ter optado pela Bowers & Wilkins. Quando John Bowers fundou a nossa empresa, acreditava que um design criativo, uma engenharia inovadora e uma tecnologia avançada eram as chaves que poderiam abrir as portas para se desfrutar do áudio em casa.

Os PI7 são auriculares de elevado desempenho concebidos para proporcionarem a maior qualidade de áudio móvel individual combinada com a conveniência do funcionamento sem fios e a tranquilidade do cancelamento de ruído. Este manual explica tudo o que precisa de saber para tirar o máximo partido dos seus auriculares PI7.

Os PI7 podem reproduzir música transmitida sem fios a partir do seu telemóvel, tablet ou computador através de Bluetooth. Os PI7 também podem ser utilizados para telefonia sem fios.

As funcionalidades Real World Listening dos PI7 incluem as nossas mais recentes inovações nas tecnologias de cancelamento adaptativo de ruído, pass-through de ambiente e deteção de utilização melhorada. A nossa funcionalidade de cancelamento de ruído de última geração foi concebida de raiz com capacidades inteligentes de deteção de ambiente, selecionando automaticamente o tipo adequado de cancelamento de ruído mais apropriado para o ambiente circundante. O seu único objetivo é proporcionar uma experiência de audição de qualidade. O pass-through de ambiente permite que os sons externos, tais como conversas ou anúncios de segurança, possam ser escutados claramente sem qualquer necessidade de remover os auscultadores. A funcionalidade de deteção de utilização permite que os PI7 respondam de forma natural, pausando e retomando a música simplesmente levantando cada um dos auriculares da orelha. Estas funcionalidades podem ser ativadas e mais personalizadas através da aplicação Bowers & Wilkins Headphones, disponível gratuitamente em dispositivos iOS e Android.

Os PI7 incluem uma caixa de bateria recarregável. Quando totalmente carregada, dependendo da utilização do Bluetooth, do cancelamento adaptativo de ruído e do pass-through de ambiente, a caixa da bateria pode proporcionar até 20 horas contínuas de transmissão em fluxo de conteúdos, com o cancelamento de ruído ativado a níveis médios de volume de reprodução.

## 1. Conteúdo da caixa dos PI7

Auriculares PI7 com capas (M)  
Caixa de carregamento  
Cabo de carregamento USB-C e de áudio USB-C para 3,5 mm  
Capas dos auriculares (S/L)  
Documentação

## 2. Conhecer os seus PI7

### 2.1 Ligar e desligar os auscultadores

#### Ligar/desligar

Os PI7 não possuem controlo de energia. Em vez disso, a gestão da energia é automática. Os seus auriculares PI7 carregarão automaticamente quando forem colocados na caixa de carregamento e estarão prontos a utilizar quando forem removidos da mesma.

Quando os auriculares são removidos da caixa de carregamento e não são utilizados durante 5 minutos, entram num modo de poupança de energia. Para sair do modo de poupança de energia, comece a utilizar os auriculares novamente ligando o seu dispositivo emparelhado, transmitindo áudio ou colocando os auriculares nas orelhas.

### 2.2 Controlos dos auscultadores

Cada auricular tem um botão multifunções situado na parte superior do auricular; consulte a Imagem 1. Os controlos do botão multifunções são os seguintes:

#### Reprodução de conteúdo multimédia:

Função	Ação
Reproduzir ou pausa	Prima o botão multifunções uma vez.
Reproduzir para faixa seguinte	Prima o botão multifunções duas vezes numa sequência rápida.
Reproduzir faixa anterior	Prima o botão multifunções três vezes numa sequência rápida.

#### Funcionalidade de chamadas telefónicas:

Função	Ação
Atender chamada	Quando receber uma chamada, prima o botão multifunções uma vez.
Desligar chamada	Depois de terminada a chamada, prima o botão multifunções duas vezes numa sequência rápida.
Rejeitar uma chamada	Quando receber uma chamada, prima o botão multifunções duas vezes numa sequência rápida.

## 3. Funcionalidades inteligentes

### 3.1 Cancelamento adaptativo de ruído

O cancelamento de ruído consiste numa série de tecnologias avançadas que ajudam a eliminar ruído indesejado do ambiente circundante.

Os PI7 dispõem das nossas mais recentes inovações em cancelamento adaptativo de ruído, o que inclui deteção inteligente que adapta o cancelamento de ruído e o aperfeiçoamento mais adequado ao seu ambiente circundante. À medida que o meio circundante muda, o cancelamento de ruído adapta-se automaticamente para complementar o seu novo ambiente.

A funcionalidade de cancelamento de ruído é ativada premindo o botão multifunções no auricular esquerdo (L) durante 1 segundo. Premir o botão durante mais 1 segundo permite passar pelos seguintes modos: Ligado, Automático ou Desligado. Consulte a Imagem 2 para a localização do botão.

Modo	Aplicação
Ligado	Remove o ruído indesejado do ambiente circundante.
Automático	Adapta o cancelamento de ruído de forma inteligente, para que seja o mais adequado ao seu ambiente atual.
Desligado	Desliga a funcionalidade de cancelamento de ruído.

### 3.2 Assistente de voz

O Assistente de voz é ativado premindo o botão multifunções no auricular direito (R) durante 1 segundo. Consulte a Imagem 2 para a localização do botão.

### 3.3 Pass-through de ambiente

Os PI7 dispõem de pass-through de ambiente, o que permite ouvir certos ruídos externos com origem no ambiente circundante, como anúncios de segurança ou conversas, sem tirar os auscultadores.

O pass-through de ambiente pode ser ativado ou desativado utilizando a aplicação Bowers & Wilkins Headphones. O nível de pass-through de ambiente, Alto/Baixo/Desligado, pode ser ajustado para se adequar às suas necessidades utilizando a aplicação.

### 3.4 Sensores de utilização

Os PI7 incorporam os nossos mais recentes sensores melhorados de deteção de utilização em ambos os auriculares. Os sensores permitem a conservação inteligente da bateria ao entrarem em modo de poupança de energia quando são retirados das orelhas. Quando voltam a ser utilizados, os PI7 "acordam" automaticamente e ligam-se ao último dispositivo Bluetooth a que estiverem ligados.

Os sensores também irão colocar o áudio em pausa quando os auriculares forem retirados das orelhas. A reprodução é retomada automaticamente quando o auricular é colocado de novo na orelha. A retomada automática foi ainda mais otimizada, para estar pronta apenas quando o utilizador estiver.

O sensor de utilização pode ser desativado na aplicação Bowers & Wilkins Headphones.

*Nota: tenha especial cuidado quando usar os auriculares, porque cabelo ou acessórios presos entre as orelhas e os auriculares poderão interferir com a sensibilidade do sensor.*

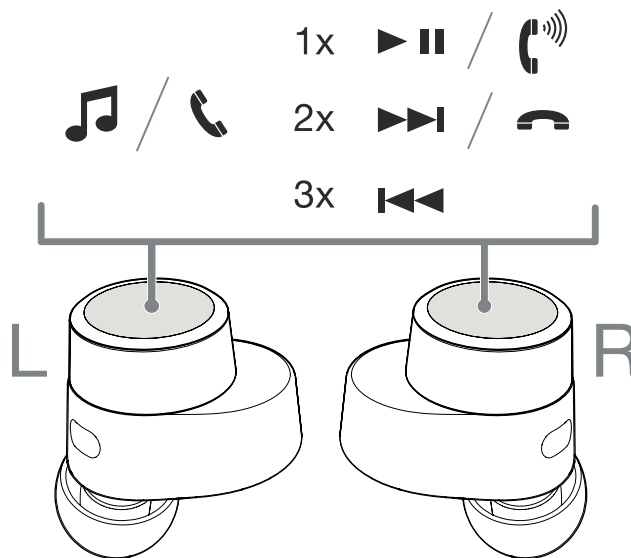


Imagem 1  
Botão multifunções

#### Cancelamento de ruído

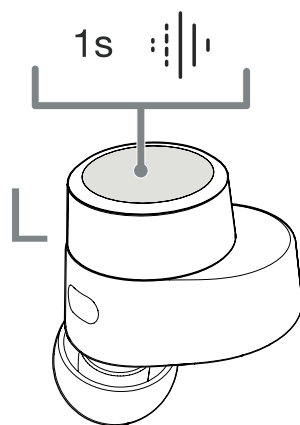
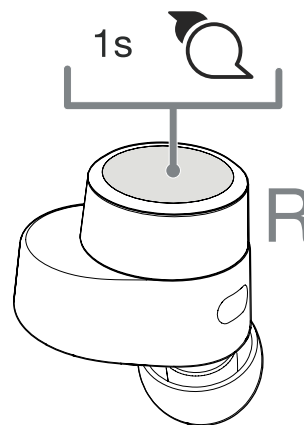


Imagem 2  
Controlos dos auscultadores

#### Assistente de voz



#### 4. Guardar os auriculares

Quando não estiverem a ser usados, os auriculares PI7 devem ser guardados dentro da caixa de carregamento, onde serão recarregados para utilização futura.

#### 5. Carregar a bateria

Os PI7 são enviados com a caixa e as baterias parcialmente carregadas e podem ser utilizados imediatamente. Recomendamos o carregamento total dos auriculares antes da primeira utilização. Deixe a bateria carregar totalmente durante 3 horas.

Para carregar os auriculares PI7:

1. Coloque os auriculares PI7 na caixa de carregamento.
2. Feche a tampa da caixa de carregamento.

Para carregar a caixa de carregamento dos PI7:

1. Utilize o cabo de carregamento USB fornecido e ligue a ficha USB a um carregador de parede USB ou a uma entrada USB do computador.
2. Depois, ligue a extremidade USB-C à entrada USB-C da caixa de carregamento.

*Nota: durante o carregamento, o indicador da caixa pisca a verde. Quando o carregamento estiver concluído, o indicador permanece aceso. A caixa pode ser carregada com ou sem os auriculares guardados lá dentro.*

Para carregar a caixa dos PI7 com uma estação de carregamento sem fios:

1. Coloque a caixa de carregamento numa estação de carregamento sem fios.
2. Certifique-se de que a parte traseira da caixa de carregamento se encontra na estação de carregamento (com o indicador da caixa voltado para cima).

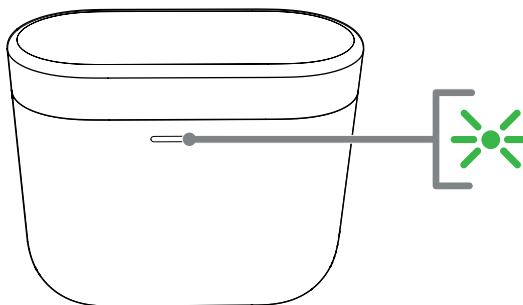
*Nota: durante o carregamento, o indicador da caixa pisca a verde. Quando o carregamento estiver concluído, o indicador permanece aceso.*

#### 5.1 Indicador de estado

O indicador de estado encontra-se na parte da frente da caixa. Quando os auriculares são colocados na caixa, o LED fornece informações sobre os mesmos. Quando os auriculares são removidos da caixa, o LED fornece informações sobre a caixa de carregamento. Consulte a Imagem 3 para os estados do LED.

#### 5.2 Verificação dos níveis da bateria

Pode verificar o nível de bateria da caixa premindo o botão fora da caixa uma vez. Quando ambos os auriculares estiverem guardados na caixa, prima o mesmo botão duas vezes para ver o seu nível de bateria. Consulte a Imagem 4 para a localização do botão.



Com os auriculares na caixa de carregamento

Luz		Estado de funcionamento
Verde (tampa da caixa aberta)		Carga da bateria do auricular >40%
Amarela (depois de ligar)		Carga da bateria do auricular >20%, <40%
Vermelha (depois de ligar)		Carga da bateria do auricular <20%
Vermelha (a piscar)		Reposição dos auriculares para os valores de fábrica
Vermelha (fixa)		Reposição do hardware/falha do sistema
Azul (a piscar)		Modo de emparelhamento ativado
Azul (3 segundos fixa)		Emparelhamento bem-sucedido

Com os auriculares fora da caixa de carregamento

Luz		Estado de funcionamento
Verde (tampa da caixa aberta)		Bateria a carregar >40%
Amarela (depois de ligar)		Bateria a carregar >20%, <40%
Vermelha (depois de ligar)		Bateria a carregar <20%
Vermelha (a piscar)		Reposição para os valores de fábrica
Vermelha (fixa)		Reposição do hardware/falha do sistema

Imagem 3

Luzes do indicador de estado

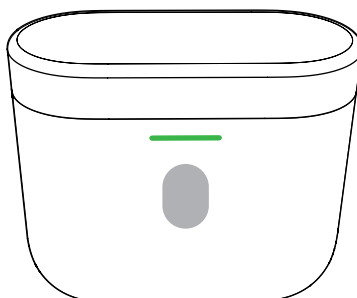


Imagem 4

Indicador de bateria da caixa e dos auriculares

## 6. Conectividade Bluetooth

### 6.1 Emparelhar

Os auriculares PI7 foram concebidos para transmitir música sem fios a partir de dispositivos áudio Bluetooth, tais como smartphones, tablets ou computadores. Para tal, primeiro, é necessário emparelhar os auriculares com o dispositivo.

Quando receber os seus auriculares PI7, estes estarão prontos a emparelhar com qualquer dispositivo áudio Bluetooth.

#### 6.1.1 Sistema iOS/sistema Android sem Google FastPair.

1. Transfira a aplicação Bowers & Wilkins Headphones.
2. Abra a tampa da caixa. O indicador da caixa irá piscar a azul.
3. Aceda ao menu de emparelhamento Bluetooth do dispositivo e seleccione "Bowers & Wilkins PI7" na lista de dispositivos.
4. O indicador da caixa mudará para azul fixo para indicar um emparelhamento bem-sucedido.
5. Abra a aplicação Bowers & Wilkins e adicione os auscultadores.

*Nota: os auriculares saem automaticamente do modo de emparelhamento Bluetooth se nenhum dispositivo for emparelhado no espaço de 5 minutos. Se o emparelhamento falhar, o indicador pisca rapidamente a azul, pelo que deve tentar emparelhar novamente.*

Para emparelhar um dispositivo subsequente. Consulte a Imagem 5:

1. Abra a tampa da caixa com os auriculares colocados lá dentro.
2. Mantenha premido o botão dentro da caixa entre 1 e 5 segundos. O indicador da caixa irá piscar a azul.
3. Aceda ao menu de emparelhamento Bluetooth do novo dispositivo e seleccione "Bowers & Wilkins PI7" na lista de dispositivos.
4. O indicador da caixa mudará para azul fixo para indicar um emparelhamento bem-sucedido.

Os PI7 conseguem memorizar até 3 dispositivos Bluetooth emparelhados. Repita os passos acima para emparelhar mais dispositivos.

*Nota: os auriculares saem automaticamente do modo de emparelhamento Bluetooth se nenhum dispositivo for emparelhado no espaço de 5 minutos. Se o emparelhamento falhar, o indicador pisca rapidamente a azul, pelo que deve tentar emparelhar novamente.*

### 6.1.2 Google FastPair (para sistemas Android integrados com a funcionalidade GFP)

Para adicionar os seus auscultadores:

1. Coloque a caixa a uma distância igual ou inferior a 10 cm (4 polegadas) relativamente a qualquer dispositivo Android (com Bluetooth ativado) e abra a tampa da caixa dos PI7.
2. Aparecerá uma janela de notificação do GFP (Google FastPair) com a mensagem "Bowers & Wilkins PI7 detected" (Bowers & Wilkins PI5 detetados) e um pedido para iniciar o processo de emparelhamento.
3. Prima o botão "Notification" (Notificação) na janela para permitir o emparelhamento. A ligação bem-sucedida será apresentada na janela do GFP.
4. Após o emparelhamento:
  - o A janela do GFP irá direcioná-lo para a Google Play Store para transferir e instalar a aplicação Bowers & Wilkins.
  - o Pode ver o nível da bateria dos auriculares L/R e da caixa na janela do GFP.

### 6.2 Desligar de um dispositivo

Pode desligar rapidamente os PI7 de um dispositivo colocando os auriculares na caixa. Como alternativa, pode gerir a ligação com mais detalhe utilizando a aplicação Bowers & Wilkins Headphones, em Connections (Ligações).

### 6.3 Funcionalidades da aplicação

A aplicação Bowers & Wilkins Headphones disponibiliza configurações e ajustes alargados para as funcionalidades, tais como o cancelamento adaptativo de ruído, o pass-through de ambiente e os sensores de utilização. A aplicação também proporciona mais opções de personalização, como comando por voz, nível de pass-through de ambiente, gestão de ligação e atualizações do software dos auscultadores. A aplicação está disponível como transferência gratuita em dispositivos iOS e Android.

Para adicionar os seus auscultadores:

1. A partir do seu dispositivo móvel, transfira e instale a aplicação Bowers & Wilkins Headphones.
2. Abra a aplicação e, depois, leia e siga as instruções relacionadas com as notificações e permissões da aplicação.
3. Depois de chegar ao ecrã principal, basta tocar em + e seguir as instruções dadas na aplicação.

### 6.4 Atualizações do software dos auscultadores

Periodicamente, a Bowers & Wilkins disponibiliza atualizações de software que aperfeiçoam e otimizam o desempenho dos seus auscultadores, ou que acrescentam novas funcionalidades.

A aplicação Bowers & Wilkins Headphones irá avisá-lo quando uma atualização de software estiver disponível. Toque na notificação e siga as instruções dadas na aplicação.

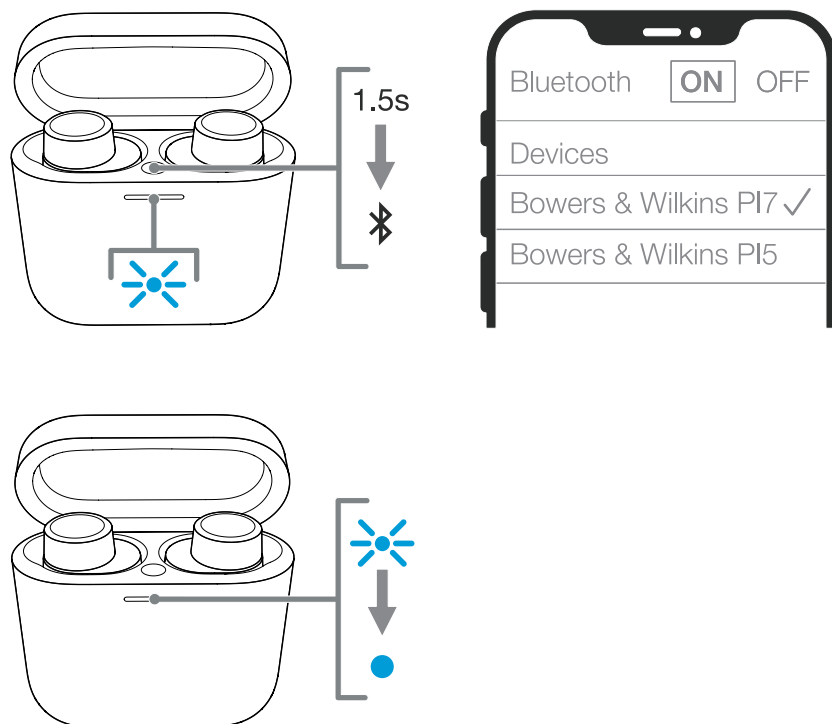


Imagem 5

Emparelhamento Bluetooth - dispositivo subsequente

## 7. Utilizar os auscultadores

Usar os auscultadores corretamente irá ajudar a garantir a melhor experiência possível. Consulte a Imagem 6. Como muitos auriculares, os PI7 são concebidos para selar o canal auditivo, para um desempenho ideal. As capas estão disponíveis em três tamanhos: pequeno, médio e grande. Encontrar o tamanho adequado para a sua orelha é fundamental para obter uma boa selagem e assegurar que os PI7 e as funcionalidades avançadas, como o cancelamento adaptativo de ruído, têm um desempenho ideal.

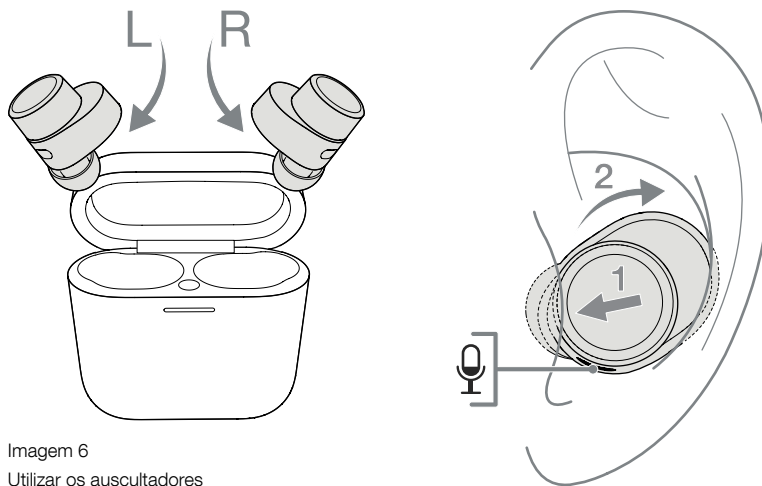


Imagem 6  
Utilizar os auscultadores

1. Identifique o auricular esquerdo e o direito através das identificações L e R que se encontram na parte de interior de cada auricular.
2. Coloque os auriculares no ouvido e rode-os ligeiramente para trás de forma que as capas encaixem confortavelmente na abertura do canal auditivo.
3. Se as capas dos auriculares forem demasiado grandes ou pequenas, experimente capas de outro tamanho para garantir o melhor encaixe possível.

*Nota: Para otimizar a qualidade das chamadas, certifique-se de que o microfone situado por baixo do auricular está voltado para fora. Consulte a Imagem 6.*

## 8. Transmissão em fluxo de conteúdos

### 8.1 Ligação da caixa à origem de conteúdos com o cabo USB tipo C para 3,5 mm fornecido ou o cabo USB tipo C para C para transmissão em fluxo de conteúdos. Consulte a Imagem 7.

1. Ligue o cabo fornecido à caixa e ao dispositivo de origem.
2. Os PI7 começarão imediatamente a transmitir em fluxo.

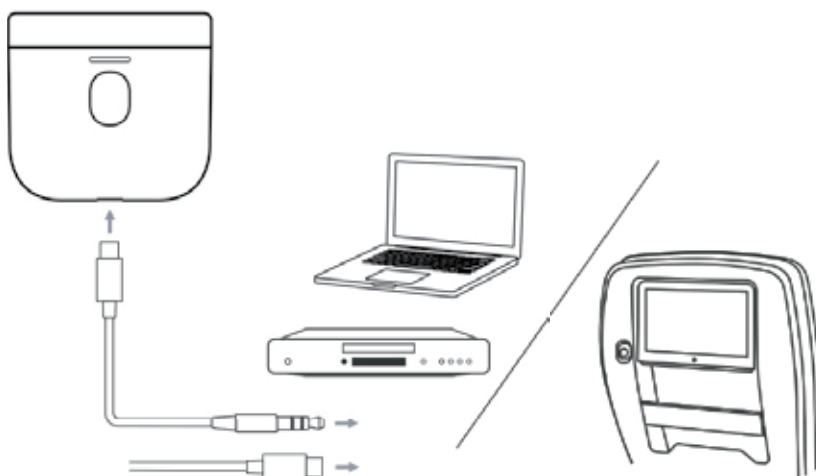


Imagem 7  
Transmissão em fluxo de conteúdos

*Nota: Para utilizadores Mac, durante a primeira transmissão, aceda ao controlo de saída em Sound Setting (Definição de som) e selecione "Bowers & Wilkins PI7"*

### 8.2 Emparelhamento de auscultadores secundários/subsequentes (APENAS Bowers & Wilkins) à caixa para a transmissão em fluxo de conteúdos. Consulte a Imagem 8.

A caixa também emparelha com outros auscultadores Bowers & Wilkins para a transmissão em fluxo de conteúdos

1. Ligue o cabo fornecido à caixa e ao dispositivo de origem.
2. Mantenha premido o botão exterior durante 3 segundos até que o LED pisque a azul.
3. Coloque os auscultadores em modo de emparelhamento.
4. O LED da caixa mudará para azul fixo para indicar uma ligação concluída.
5. Após o emparelhamento, prima o botão externo da caixa:
  - 1 vez para INICIAR a transmissão
  - 2 vezes para PARAR a transmissão

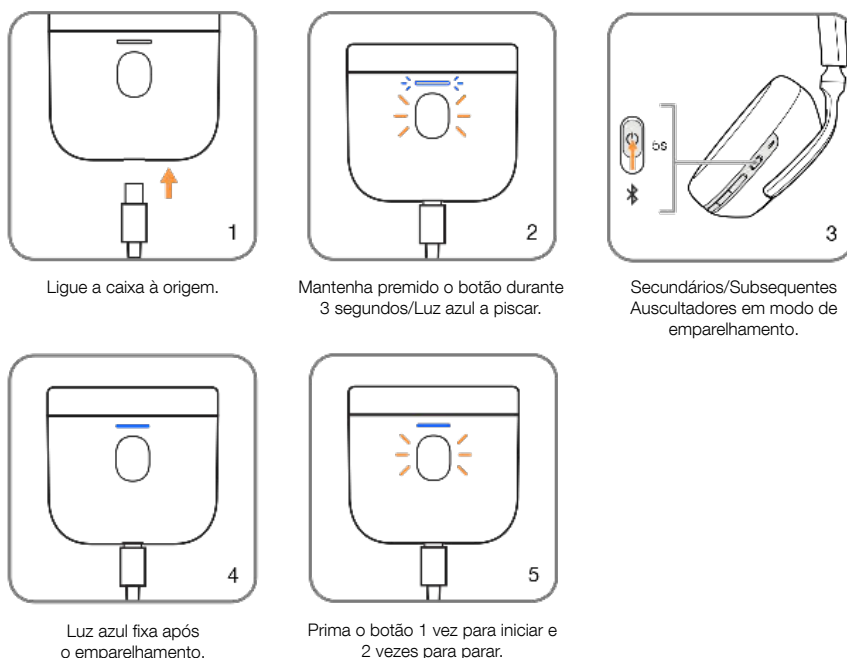


Imagem 8  
Transmissão dos auscultadores secundários/subsequentes

*Nota: ambos os auriculares têm de estar dentro da caixa durante a utilização dos auscultadores secundários. Após o emparelhamento dos auscultadores subsequentes, o histórico de emparelhamento será eliminado.*

## 9. Reposição/Resolução de problemas

### 9.1 Reposição para os valores de fábrica

Pode limpar o histórico de dispositivos emparelhados e restaurar todas as predefinições.

Para repor os auriculares para os valores de fábrica, abra a caixa de carregamento com os auriculares lá dentro. Mantenha premido o botão dentro da caixa durante 5 segundos e, em seguida, solte-o. O indicador na caixa irá ficar vermelho para indicar a reposição.

*NOTA: se os auriculares não estiverem a funcionar corretamente, realize uma reposição para os valores de fábrica para resolver o problema.*

### 9.2 Reposição total

Para repor totalmente os auriculares, abra a caixa com os auriculares lá dentro. Mantenha premido o botão dentro da caixa durante 15 segundos até que o indicador LED fique iluminado a verde para indicar a conclusão do processo de reposição total.

*NOTA: Em caso de falha séria do sistema (luz LED vermelha fixa), realize uma reposição total.*

## 10. Manutenção dos auriculares

Pode limpar os auriculares dando toques ligeiros com um pano húmido até estarem limpos. Não utilize detergentes, nem álcool ou produtos de limpeza químicos/de artigos em pele, uma vez que podem danificar os auriculares

## 11. Serviço/Apoio

Se precisar de ajuda com a resolução de um problema específico, ou se tiver apenas alguma questão, consulte inicialmente a secção de apoio relativa a auscultadores no Website da Bowers & Wilkins: [www.bowerswilkins.com](http://www.bowerswilkins.com).

## Especificações

Características técnicas	Tecnologia True Wireless Bluetooth 5.0 com tecnologia adaptativa AptX Auto ANC Transmissão de áudio da caixa de carregamento Carregamento sem fios e USB-C Suporte para carregamento rápido
Codecs Bluetooth	AptX – Adaptive AptX – HD AptX – Low Latency AptX – Classic AAC SBC
Perfis Bluetooth	A2DP v1.3.1 AVRCP v1.6.1 HFP v1.7.1 HSP v1.2 BLE GATT (Perfil de Atributo Genérico)
Banda de frequências	Modo Tx: 2402 MHz a 2480 MHz, banda ISM Modo Rx: 2402 MHz a 2480 MHz, banda ISM
Potência de saída RF	< 0r = 10,0 dBm
Diafragmas	9,2 mm Dynamic Drive com Balanced Armature
Gama de frequências	10 Hz a 20 kHz
Distorção (THD)	<0,3% (1 kHz/10 mW)
Duração da bateria	Até 4 horas com Bluetooth
Carregamento	15 minutos de carga = 2 horas Bluetooth
Entradas	Bluetooth
Peso	7 g para os auriculares, 61 g para a caixa de carregamento

## Welkom bij Bowers & Wilkins en de PI7

Fijn dat u voor Bowers & Wilkins hebt gekozen. Toen John Bowers ons bedrijf oprichtte, deed hij dat in de overtuiging dat een vindingrijk ontwerp, innovatieve techniek en geavanceerde technologie de sleutels waren tot het ontsluiten van audioplezier in huis.

De PI7 is een hoogwaardige in-ear hoofdtelefoon die is ontworpen om de hoogste kwaliteit mobiele, persoonlijke audio-ervaring te bieden in combinatie met het gemak van draadloos gebruik en de sereniteit van ruisonderdrukking. In deze handleiding vindt u alles wat u moet weten om optimaal van uw PI7-hoofdtelefoon te kunnen genieten.

Uw PI7 kan muziek afspelen die draadloos via Bluetooth vanaf uw mobiele telefoon, tablet of computer wordt gestreamd. De PI7 kan ook worden gebruikt voor draadloze telefoongesprekken.

De Real World Listening-functies van de PI7 zijn gebaseerd op de nieuwste innovaties op het gebied van Adaptive Noise Cancellation, Ambient Pass-Through en verbeterde Wear Sensing-technologieën. Onze nieuwste generatie ruisonderdrukking is geheel van de grond af ontworpen met intelligente omgevingsdetectie, waarbij automatisch het juiste type ruisonderdrukking wordt geselecteerd dat het meest geschikt is voor uw omgeving, met als enige doel om u een compromisloze luisterervaring aan te bieden. Dankzij Ambient Pass-Through kunnen externe geluiden, zoals een gesprek of veiligheidsomroepen, duidelijk worden gehoord zonder dat u daarvoor de hoofdtelefoon hoeft af te zetten. De Wear Sensing-functie (draagsensoren) zorgt ervoor dat de PI7 natuurlijk reageert en de muziek pauzeert en hervat wanneer u een oordopje in uw oor stopt of eruit haalt. Deze functies kunnen worden ingeschakeld en verder worden aangepast in de Bowers & Wilkins Headphone App, die gratis beschikbaar is voor iOS- en Android-apparaten.

De PI7 wordt geleverd met een oplaadbare batterijhouder. Wanneer de batterij volledig is opgeladen, kan deze, afhankelijk van hoe vaak gebruik wordt gemaakt van Bluetooth, Adaptive Noise Cancellation en Ambient Pass-Through, tot 20 uur ononderbroken draadloze media-streaming bieden met ruisonderdrukking ingeschakeld bij een gemiddelde afspeelvolumen.



## 1. Inhoud van de verpakking van de PI7

PI5-hoofdtelefoon met oordopjes (M)  
Oplaadhouder  
USB-C-opladekabel en USB-C-naar-3,5mm-audiokabel  
Oordopjes (S/L)  
Documentatiepakket

## 2. Uw PI7 leren kennen

### 2.1 De hoofdtelefoon in- en uitschakelen

#### In-/uitschakelen

De PI7 heeft geen stroomregeling. Voedingsbeheer verloopt automatisch. Uw PI7-oordopjes worden automatisch opgeladen wanneer ze in de oplaadhouder worden geplaatst en zijn klaar voor gebruik wanneer u ze uit de houder haalt.

Als de oordopjes uit de oplaadhouder worden gehaald en 5 minuten niet worden gebruikt, gaan ze over op de energiespaarmodus. Als u de energiespaarmodus wilt verlaten, gebruikt u de oordopjes gewoon weer door verbinding te maken met uw gekoppelde apparaat, audio te streamen of de oordopjes in uw oren te plaatsen.

### 2.2 Bediening van de hoofdtelefoon

Elk oordopje heeft een multifunctionele toets op het boven op het oordopje, zie diagram 1. De bediening van de multifunctionele knoppen is als volgt:

#### Media afspelen:

Functie	Actie
Afspelen of pauzeren	Druk eenmaal op de multifunctionele toets.
Volgend nummer afspelen	Druk tweemaal snel achter elkaar op de multifunctionele toets.
Vorig nummer afspelen	Druk driemaal snel achter elkaar op de multifunctionele toets.

#### Telefoongesprekken:

Functie	Actie
Telefoongesprek aannemen	Druk eenmaal op de multifunctionele toets bij een inkomend gesprek.
Telefoongesprek beëindigen	Druk bij een inkomend gesprek tweemaal snel achter elkaar op de multifunctionele toets.
Een inkomend telefoongesprek weigeren	Druk bij een inkomend gesprek tweemaal snel achter elkaar op de multifunctionele toets.

## 3. Intelligente functies

### 3.1 Adaptieve ruisonderdrukking

Ruisonderdrukking is een verzamelnaam voor een reeks geavanceerde technologieën die ongewenste omgevingsgeluiden uitfilteren.

De PI7 is voorzien van onze nieuwste innovaties op het gebied van adaptieve ruisonderdrukking, waaronder intelligente detectie die de ruisonderdrukking en afstemming aanpast aan de omgeving waarin u zich bevindt. Als uw omgeving verandert, past de ruisonderdrukking zich automatisch aan uw nieuwe omgeving aan.

De ruisonderdrukkingsfunctie wordt geactiveerd door de multifunctionele knop op de linker oordop (L) gedurende 1 seconde in te drukken; door deze knop nog een keer 1 seconde in te drukken, kunt u door de modi bladeren: Aan, Auto of Uit. Zie diagram 1 om te zien waar de knop zich bevindt.

Modus	Toepassing
Aan	Verwijdert ongewenst geluid uit de omgeving.
Auto	Past de ruisonderdrukking op intelligente wijze aan, zodat de onderdrukking het beste past bij uw actuele omgeving.
Uit	Schakelt de ruisonderdrukking uit.

### 3.2 Spraakassistentie

Spraakassistentie wordt geactiveerd door de multifunctionele knop van de rechter oordop (R) gedurende 1 seconde in te drukken. Zie diagram 2 om te zien waar de knop zich bevindt.

### 3.3 Omgevingsgeluiden doorlaten

De PI7 is uitgerust met Ambient Pass-Through-technologie, waardoor omgevingsgeluiden, zoals veiligheidsomroepen of gesprekken, hoorbaar zijn zonder dat u daarvoor de hoofdtelefoon hoeft af te zetten.

U kunt de functie waarmee u omgevingsgeluiden doorlaat in- of uitschakelen in de Bowers & Wilkins Headphone App. Het niveau waarmee u omgevingsgeluiden doorlaat kan Hoog, Laag of Uit zijn. U kunt dit in de app aan uw behoeften aanpassen.

### 3.4 Draagsensoren

Beide oordopjes van de PI7 zijn uitgerust met de nieuwste, verbeterde draagsensoren. De sensoren maken intelligente batterijbesparing mogelijk doordat de energiespaarmodus wordt ingeschakeld wanneer de dopjes uit de oren worden gehaald. Als de PI7 weer wordt gedragen, ontwaakt de hoofdtelefoon automatisch en maakt deze verbinding met het laatst verbonden Bluetooth-apparaat.

De sensoren pauzeren ook het geluid wanneer u de oordopjes uit uw oren haalt. Het afspelen wordt automatisch hervat wanneer u het oordopje weer in uw oor plaatst. Automatisch hervatten is verder geoptimaliseerd zodat de hoofdtelefoon klaar is als u er klaar voor bent.

De draagsensoren kunnen worden uitgeschakeld in de Bowers & Wilkins Headphone App.

*N.B.: Let goed op bij het dragen van uw oortelefoon. Haar of accessoires tussen uw oren en de oortelefoon kunnen de nabijheidsdetectie verstoren.*

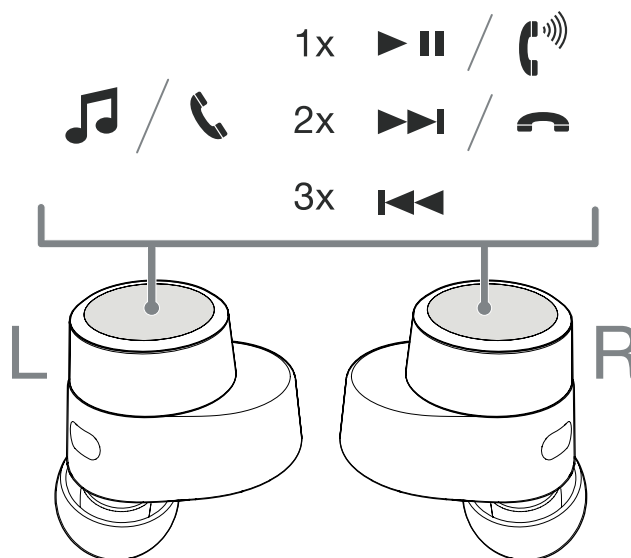


Diagram 1  
Multifunctionele knop

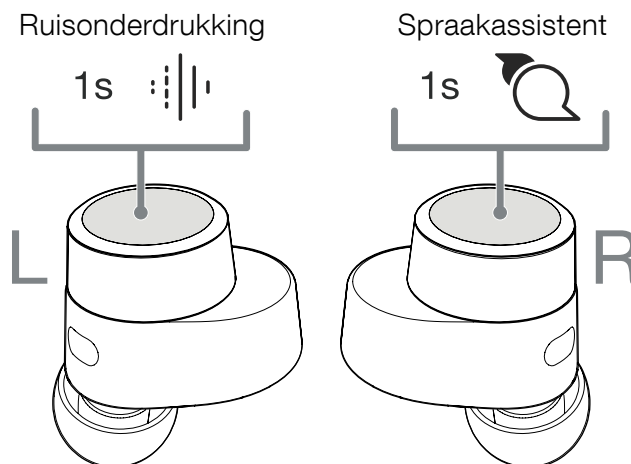


Diagram 2  
Bediening van de hoofdtelefoon

#### 4. De oordopjes opbergen

Als de PI7-oordopjes niet worden gebruikt, moeten ze in de oplaadhouder worden bewaard, waar ze worden opgeladen voor toekomstig gebruik.

#### 5. Batterijen opladen

De PI7 wordt geleverd in een houder en de batterijen van de oordopjes zijn gedeeltelijk opgeladen en kunnen onmiddellijk worden gebruikt. Wij raden u aan de oordopjes voorafgaand aan het eerste gebruik volledig op te laden. Het kan tot 3 uur duren voordat de batterijen volledig zijn opgeladen.

Zo laadt u de oordopjes van de PI7 op:

1. Plaats de oordopjes van de PI7 in de oplaadhouder.
2. Sluit het klepje van de oplaadhouder.

Zo laadt u de PI7-oplaadhouder op:

1. Gebruik de meegeleverde USB-oplaadkabel en sluit de USB-stekker aan op een USB-stopcontactlader of op een USB-aansluiting van een computer met voeding.
2. Sluit vervolgens het USB-C-uiteinde aan op de USB-C-aansluiting van de oplaadhouder.

*N.B.: Tijdens het opladen knippert de groene indicator op de houder. Wanneer de batterij volledig is opgeladen, brandt de indicator constant. De houder kan worden opgeladen met of zonder de oordopjes in de houder.*

Zo laadt u de PI7-houder met een draadloos oplaadstation op:

1. Plaats de oplaadhouder op een draadloos oplaadstation.
2. Zorg ervoor dat de achterkant van de oplaadhouder op het laadstation staat (met de indicator van de houder naar boven).

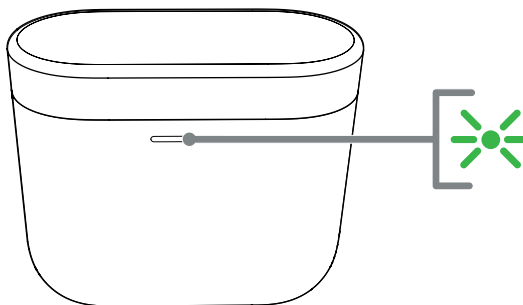
*N.B.: Tijdens het opladen knippert de groene indicator op de houder. Wanneer de batterij volledig is opgeladen, brandt de indicator constant.*

#### 5.1 Statusindicator

De statusindicator bevindt zich aan de voorkant van de houder. Wanneer de oordopjes in de houder worden geplaatst, geeft het lampje informatie over de oordopjes. Wanneer de oordopjes uit de houder worden gehaald, geeft het LED-lampje informatie over de oplaadhouder. Zie diagram 3 om de LED-status te zien.

#### 5.2 Batterijniveau controleren

U kunt het batterijniveau van de houder controleren door één keer op de knop aan de buitenkant van de houder te drukken. Als beide oordopjes in de houder zijn opgeborgen, druk dan tweemaal op dezelfde knop om het batterijniveau van de oordopjes te zien. Zie diagram 4 om te zien waar de knop zich bevindt.



Met de oordopjes in de oplaadhouder

Verlichting		Bedrijfsstatus
Groen (houder open)		Batterijniveau van oordopjes > 40%
Geel (na inschakelen)		Batterijniveau van oordopjes > 20%, < 40%
Rood (na inschakelen)		Batterijniveau van oordopjes < 20%
Rood (knipperend)		Fabrieksinstellingen van oordopjes terugzetten
Rood (vast)		Harde reset/crash van het systeem
Blauw (knipperend)		Koppelingsmodus ingeschakeld
Blauw (3 seconden constant branden)		Koppeling gelukt

Met de oordopjes verwijderd uit de oplaadhouder

Verlichting		Bedrijfsstatus
Groen (houder open)		Batterijniveau > 40%
Geel (na inschakelen)		Batterijniveau > 20%, < 40%
Rood (na inschakelen)		Batterijniveau < 20%
Rood (knipperend)		Fabrieksinstellingen terugzetten
Rood (vast)		Harde reset/crash van het systeem

Diagram 3  
Verlichting van statuslampjes

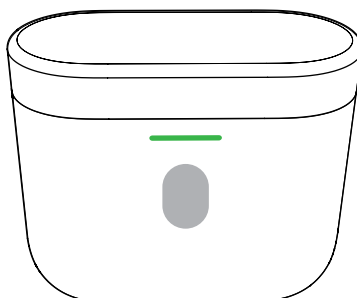


Diagram 4  
Batterij-indicator voor houder en oordopjes

## 6. Bluetooth-verbinding

### 6.1 Koppelen (pairing)

Uw PI7-oortelefoon is ontworpen om draadloos muziek te streamen vanaf Bluetooth-audioapparaten, zoals smartphones, tablets of computers. Daartoe moeten de oortelefoon en het toestel eerst worden gekoppeld.

Wanneer u uw PI7-oortelefoon ontvangt, is deze klaar om met elk Bluetooth-audioapparaat gekoppeld te worden.

#### 6.1.1 iOS-systeem/Android-systeem zonder Google FastPair.

1. Download de Bowers & Wilkins Headphone App.
2. Open de houder. De houder-indicator knippert blauw.
3. Ga naar het Bluetooth-koppelingsmenu van uw apparaat en selecteer "Bowers & Wilkins PI7" in de lijst met apparaten.
4. De houder-indicator brandt nu constant blauw om aan te geven dat het koppelen is gelukt.
5. Open de Bowers & Wilkins-app en voeg de hoofdtelefoon toe.

*N.B.: Uw oortelefoon verlaat automatisch de Bluetooth-koppelingsmodus als er binnen 5 minuten geen apparaat wordt gekoppeld. Als het koppelen mislukt, knippert de indicator snel blauw. Probeer in zo'n geval opnieuw te koppelen.*

Een koppeling met nog een ander apparaat maken. Zie diagram 5:

1. Open het klepje van de houder met de oordopjes in het houder.
2. Druk op de knop in de houder en houd de knop 1 tot 5 seconden ingedrukt; de indicator van de houder knippert blauw.
3. Ga naar het Bluetooth-koppelingsmenu van uw nieuwe apparaat en selecteer "Bowers & Wilkins PI7" in de lijst met apparaten.
4. De houder-indicator brandt nu constant blauw om aan te geven dat het koppelen is gelukt.

De PI7 kan tot 3 gekoppelde Bluetooth-apparaten onthouden. Herhaal de bovenstaande stappen om meer apparaten te koppelen.

*N.B.: Uw oordopjes verlaten de Bluetooth-koppelingsmodus automatisch als er binnen 5 minuten geen apparaat wordt gekoppeld. Als het koppelen mislukt, knippert de indicator snel blauw. Probeer in zo'n geval opnieuw te koppelen.*

### 6.1.2 Google FastPair (voor Android-systeem met GFP-functie)

Zo voegt u uw hoofdtelefoon toe:

1. Plaats de houder niet verder dan 10 cm van het Android-apparaat (Bluetooth ingeschakeld) en open het klepje van de houder van de PI7.
2. Er verschijnt een GFP-melding (Google FastPair) met "Bowers & Wilkins PI7 gedetecteerd" en het verzoek om het koppelingsproces te starten.
3. Druk op de meldingsknop in het venster om de koppeling tot stand te brengen. De succesvolle verbinding wordt weergegeven in het GFP-venster.
4. Eenmaal gekoppeld:
  - o In het GFP-venster wordt u doorgestuurd naar de Google Play Store om de Bowers & Wilkins-app te downloaden en te installeren.
  - o Het batterijniveau van L/R-oordopjes en van de houder wordt weergegeven in het GFP-venster

### 6.2 Koppeling met een apparaat verbreken

U kunt de PI7 snel loskoppelen van een apparaat door de oordopjes terug in de houder te doen. U kunt de verbinding ook uitvoeriger beheren in 'Connections' in de Bowers & Wilkins Headphones App.

### 6.3 Functies van de app

De Bowers & Wilkins Headphones App biedt uitgebreide mogelijkheden voor het instellen en aanpassen van functies zoals Adaptive Noise Cancellation, Ambient Pass-Through en Wear Sensors. De app biedt ook nog meer aanpassingsmogelijkheden, zoals stemmeldingen, het niveau van de doorgifte van omgevingsgeluid, verbindingenbeheer en software-updates voor de hoofdtelefoon. De app is gratis te downloaden op iOS- en Android-apparaten.

Zo voegt u uw hoofdtelefoon toe:

1. Download en installeer de Bowers & Wilkins Headphones App op uw mobiele apparaat.
2. Start de app, lees en volg de instructies met over meldingen van en machtigingen voor de app.
3. Nadat u het hoofdscherm hebt bereikt, tikt u op + en volgt u de instructies in de app.

### 6.4 Software-updates voor de hoofdtelefoon

Bowers & Wilkins stelt af en toe software-updates beschikbaar waarmee de prestaties van uw hoofdtelefoon worden verfijnd en geoptimaliseerd of waarmee nieuwe functies worden toegevoegd.

De Bowers & Wilkins Headphones App laat u weten wanneer er een software-update beschikbaar is. Is dat het geval, tik dan op de melding en volg de instructies in de app.

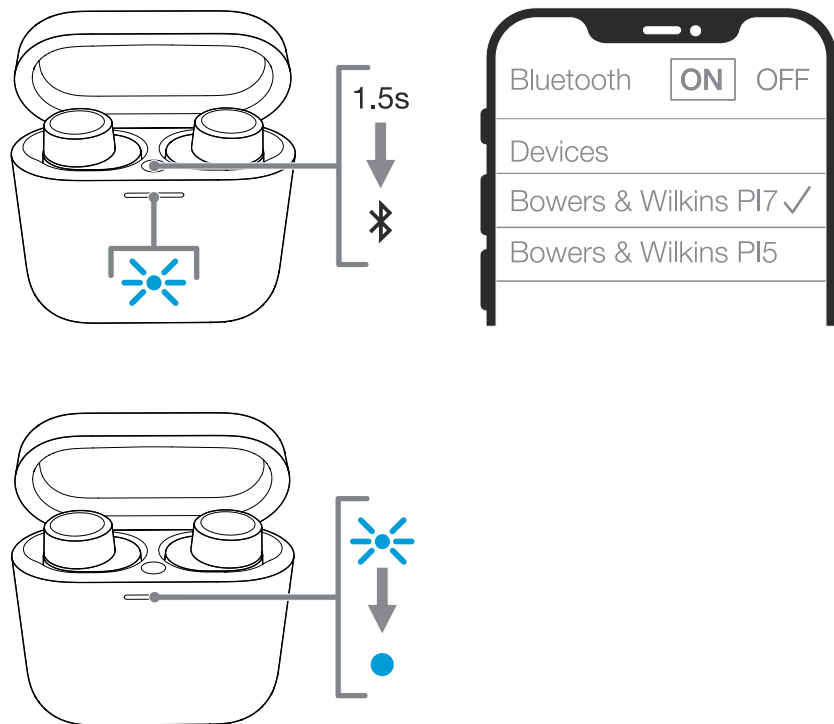


Diagram 5  
Bluetooth-koppeling - volgend apparaat

## 7. Uw hoofdtelefoon dragen

Als u uw hoofdtelefoon juist draagt, krijgt u de best mogelijke ervaring. Zie diagram 6. Zoals veel in-ear oortelefoons, zijn de oordopjes van de PI7 ontworpen om de gehoorgang af te sluiten om optimale audioprestaties te leveren. Oordopjes zijn er in drie maten (klein, middelgroot en groot). Het vinden van de juiste maat voor uw oor is van cruciaal belang om een goede afdichting te krijgen en ervoor te zorgen dat de PI7, en de geavanceerde functies zoals Adaptive Noise Cancellation, optimaal presteren.

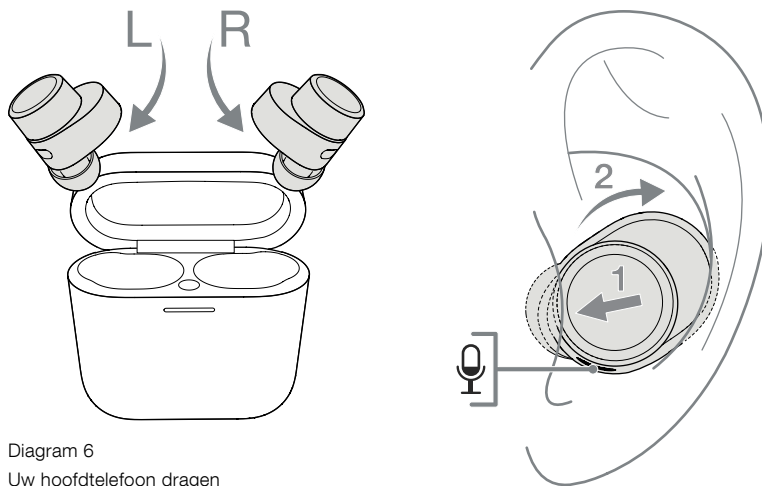


Diagram 6  
Uw hoofdtelefoon dragen

1. Identificeer de linker en rechter oordopjes door de L- en R- markeringen te vinden aan de binnenzijde van elk oordopje.
2. Plaats de oordopjes in uw oor en draai het oordopje iets naar achteren, zodat de dopjes comfortabel in de opening van de gehoorgang zitten.
3. Als het oordopje te groot of te klein aanvoelt, probeer dan een ander maat oordopje om de best mogelijke pasvorm te krijgen.

*N.B.: Voor een optimale kwaliteit van telefoongesprekken moet u ervoor zorgen dat de microfoon onder het oordopje naar buiten is gericht. Zie diagram 6.*

## 8. Media streamen

### 8.1 De houder met de meegeleverde USB-type-C-naar-3,5mm-kabel of de USB-type-C-naar-C-kabel verbinden met een mediabron om media te streamen (zie diagram 7).

1. Sluit de meegeleverde kabel aan op de houder en het bronapparaat.
2. De PI7 gaat automatisch streamen.

*N.B.: Voor Mac-gebruikers: ga voor de eerste keer streamen naar de uitvoerregeling onder 'Sound Setting' en selecteer 'Bowers & Wilkins PI7'*

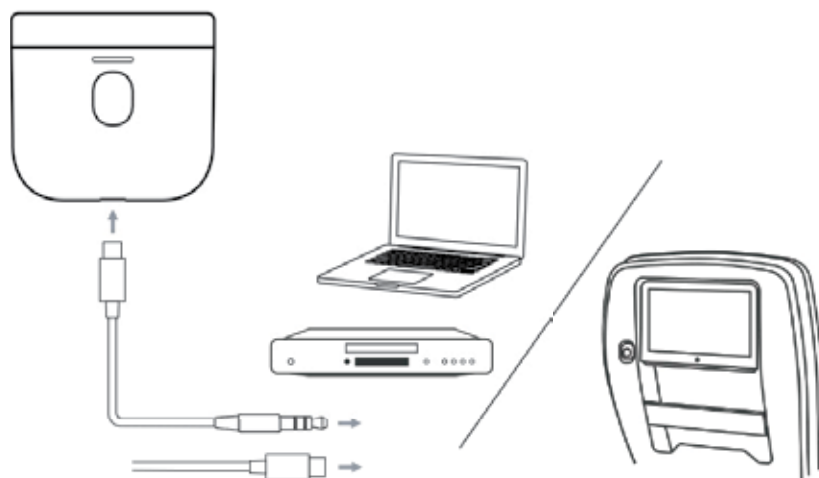


Diagram 7  
Media-streaming

### 8.2 Een tweede (of volgende) hoofdtelefoon koppelen (ALLEEN Bowers & Wilkins) met de houder om media te streamen (zie diagram 8).

De houder kan ook worden gekoppeld met een andere Bowers & Wilkins-hoofdtelefoon om media te streamen

1. Sluit de meegeleverde kabel aan op de houder en het bronapparaat.
2. Houd de knop aan de buitenkant gedurende 3 seconden ingedrukt tot de LED blauw oplicht.
3. Zet de hoofdtelefoon in de koppelingsmodus.
4. Het LED-lampje van de houder gaat nu constant blauw branden om aan te geven dat de koppeling tot stand is gebracht.
5. Druk nadat de koppeling tot stand is gekomen de knop aan de buitenkant van de houder:
  - 1x om met streamen te **BEGINNEN**
  - 2x om het streamen te **BEËINDIGEN**

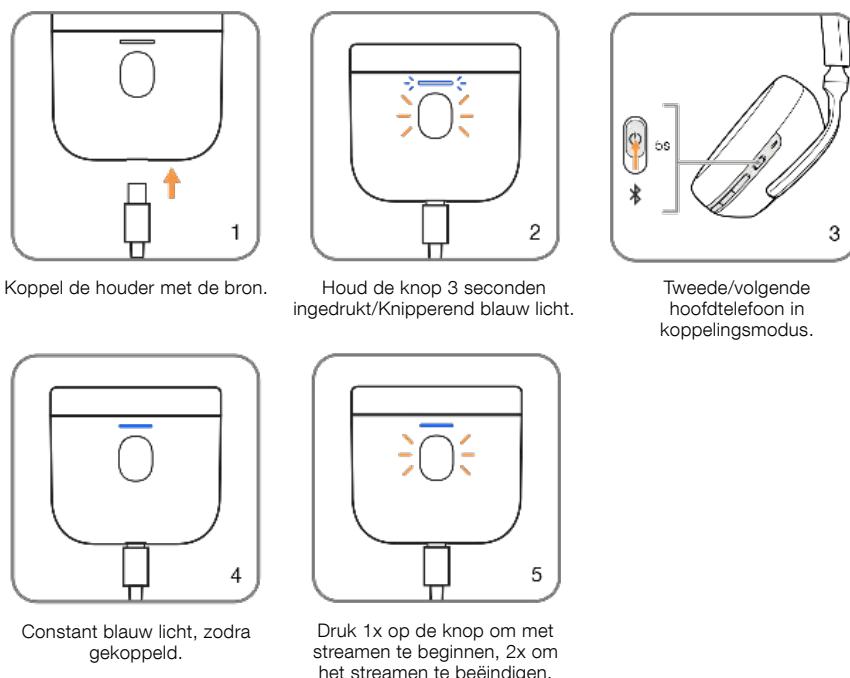


Diagram 8  
Streamen via een tweede (of een volgende) hoofdtelefoon

*N.B.: Beide oordopjes moeten in het houder zitten als u de tweede hoofdtelefoon gebruikt. Zodra de volgende hoofdtelefoon is gekoppeld, wordt de koppelingsgeschiedenis gewist.*

## 9. Opnieuw instellen en problemen oplossen

### 9.1 Fabrieksinstellingen opnieuw instellen

U kunt de geschiedenis van het gekoppelde apparaat wissen en alle instellingen terugzetten op de standaardwaarden.

Als u de fabrieksinstellingen van de oordopjes wilt herstellen, opent u de oplaadhouder met de oordopjes erin. Houd de knop aan de binnenkant van de houder 5 seconden ingedrukt en laat deze daarna los. De indicator op de houder wordt rood om aan te geven dat het opnieuw instellen is gelukt.

*OPMERKING: Als de oordopjes niet goed werken, zet dan de fabrieksinstellingen terug om het probleem op te lossen.*

### 9.2 Harde reset

Als u de oordopjes met een harde reset opnieuw wilt instellen, moet u de houder met de oordopjes erin openen. Houd vervolgens de knop in de houder 15 seconden ingedrukt tot de LED-indicator uitgaat en groen wordt om aan te geven dat de harde reset is voltooid.

*OPMERKING: Na een ernstige crash van het systeem (constant rood LED-lampje) moet u een harde reset uitvoeren.*

## 10. Verzorging van uw hoofdtelefoon

U kunt uw oordopjes schoonmaken met een vochtige doek en zachtjes deppen tot ze schoon zijn. Gebruik geen schoonmaakmiddelen, wrijfalcohol of chemische reinigingsmiddelen/polijstmiddelen; hierdoor kunnen de oordopjes beschadigd raken

## 11. Service en ondersteuning

Als u hulp nodig hebt bij het oplossen van een specifiek probleem of als u gewoon een vraag hebt die u graag beantwoord wilt zien, raadpleeg dan eerst het gedeelte over ondersteuning voor hoofdtelefoons op de website van Bowers & Wilkins: [www.bowerswilkins.com](http://www.bowerswilkins.com).

## Specificaties

Technische kenmerken	True Wireless-technologie Bluetooth 5.0 met AptX Adaptive-technologie Auto ANC Audio streamen vanaf oplaadhouder Draadloos opladen, en opladen via USB-C Snel opladen wordt ondersteund
Bluetooth-codecs	AptX - Adaptive AptX - HD AptX - Lage latentie AptX - Klassiek AAC SBC
Bluetooth-profielen	A2DP v1.3.1 AVRCP v1.6.1 HFP v1.7.1 HSP v1.2 BLE GATT (algemeen kenmerkprofiel)
Frequentieband	Zendmodus: 2402 MHz tot 2480 MHz, ISM-band Ontvangstmodus: 2402 MHz tot 2480 MHz, ISM-band
RF-uitgangsvermogen	< 0r =10,0 dBm
Drive units	9,2 mm dynamische aandrijving met gebalanceerde armatuur
Frequentiebereik	10 Hz tot 20 kHz
Vervorming (THD)	< 0,3% (1 kHz/10 mW)
Levensduur van de batterijen	Tot 4 uur via Bluetooth
Opladen	15 minuten opladen = 2 uur Bluetooth
Ingangen	Bluetooth
Gewicht	7g voor oordopjes, 61g voor oplaadhouder

## Benvenuto a Bowers & Wilkins e PI7

Grazie per aver scelto Bowers & Wilkins. Quando John Bowers fondò la nostra azienda, era convinto che il design creativo, l'ingegneria innovativa e la tecnologia avanzata fossero le chiavi che potevano offrire un'eccezionale esperienza acustica nelle abitazioni.

I PI7 sono auricolari in-ear ad alte prestazioni progettati per offrire un'esperienza audio personale mobile della massima qualità con la comodità offerta dalla funzione wireless e la serenità della cancellazione del rumore. In questo manuale, troverai tutto ciò che devi sapere per ottenere il massimo dai tuoi auricolari PI7.

I tuoi auricolari PI7 possono riprodurre musica in streaming in modalità wireless dal tuo telefono cellulare, tablet o computer tramite Bluetooth. Gli auricolari PI7 possono essere anche utilizzati per la telefonia wireless.

Le funzionalità "Real World Listening" di PI7 includono le nostre ultime innovazioni nelle tecnologie di Cancellazione del rumore adattiva, Pass-through ambientale e Wear Sensing. La nostra funzione di Cancellazione del rumore di ultima generazione è stata progettata ex novo con capacità di rilevamento intelligente dell'ambiente che seleziona automaticamente il tipo di cancellazione del rumore più adatto all'ambiente circostante, con l'unico obiettivo di offrire un'esperienza di ascolto senza compromessi. La funzione Pass-through ambientale consente di ascoltare chiaramente i suoni esterni, come le conversazioni o gli annunci, senza la necessità di rimuovere le cuffie. La funzione Wear Sensing, infine, consente agli auricolari PI7 di rispondere in modo naturale, sospendendo e riprendendo la musica quando si rimuove o si inserisce nuovamente uno degli auricolari nell'orecchio. Queste funzionalità possono essere abilitate e ulteriormente personalizzate tramite l'app Bowers & Wilkins Headphones disponibile gratuitamente per i dispositivi iOS e Android.

Gli auricolari PI7 sono forniti con una custodia di ricarica. Quando è completamente carica, a seconda dell'uso di Bluetooth, della cancellazione del rumore adattiva e del Pass-through ambientale, la custodia può fornire fino a 20 ore di streaming multimediale wireless continuo con cancellazione del rumore abilitata a un livello di volume medio.

## 1. Contenuto della confezione PI7

Auricolari PI7 con inserti (M)  
Custodia di ricarica  
Cavo per la ricarica USB-C e cavo USB-C - 3,5 mm  
Inserti (S/L)  
Manuale

## 2. Uso degli auricolari PI7

### 2.1 Accensione/spengimento degli auricolari

#### Accensione/spengimento

Gli auricolari PI7 non sono dotati di sistema di gestione dell'alimentazione; la gestione dell'alimentazione è automatica. Gli auricolari PI7 si caricheranno automaticamente quando vengono inseriti nella custodia di ricarica e saranno pronti per l'uso quando sono rimossi dalla custodia.

Se gli auricolari vengono rimossi dalla custodia di ricarica e non vengono utilizzati per 5 minuti, entreranno in modalità di risparmio energetico. Per attivare la modalità di risparmio energetico, basta utilizzare nuovamente gli auricolari collegando il dispositivo associato, riproducendo audio in streaming o inserendo gli auricolari nelle orecchie.

### 2.2 Comandi

Ciascun auricolare è dotato di un pulsante multifunzione situato sulla parte superiore dell'auricolare; vedere il Diagramma 1. I comandi disponibili con il pulsante multifunzione sono i seguenti:

#### Riproduzione di contenuti multimediali:

Funzione	Azione
Riproduzione o pausa	Premere una volta il pulsante multifunzione.
Riproduzione del brano successivo	Premere il pulsante multifunzione due volte in rapida successione.
Riproduzione del brano precedente	Premere il pulsante multifunzione tre volte in rapida successione.

#### Funzioni di chiamata:

Funzione	Azione
Risposta a una chiamata	Premere una volta il pulsante multifunzione con la chiamata in arrivo.
Terminazione della chiamata	Con una chiamata in arrivo, premere il pulsante multifunzione due volte in rapida successione.
Per rifiutare una chiamata in arrivo	Con una chiamata in arrivo, premere il pulsante multifunzione due volte in rapida successione.

## 3. Funzioni intelligenti

### 3.1 Cancellazione del rumore adattiva

La cancellazione del rumore combina una serie di tecnologie all'avanguardia che contribuiscono a eliminare i rumori indesiderati provenienti dall'ambiente circostante.

Gli auricolari PL7 offrono le ultimissime innovazioni in termini di cancellazione del rumore adattiva, con un sistema di rilevamento a sensori che regola il livello di cancellazione in base all'ambiente circostante. Al variare dell'ambiente in cui l'utente si trova, la cancellazione del rumore si adatterà automaticamente in base alla nuova situazione.

La funzionalità della Cancellazione del rumore adattiva viene attivata premendo il pulsante multifunzione sull'auricolare sinistro (L) per 1 secondo; ulteriori pressioni di 1 secondo consentono di scorrere le modalità: On, Auto oppure Off (Attiva, auto o spenta). Vedere il Diagramma 2 per la posizione del pulsante.

Modalità	Applicazione
On	Rimuove i rumori indesiderati dall'ambiente circostante.
Auto	Regola in modo intelligente la cancellazione del rumore selezionando il livello più adatto in base all'ambiente.
Off	Disattiva la funzione di cancellazione del rumore.

### 3.2 Assistente vocale

La funzione dell'Assistente vocale viene attivata premendo il pulsante multifunzione sull'auricolare destro (R) per 1 secondo. Vedere il Diagramma 2 per la posizione del pulsante.

### 3.3 Pass-through ambientale

Gli auricolari PI7 sono dotati di Pass-through ambientale, una funzione che consente di ascoltare alcuni rumori ambientali, come gli annunci o le conversazioni, senza dover rimuovere gli auricolari.

La funzione Pass-through ambientale può essere abilitata o disabilitata tramite l'app Bowers & Wilkins Headphones. Il livello di Pass-through ambientale, High/Low/Off (alto, basso spento), può essere regolato in base alle proprie esigenze tramite l'app.

### 3.4 Sensori di rilevamento

Gli auricolari PI7 sono dotati dei nostri ultimi sensori di rilevamento, i cosiddetti Wear Sensors. I sensori consentono di ridurre il consumo della batteria entrando in modalità di risparmio energetico quando gli auricolari vengono rimossi dalle orecchie. Quando gli auricolari vengono nuovamente indossati, si riattivano automaticamente e si riconnettono all'ultimo dispositivo Bluetooth connesso.

I sensori mettono anche in pausa l'audio quando gli auricolari vengono rimossi dalle orecchie. La riproduzione riprenderà automaticamente quando gli auricolari vengono riposizionati nell'orecchio. Il riavvio automatico della riproduzione è stato ulteriormente ottimizzato in modo che si attivi solo quando necessario.

I sensori di rilevamento possono essere disattivati tramite l'app Bowers & Wilkins Headphone.

*Nota: prestare particolare attenzione quando si indossano gli auricolari; i capelli o gli accessori intrappolati tra le orecchie e gli auricolari possono interferire con il funzionamento dei sensori di prossimità.*

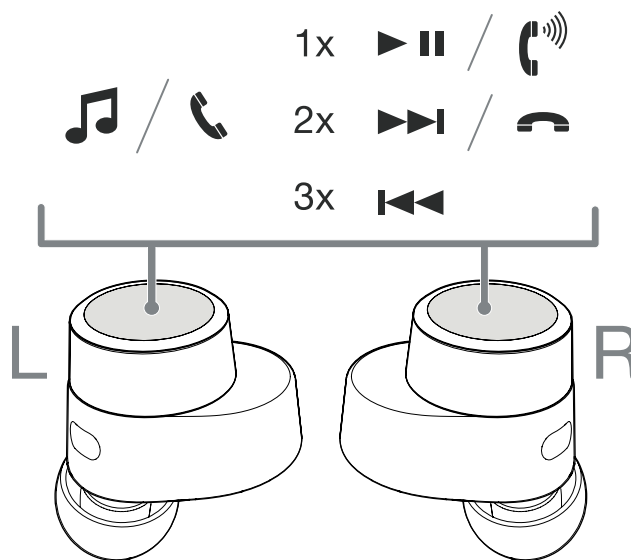


Diagramma 1  
Pulsante multifunzione

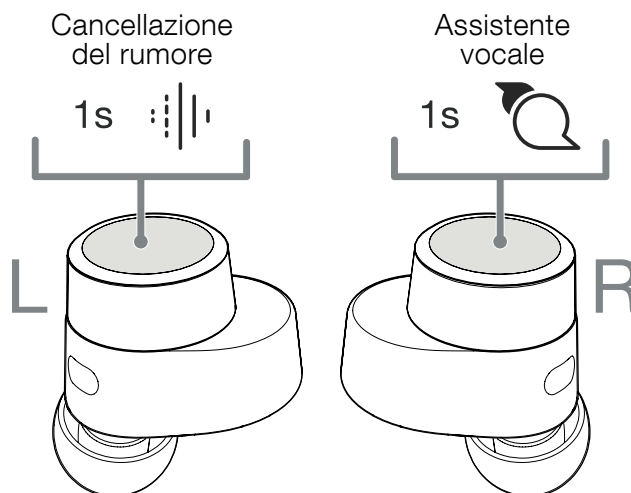


Diagramma 2  
Comandi degli auricolari

#### 4. Come conservare gli auricolari

Quando non vengono utilizzati, gli auricolari PI7 devono essere riposti all'interno della custodia di ricarica dove verranno ricaricati per un utilizzo futuro.

#### 5. Ricarica delle batterie

Gli auricolari PI7 vengono forniti con la custodia e le batterie parzialmente cariche e possono essere quindi utilizzati immediatamente. Per il risultato migliore, consigliamo di caricare completamente gli auricolari prima del loro primo utilizzo. La ricarica completa richiede fino a 3 ore.

Per caricare gli auricolari PI7:

1. Posizionare gli auricolari PI7 nella custodia di ricarica.
2. Chiudere il coperchio della custodia di ricarica.

Per caricare la custodia di ricarica PI7:

1. Utilizzare il cavo di ricarica USB in dotazione e collegare la spina USB a un caricatore a parete USB o a una presa USB alimentata sul computer.
2. Collegare quindi l'estremità USB-C alla presa USB-C sulla custodia di ricarica.

*Nota: durante la carica, la spia sulla custodia lampeggia in verde. A carica completa, la spia rimarrà illuminata. La custodia può essere caricata con o senza gli auricolari all'interno della custodia.*

Per caricare la custodia PI7 con una base di ricarica wireless:

1. Posizionare la custodia di ricarica sulla base di ricarica wireless.
2. Assicurarsi che il retro della custodia di ricarica si trovi sulla base di ricarica (con la spia della custodia rivolta verso l'alto).

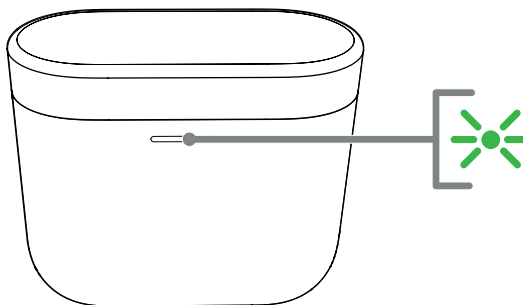
*Nota: durante la carica, la spia sulla custodia lampeggia in verde. A carica completa, la spia rimarrà illuminata.*

##### 5.1 Spia di stato

La spia di stato è situata sulla parte anteriore della custodia. Quando gli auricolari sono inseriti nella custodia, il LED fornisce informazioni sugli auricolari. Quando gli auricolari vengono rimossi dalla custodia, il LED fornisce informazioni sulla custodia di ricarica. Per gli stati del LED, vedere il Diagramma 3.

##### 5.2 Controllo del livello della batteria

È possibile controllare il livello della batteria della custodia premendo una volta il pulsante all'esterno della custodia. Quando entrambi gli auricolari sono riposti nella custodia, premere lo stesso pulsante due volte per visualizzare il livello della batteria degli auricolari. Vedere il Diagramma 4 per la posizione del pulsante.



Con gli auricolari nella custodia di ricarica

Illuminazione		Stato funzionamento
Verde (coperchio della custodia aperto)		Carica della batteria degli auricolari >40%
Giallo (dopo l'accensione)		Carica della batteria degli auricolari >20%, <40%
Rosso (dopo l'accensione)		Carica della batteria degli auricolari <20%
Rosso (lampeggiante)		Ripristino alle impostazioni di fabbrica degli auricolari
Rosso (fisso)		Hard reset/crash del sistema
Blu (lampeggiante)		Modalità associazione abilitata
Blu (fisso per 3 sec.)		Associazione riuscita

Con gli auricolari rimossi dalla custodia di ricarica

Illuminazione		Stato funzionamento
Verde (coperchio della custodia aperto)		Carica della batteria >40%
Giallo (dopo l'accensione)		Carica della batteria >20%, <40%
Rosso (dopo l'accensione)		Carica della batteria <20%
Rosso (lampeggiante)		Ripristino alle impostazioni di fabbrica
Rosso (fisso)		Hard reset/crash del sistema

Diagramma 3

Illuminazione della spia di stato

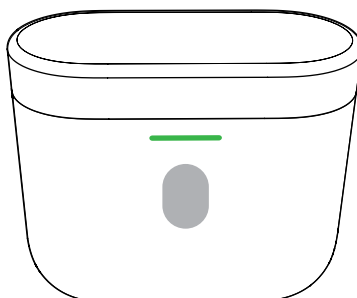


Diagramma 4

Spia della batteria della custodia e degli auricolari



## 6. Connettività Bluetooth

### 6.1 Associazione

Gli auricolari PI7 sono progettati per riprodurre musica in streaming in modalità wireless da dispositivi audio Bluetooth, come smartphone, tablet o computer. Per farlo, gli auricolari e il dispositivo devono prima essere associati.

Quando si ricevono gli auricolari PI7, saranno pronti per l'associazione a qualsiasi dispositivo audio Bluetooth.

#### 6.1.1 Sistema iOS / Sistema Android con Google FastPair.

1. Scaricare l'app Bowers & Wilkins Headphones.
2. Aprire il coperchio della custodia; la spia sulla custodia lampeggerà in blu.
3. Andare al menu di associazione Bluetooth del dispositivo e selezionare "Bowers & Wilkins PI7" dall'elenco dei dispositivi.
4. La spia sulla custodia diventerà blu fissa a indicare che l'associazione è riuscita.
5. Aprire l'app Bowers & Wilkins e aggiungere gli auricolari.

*Nota: gli auricolari lasceranno automaticamente la modalità di associazione Bluetooth se nessun dispositivo viene associato entro 5 minuti. If pairing fails, the indicator will rapid flash blue, please try pairing again.*

Per associare un dispositivo successivo. Vedere il Diagramma 5:

1. Open the case lid with the earbuds places inside the case.
2. Premere senza rilasciare il pulsante all'interno della custodia per 1-5 secondi; la spia della custodia lampeggerà in blu.
3. Andare al menu di associazione Bluetooth del nuovo dispositivo e selezionare "Bowers & Wilkins PI7" dall'elenco dei dispositivi.
4. La spia sulla custodia diventerà blu fissa a indicare che l'associazione è riuscita.

Gli auricolari PI7 possono ricordare fino a 3 dispositivi Bluetooth associati. Ripetere i passaggi precedenti per associare più dispositivi.

*Nota: gli auricolari lasceranno automaticamente la modalità di associazione Bluetooth se nessun dispositivo viene associato entro 5 minuti. Se l'associazione non riesce, la spia lampeggia rapidamente in blu; provare a eseguire di nuovo l'associazione.*

### 6.1.2 Google FastPair (per sistema Android con funzionalità GFP integrata)

Per aggiungere gli auricolari:

1. Posizionare la custodia a una distanza non superiore a 10 cm dal dispositivo Android (compatibile con BT) e aprire il coperchio della custodia PI7.
2. Verrà visualizzata una finestra di notifica GFP (Google FastPair) con il messaggio "Bowers & Wilkins PI7 rilevati", richiedendo di avviare il processo di associazione.
3. Premere il pulsante "Notifica" nella finestra per abilitare l'associazione; se la connessione riesce, sarà visualizzata nella finestra GFP.
4. Dopo l'associazione:
  - o La finestra GFP indirizzerà l'utente al Google Play Store per scaricare e installare l'app Bowers & Wilkins.
  - o L'auricolare L/R e il livello della batteria della custodia possono essere visualizzati nella finestra GFP

### 6.2 Disconnessione da un dispositivo

È possibile disconnettere rapidamente gli auricolari PI7 da un dispositivo rimettendo gli auricolari nella custodia. In alternativa, è possibile gestire la connessione in modo più dettagliato utilizzando l'app Bowers & Wilkins Headphones in "Collegamenti".

### 6.3 Funzioni dell'app

L'app Bowers & Wilkins Headphones offre impostazioni e regolazioni estese per funzioni quali Cancellazione del rumore adattiva, Pass-through ambientale e Wear Sensing. L'app consente anche ulteriori personalizzazioni come messaggi vocali, livello di Pass-through ambientale, gestione della connessione e aggiornamenti del software degli auricolari. L'app è disponibile come download gratuito per dispositivi iOS e Android.

Per aggiungere gli auricolari:

1. Usare il dispositivo mobile per scaricare e installare l'app Bowers & Wilkins Headphones.
2. Lanciare l'app e seguire le istruzioni relative alle notifiche e alle autorizzazioni dell'app.
3. Dopo aver raggiunto la schermata principale, toccare semplicemente + e seguire le istruzioni in-app.

### 6.4 Aggiornamento del software degli auricolari

Bowers & Wilkins occasionalmente rende disponibili aggiornamenti software che perfezionano e ottimizzano le prestazioni degli auricolari o aggiungono nuove funzionalità.

L'app Bowers & Wilkins Headphones avvisa l'utente quando è disponibile un aggiornamento software; toccare la notifica e seguire le istruzioni in-app.

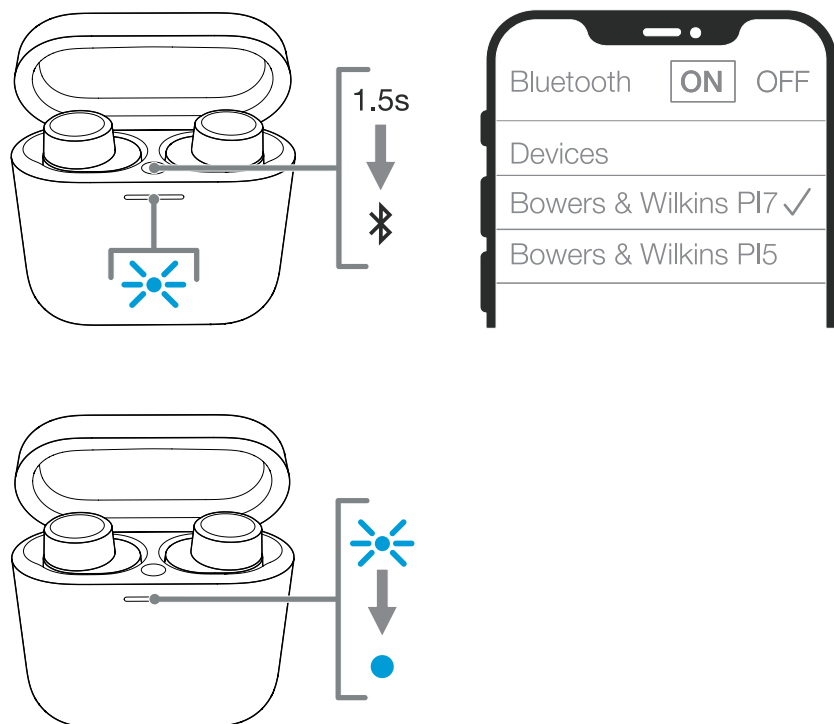


Diagramma 5  
Associazione Bluetooth - secondo dispositivo

## 7. Come indossare gli auricolari

Indossare correttamente gli auricolari aiuterà a ottenere la migliore esperienza possibile; vedere il Diagramma 6. Come molti prodotti in-ear, gli auricolari PI7 sono progettati per aderire perfettamente al condotto uditivo e offrire una performance ottimale. Inserti sono disponibili in tre taglie (small, medium e large). Usare la taglia corretta per l'orecchio è fondamentale per ottenere una buona aderenza e garantire che gli auricolari PI7 e le funzionalità avanzate come la cancellazione adattiva del rumore funzionino in modo ottimale.

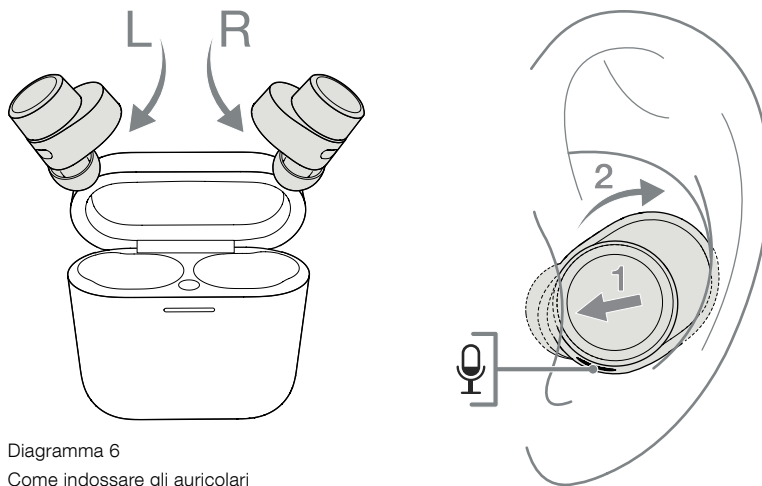


Diagramma 6  
Come indossare gli auricolari

1. Identificare l'auricolare sinistro e destro tramite le lettere L e R sulla parte interna di ciascun auricolare.
2. Posizionare gli auricolari nell'orecchio e ruotarli leggermente all'indietro in modo che gli inserti siano comodamente posizionati all'interno del condotto uditivo.
3. Se l'inserto dell'auricolare è troppo grande o troppo piccolo, provare un inserto di taglia diversa per una vestibilità ottimale.

*Nota: per ottimizzare la qualità delle chiamate, assicurarsi che il microfono situato sotto l'auricolare sia rivolto verso l'esterno; vedere il Diagramma 6.*

## 8. Streaming di contenuti multimediali

### 8.1 Collegamento della custodia alla sorgente multimediale con il cavo USB Tipo C-3,5 mm o USB Tipo C-C in dotazione per lo streaming multimediale, vedere il Diagramma 7.

1. Collegare il cavo in dotazione alla custodia e al dispositivo sorgente.
2. Gli auricolari PI7 avvieranno automaticamente lo streaming.

*Nota: per gli utenti Mac, quando si avvia lo streaming per la prima volta, accedere al controllo delle uscite nelle impostazioni audio e selezionare "Bowers & Wilkins PI7"*

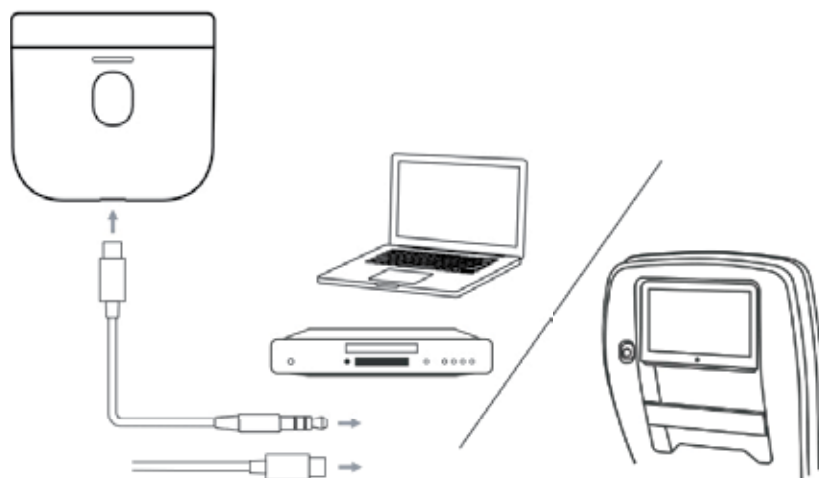


Diagramma 7  
Streaming di contenuti multimediali

### 8.2 Associazione di un secondo paio di auricolari o cuffie (SOLO Bowers & Wilkins) alla custodia per lo streaming multimediale, vedere il Diagramma 8.

La custodia può anche essere associata a un secondo paio di auricolari o cuffie Bowers & Wilkins per lo streaming multimediale

1. Collegare il cavo in dotazione alla custodia e al dispositivo sorgente.
2. Tenere premuto il pulsante esterno per 3 secondi fino a quando il LED non lampeggia in blu.
3. Impostare gli auricolari o cuffie nella modalità di associazione.
4. Il LED sulla custodia si illuminerà in blu fisso a indicare che la connessione è stata completata.
5. Al termine dell'associazione, premere il pulsante esterno sulla custodia:
  - 1 volta per AVVIARE lo streaming
  - 2 volte per ARRESTARE lo streaming

*Nota: entrambi gli auricolari devono essere all'interno della custodia durante l'uso del secondo paio di auricolari/cuffie. Dopo l'associazione del secondo paio, la cronologia delle associazioni verrà eliminata.*

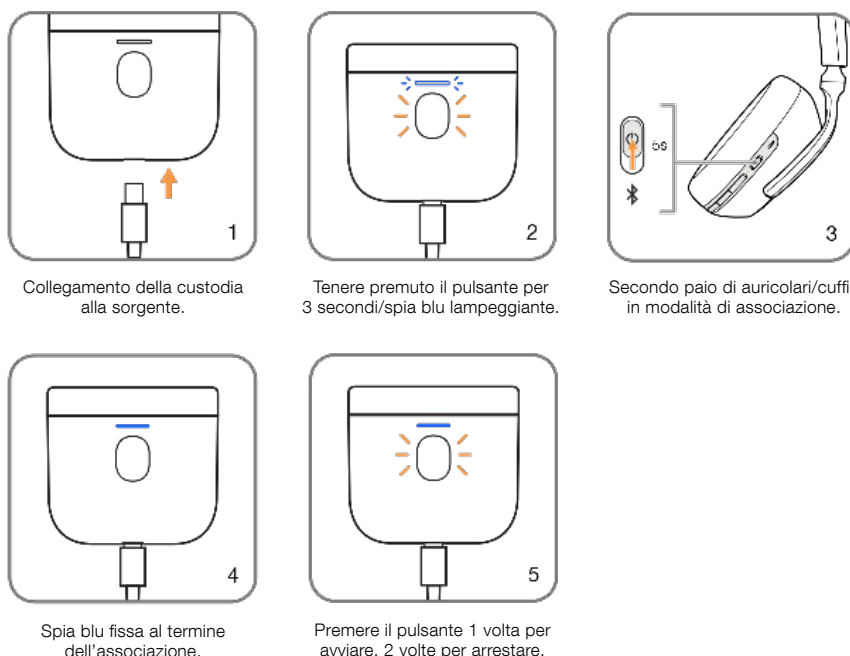


Diagramma 8  
Streaming tramite secondo paio di auricolari/cuffie

## 9. Ripristino/Risoluzione dei problemi

### 9.1 Ripristino alle impostazioni di fabbrica

È possibile cancellare la cronologia dei dispositivi associati e ripristinare tutte le impostazioni ai valori predefiniti.

Per ripristinare gli auricolari alle impostazioni di fabbrica, aprire la custodia di ricarica con gli auricolari inseriti all'interno. Tenere premuto il pulsante all'interno della custodia per 5 secondi e quindi rilasciare. La spia sulla custodia diventerà rossa a indicare il ripristino.

*NOTA: nel caso in cui gli auricolari non funzionino correttamente, eseguire un ripristino alle impostazioni di fabbrica per risolvere il problema.*

### 9.2 Hard Reset

Per un hard reset degli auricolari, aprire la custodia di ricarica con gli auricolari inseriti all'interno. Tenere premuto il pulsante all'interno della custodia per 15 secondi fino a quando la spia LED non si spegne e quindi si illumina in verde a indicare il completamento del processo di hard reset.

*NOTA: nel caso di un arresto anomalo del sistema (spia LED rossa fissa), eseguire un hard reset.*

## 10. Cura degli auricolari

Gli auricolari possono essere puliti con un panno umido. Non utilizzare detergenti, alcol denaturato o detergenti/lucidanti chimici, poiché potrebbero danneggiare gli auricolari.

## 11. Assistenza/Supporto

Se si ha bisogno di assistenza per la risoluzione di un problema specifico o se si hanno domande specifiche, consultare inizialmente la sezione del supporto delle cuffie sul sito web Bowers & Wilkins: [www.bowerswilkins.com](http://www.bowerswilkins.com).

## Specifiche

Caratteristiche tecniche	Vera tecnologia wireless Bluetooth 5.0 con tecnologia AptX Adaptive Auto ANC Streaming audio da custodia di ricarica Ricarica wireless e USB-C Supporto per Fast Charging
Codec Bluetooth	AptX – Adaptive AptX – HD AptX – Low Latency AptX – Classic AAC SBC
Profili Bluetooth	A2DP v1.3.1 AVRCP v1.6.1 HFP v1.7.1 HSP v1.2 BLE GATT (Generic Attribute Profile)
Banda di frequenza	Modalità Tx: 2.402 MHz - 2.480 MHz, Banda ISM Modalità Rx: 2.402 MHz - 2.480 MHz, Banda ISM
Potenza uscita RF	< oppure =10,0 dBm
Unità driver	Driver dinamico con armatura bilanciata di 9,2 mm
Risposta in frequenza	10 Hz - 20 kHz
Distorsione (THD)	<0,3% (1k Hz/10 mW)
Autonomia della batteria	Fino a 4 ore Bluetooth
Carica	Carica di 15 minuti = 2 ore Bluetooth
Ingressi	Bluetooth
Peso	7 g per gli auricolari, 61 g per la custodia di ricarica

## Добро пожаловать в Bowers & Wilkins и P17

Благодарим вас за выбор продуктов Bowers & Wilkins. Наш основатель, Джон Бауэрс (John Bowers) верил в то, что творческий подход в проектировании, новаторская конструкция и передовые технологии смогут открыть людям путь к подлинному звучанию продуктов Bowers & Wilkins.

P17 – это высококачественные вставные наушники, сконструированные для того, чтобы обеспечить наивысшее качество мобильного персонального аудио в сочетании с удобствами беспроводной работы и безмятежностью, благодаря подавлению шумов и помех. В этой Инструкции описано все, что вам нужно знать, чтобы получить максимальную отдачу от ваших наушников P17.

Ваши наушники P17 могут воспроизводить музыку, передаваемую без проводов с вашего мобильного телефона, планшета или компьютера через Bluetooth. P17 также могут использоваться для беспроводной телефонии.

Функции прослушивания в реальном мире P17 (Real World Listening) включают в себя наши последние инновации в области адаптивного шумоподавления (Adaptive Noise Cancellation – ANC), сквозного пропуска окружающих звуков (Ambient Pass-Through) и усовершенствованные технологии сенсоров надевания наушников (Wear Sensing).

Наша функция шумоподавления последнего поколения была разработана буквально с нуля, с использованием интеллектуальных возможностей оценки параметров окружающей среды. Она автоматически выбирает соответствующий тип шумоподавления, наиболее подходящий для вашего окружения, и ее единственная цель – обеспечить бескомпромиссное качество звука при прослушивании.

Сквозной пропуск окружающих звуков позволяет четко слышать все внешние звуки, такие как разговоры или объявления о безопасности, без необходимости снимать наушники. Функция определения надевания наушников позволяет P17 естественно реагировать на ваши действия, приостанавливая и возобновляя музыку, когда вы вынимаете наушник из уха или вставляете его обратно.

Эти функции могут быть активированы и дополнительно настроены с помощью приложения Bowers & Wilkins Headphone App для наушников, которое доступно бесплатно на устройствах под iOS и Android.

В наушниках P17 и в чехле для них установлены аккумуляторы. От одной полной зарядки, в зависимости от степени использования Bluetooth, функций Adaptive Noise Cancellation и Ambient Pass-Through они могут проработать до 20 часов подряд – в режиме беспроводного стриминга музыки с шумоподавлением и при среднем уровне громкости.

## 1. Содержимое упаковки P17

Наушники P17 с ушными вставками (M)  
Зарядный чехол  
Зарядный кабель USB-C и аудио кабель-переходник USB-C – 3.5-мм  
Ушные вставки (S/L: средние и большие)  
Комплект документации

## 2. Знакомство с наушниками P17

### 2.1 Включение/выключение наушников

#### Включение/выключение

P17 не имеют выключателя, вместо этого управление питанием происходит автоматически. Ваши наушники P17 будут автоматически заряжаться, когда находятся в зарядном чехле, и будут готовы к использованию, как только вы их вынете из чехла.

Если вы извлекли наушники из чехла и не используете их в течение 5 минут, они автоматически перейдут в режим энергосбережения. Чтобы выйти из этого режима, снова начните использовать наушники, подключив к ним сопряженное устройство, запустив стриминг аудио или просто вставив наушники в уши.

### 2.2 Управление наушниками

Каждый наушник имеет многофункциональную кнопку, расположенную на верхней крышке, см. Diagram 1. Многофункциональная кнопка работает следующим образом:

#### Воспроизведение медиа:

Функция	Действие
Воспроизведение	Нажмите
Play или пауза	многофункциональную кнопку один раз.
Переход к воспроизведению следующего трека	Нажмите многофункциональную кнопку два раза быстро.
Переход к воспроизведению предыдущего трека	Нажмите многофункциональную кнопку три раза быстро.

#### Функции телефонных звонков:

Функция	Действие
Ответить на звонок	Нажмите многофункциональную кнопку один раз при входящем вызове.
Закончить разговор	Нажмите многофункциональную кнопку два раза быстро в ходе входящего разговора.
Отклонить входящий вызов	Нажмите многофункциональную кнопку два раза быстро при вызове.

## 3. Интеллектуальные функции

### 3.1 Адаптивное шумоподавление

Шумоподавление – это серия передовых технологий, которые помогают устранить в наушниках нежелательные шумы, поступающие из окружающей среды.

P17 оснащены нашими последними инновациями в области адаптивного шумоподавления, включая интеллектуальное измерение параметров шума, которое помогает адаптировать систему шумоподавления и выбрать настройку, наиболее подходящую для вашей окружающей среды. По мере изменения свойств вашего окружения шумоподавление будет автоматически адаптироваться к вашей новой среде.

Функция шумоподавления активируется нажатием многофункциональной кнопки на левом (L) наушнике в течение 1 секунды, а дополнительные 1-секундные нажатия позволяют перебирать режимы: On, Auto или Off. Расположение кнопки показано на Diagram 2.

Режим	Действие
On	Устраняет нежелательные шумы, поступающие из окружающей среды.
Auto	Интеллектуально адаптирует систему шумоподавления и выбирает настройку, наиболее подходящую для вашей окружающей среды
Off	Отключает функции шумоподавления

### 3.2 Голосовые ассистенты

Голосовой ассистент (Voice Assistance) активируется нажатием многофункциональной кнопки на правом (R) наушнике в течение 1 секунды. Расположение кнопки показано на Diagram 2.

### 3.3 Сквозной пропуск окружающих звуков

P17 оснащены функцией сквозного пропуска окружающих звуков (Ambient Pass-Through), которая позволяет проникать внутрь некоторым из них, таким, например, как оповещения или разговоры, чтобы слышать их, не вынимая наушники.

Функция сквозного пропуска может быть активирована или отключена из приложения Bowers & Wilkins Headphone App. В нем можно также выбрать степень пропуска внешних звуков – High/Low/Off, соответствующую вашим пожеланиям.

### 3.4 Сенсоры надевания наушников

В обоих наушниках P17 используется последняя, улучшенная версия наших сенсоров надевания наушников. Они активируют режим экономии расхода энергии аккумулятора, переводя наушники в него, когда вы их вынимаете из ушей. При повторном надевании, P17 автоматически пробуждаются и соединяются с последним сопряженным Bluetooth устройством.

Сенсоры делают также паузу в воспроизведении аудио, когда вы вынимаете наушники из ушей. Воспроизведение автоматически возобновляется, если вновь вставить наушники в уши. Автозапуск музыки был дополнительно оптимизирован так, чтобы он был готов только тогда, когда вы готовы слушать музыку.

Сенсоры надевания наушников можно отключить из приложения Bowers & Wilkins Headphone App.

*Примечание: будьте внимательны при использовании наушников, т.к. волосы или какие-либо аксессуары либо украшения, попавшие между вашими ушами и наушниками могут помешать работе сенсоров приближения.*

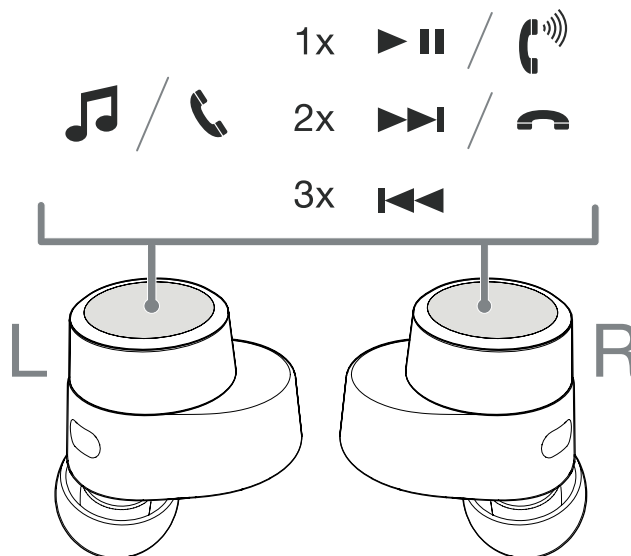


Diagram 1  
Многофункциональная кнопка

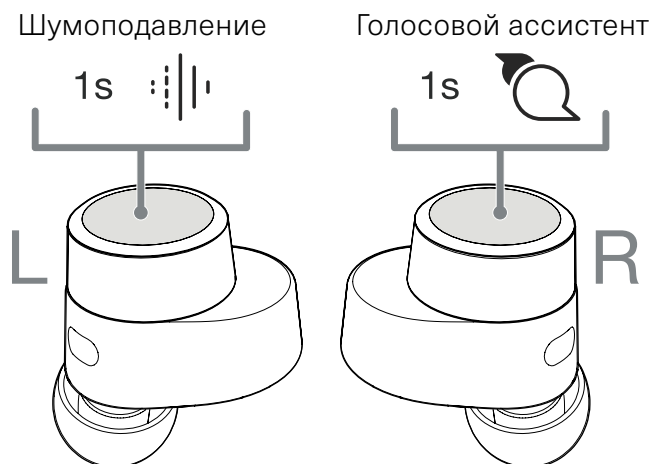


Diagram 2  
Органы управления наушников

#### 4. Хранение наушников

Когда наушники P17 не используются, их следует хранить в зарядном чехле, где они будут подзаряжаться и готовиться к использованию в будущем.

#### 5. Зарядка аккумулятора

P17 поставляется с частично заряженными аккумуляторами чехла и наушников, и могут быть сразу же использованы. Однако для наилучшей эксплуатации мы рекомендуем полностью зарядить наушники перед первым использованием. Пожалуйста, уделите им до 3 часов для полной зарядки.

Чтобы зарядить наушники P17:

1. Положите наушники P17 в зарядный чехол.
2. Закройте крышку зарядного чехла.

Чтобы зарядить зарядный чехол P17:

1. Используйте прилагаемый USB-кабель для зарядки и подключите USB-разъем к настенному зарядному устройству USB или же к USB-разъему компьютера с питанием.
2. Затем подключите конец USB-C к разъему USB-C зарядного чехла.

*Примечание: Во время зарядки индикатор чехла будет мигать зеленым цветом. При полной зарядке индикатор будет гореть постоянно. Чехол можно заряжать как с наушниками, размещенными внутри него, так и без них.*

Чтобы зарядить зарядный чехол P17 с помощью беспроводной зарядной станции:

1. Установите зарядный чехол на беспроводную зарядную станцию.
2. Убедитесь, что доннышко зарядного чехла находится на поверхности беспроводной зарядной станции (при этом индикатор должен быть наверху).

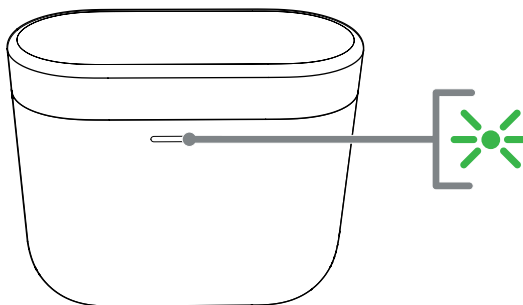
*Примечание: Во время зарядки индикатор чехла будет мигать зеленым цветом. При полной зарядке этот индикатор будет гореть постоянно.*

##### 5.1 Индикатор состояния

Индикатор состояния расположен на лицевой стороне чехла. Когда наушники находятся внутри чехла, светодиод LED выдает информацию о них. Когда наушники вынуты из чехла, светодиод LED выдает информацию о состоянии зарядного чехла. Расшифровка индикации приведена в Diagram 3.

##### 5.2 Проверка уровня заряда аккумулятора

Можно проверить уровень заряда аккумулятора, встроенного в чехол, нажав один раз на кнопку на внешней стороне чехла. Если оба наушника уложены в чехол, надо нажать на ту же кнопку дважды, чтобы узнать уровень заряда аккумуляторов, встроенных в наушники. Место, где находится кнопка, показано на Diagram 4.



Когда наушники находятся в зарядном чехле

Свечение индикатора		Состояние
Зеленый (крышка чехла открыта)		Заряд аккумуляторов в наушниках > 40%
Желтый (после включения)		Заряд аккумуляторов в наушниках >20%, <40%
Красный (после включения)		Заряд аккумуляторов в наушниках <20%
Красный (мигающий)		Сброс заводских настроек наушников
Красный (постоянный)		Аппаратный сброс /отказ системы
Синий (мигающий)		Активирован режим сопряжения
Синий (3 секунды постоянный)		Сопряжение прошло успешно

Когда наушники вынуты из зарядного чехла

Свечение индикатора		Состояние
Зеленый (крышка чехла открыта)		Аккумуляторы в наушниках заряжаются > 40%
Желтый (после включения)		Аккумуляторы в наушниках заряжаются >20%, <40%
Красный (после включения)		Аккумуляторы в наушниках заряжаются <20%
Красный (мигающий)		Сброс заводских настроек
Красный (постоянный)		Аппаратный сброс /отказ системы

Diagram 3  
Индикация состояния

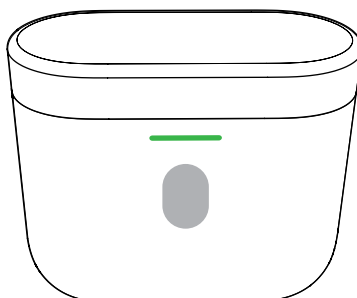


Diagram 4  
Индикатор заряда аккумуляторов в чехле и в наушниках

## 6. Bluetooth соединение

### 6.1 Сопряжение наушников

Ваши наушники PI7 предназначены для беспроводного приема потоковой музыки с Bluetooth устройств, таких как смартфоны, планшеты или персональные компьютеры. Для этого сначала необходимо выполнить сопряжение наушников и устройства (источника).

Когда вы получите наушники PI7, они будут готовы к сопряжению с любым Bluetooth аудио устройством.

#### 6.1.1 Для устройств под iOS / Android без Google FastPair.

1. Скачайте приложение Bowers & Wilkins Headphone App.
2. Откройте крышку чехла, и индикатор начнет мигать синим светом.
3. Войдите в меню сопряжения по Bluetooth вашего устройства источника и выберите "Bowers & Wilkins PI7" из списка устройств.
4. Индикатор чехла начнет гореть постоянным синим светом, если сопряжение прошло успешно.
5. Откройте приложение Bowers & Wilkins и добавьте наушники.

*Примечание: Ваши наушники автоматически отключат режим сопряжения по Bluetooth, если в течение 5 минут ни одно устройство не будет сопряжено. Если сопряжение не удастся и индикатор быстро мигнет синим цветом, пожалуйста, повторите попытку сопряжения.*

Для сопряжения с еще одним устройством. См. Diagram 5:

1. Откройте крышку чехла, пока наушники находятся внутри него.
2. Нажмите и удерживайте кнопку внутри корпуса в течение 1 – 5 секунд, при этом индикатор на корпусе будет мигать синим цветом.
3. Перейдите в меню сопряжения Bluetooth вашего нового устройства и выберите "Bowers & Wilkins PI7" из списка устройств.
4. Индикатор на чехле сменит свои показания на постоянный синий цвет, чтобы указать, что сопряжение прошло успешно.

PI7 может запоминать до 3 сопряженных устройств Bluetooth. Повторите описанные выше шаги, чтобы выполнить сопряжение с другими устройствами.

*Примечание: Ваши наушники автоматически отключат режим сопряжения по Bluetooth, если в течение 5 минут ни одно устройство не будет сопряжено. Если сопряжение не удастся и индикатор быстро мигнет синим цветом, пожалуйста, повторите попытку сопряжения.*

### 6.1.2 Google FastPair (для устройств под Android с встроенной функцией GFP)

Для того, чтобы добавить ваши наушники:

1. Поместите чехол не дальше, чем на 10 см от Android устройства (с поддержкой BT) и откройте крышку корпуса PI7.
2. Появится окно уведомления GFP (Google FastPair) с надписью "Bowers & Wilkins PI7 detected" и запросом на запуск процесса сопряжения.
3. Нажмите кнопку "Notification" ("Уведомление") в окне, чтобы запустить сопряжение, и если соединение будет успешным, то это будет показано в окне GFP.
4. После успешного сопряжения:
  - o Окно GFP направит вас в Google Play store для загрузки и установки приложения Bowers & Wilkins.
  - o В окне GFP можно будет увидеть уровень заряда аккумуляторов левого и правого L/R наушников и зарядного чехла.

### 6.2 Отсоединение от устройства

Вы можете быстро отключить PI7 от устройства, положив наушники обратно в чехол. Кроме того, вы можете более подробно управлять подключением с помощью приложения Bowers & Wilkins Headphones в разделе Connections.

### 6.3 Функции приложения

Приложение для наушников Bowers & Wilkins обеспечивает расширенную настройку и задание таких функций, как адаптивное шумоподавление (Adaptive Noise Cancellation), сквозной пропуск звуков (Ambient Pass-Through) и сенсоры надевания. Приложение также предоставляет дополнительные настройки, такие как голосовая подсказка, уровень пропуска окружающих звуков, управление подключением и обновления программного обеспечения для наушников. Приложение доступно для бесплатной загрузки на устройствах iOS и Android.

Для того, чтобы добавить ваши наушники:

1. С вашего мобильного устройства загрузите и установите приложение для наушников Bowers & Wilkins.
2. Запустите приложение, затем прочитайте и следуйте инструкциям, касающимся уведомлений и разрешений приложения.
3. Перейдя на главный экран, просто нажмите + и следуйте инструкциям в приложении.

### 6.4 Обновление ПО наушников

Bowers & Wilkins время от времени будут предоставлять обновления программного обеспечения, которые улучшают и оптимизируют качество работы ваших наушников или добавляют новые возможности.

Приложение для наушников Bowers & Wilkins уведомит вас о наличии обновления программного обеспечения, после этого нажмите на уведомление и следуйте инструкциям в приложении.

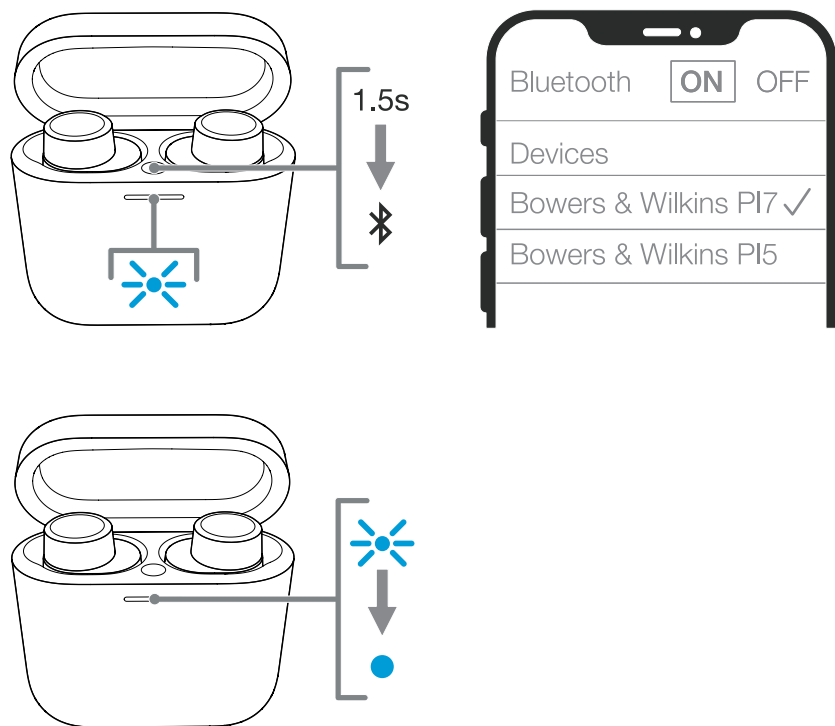


Diagram 5  
Сопряжение по Bluetooth – очередное устройство

## 7. Как правильно носить наушники

Правильное ношение наушников поможет вам получить наилучшие впечатления от прослушивания, см. Diagram 6. Как и многие наушники-вкладыши, вставные наушники P17 используют герметизацию слухового канала для оптимальной работы. Ушные наконечники бывают трех размеров (маленькие, средние и большие). Поиск подходящего размера для вашего уха имеет решающее значение для получения хорошего прилегания и звучания P17, а также для оптимальной работы расширенных функций, таких как адаптивное шумоподавление.

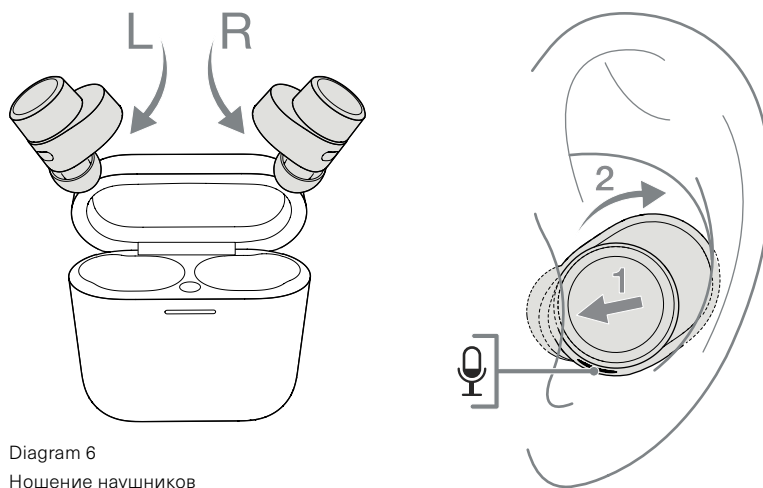


Diagram 6  
Ношение наушников

1. Определите левый и правый наушник, найдя пометки L и R, расположенные на внутренней стороне каждого наушника.
2. Вставьте наушники в уши и слегка поверните их назад, чтобы кончики удобно соприкасались с отверстием ушного канала.
3. Если наконечник наушника кажется слишком большим или маленьким, попробуйте другой размер, чтобы обеспечить наилучшую посадку.

*Примечание: Для оптимизации качества телефонных звонков убедитесь, что микрофон, расположенный под наушником, обращен наружу, см. Diagram 6.*

## 8. Стриминг медиа

### 8.1 Подсоединение чехла к медиа источнику с помощью прилагаемого кабеля USB type-C на 3.5-мм разъем или USB type-C на USB type-C для стриминга файлов показано на Diagram 7.

1. Подсоедините прилагаемый кабель к чехлу и к устройству – источнику.
2. Ваши наушники P17 автоматически начнут стриминг аудио.

*Примечание: Для пользователя Mac, впервые транслирующего потоковое аудио, перейдите в управление выводом – в раздел Sound Setting и выберите "Bowers & Wilkins P17"*

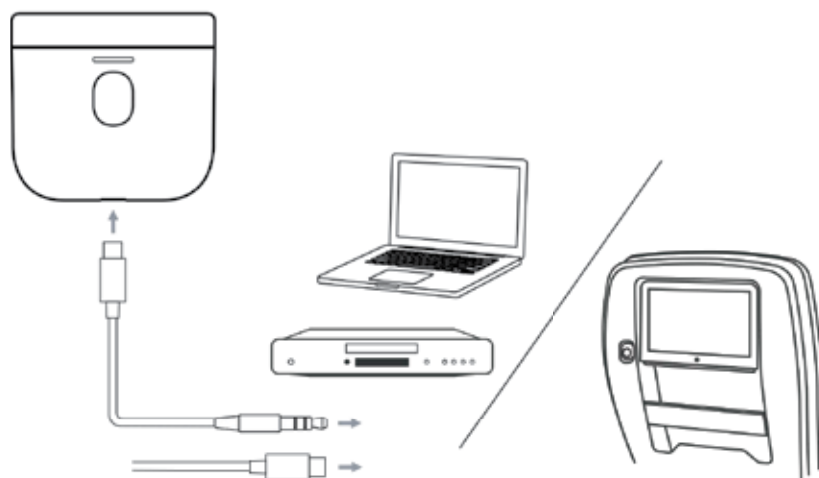


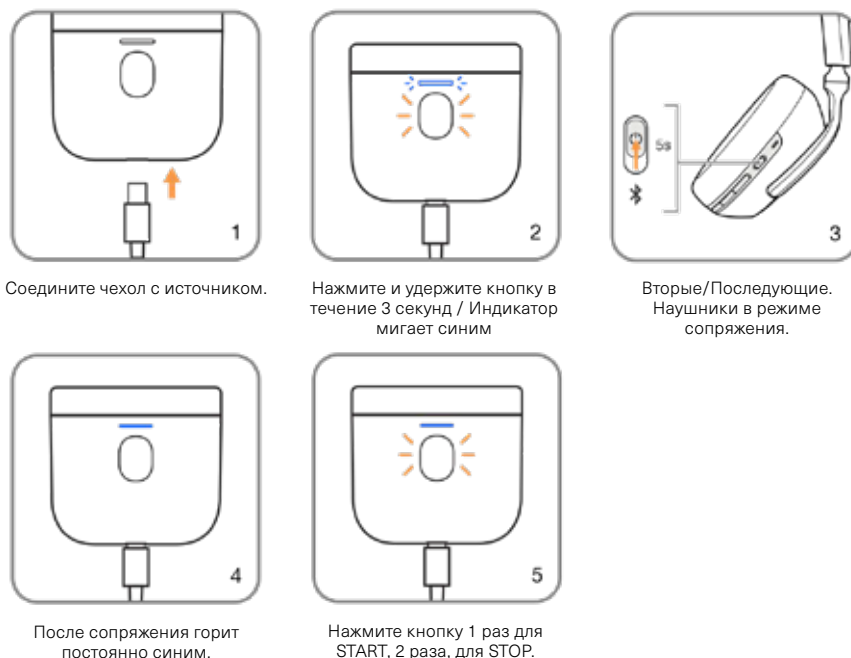
Diagram 7  
Стриминг медиа

### 8.2 Сопряжение вторых/последующих наушников (ТОЛЬКО от Bowers & Wilkins) в случае стриминга медиа см. Diagram 8.

Ваш чехол может также сопрягаться с другими наушниками от Bowers & Wilkins для стриминга мультимедиа.

1. Подсоедините прилагаемый кабель к чехлу и к устройству – источнику
2. Нажмите и удержите кнопку снаружи чехла в течение 3 секунд, пока светодиод не начнет мигать синим светом.
3. Переключите наушники в режим сопряжения.
4. Индикатор на корпусе изменит свой свет на постоянный синий, указывающий на завершение подключения.
5. После сопряжения нажмите кнопку снаружи чехла:
  - 1 раз для START – запуска стриминга
  - 2 раза, чтобы остановить стриминг – STOP

*Примечание: Оба наушника должны находиться внутри чехла при использовании дополнительных наушников. После сопряжения последующих наушников история сопряжения будет удалена.*



Соедините чехол с источником.

Нажмите и удержите кнопку в течение 3 секунд / Индикатор мигает синим

Вторые/Последующие. Наушники в режиме сопряжения.

После сопряжения горит постоянно синим.

Нажмите кнопку 1 раз для START, 2 раза, для STOP.

Diagram 8  
Стриминг для вторых / последующих наушников



## 9. Сброс/Устранение неполадок

### 9.1 Сброс к заводским настройкам

Вы можете очистить историю сопряжения устройств и восстановить все настройки по умолчанию.

Чтобы сбросить заводские настройки наушников, откройте чехол для зарядки с наушниками, помещенными внутрь. Нажмите и удерживайте кнопку на внутренней стороне корпуса в течение 5 секунд и затем отпустите. Индикатор на корпусе загорится красным, указывая на сброс.

*ПРИМЕЧАНИЕ: В случае, если наушники не функционируют правильно, пожалуйста, выполните сброс к заводским настройкам, чтобы решить проблему.*

### 9.2 Жесткий сброс

Чтобы выполнить жесткий сброс наушников, откройте чехол с наушниками, помещенными внутрь. Нажмите и удерживайте кнопку внутри корпуса в течение 15 секунд, пока светодиодный индикатор не погаснет и не загорится вновь зеленым цветом, указывая на завершение процесса жесткого сброса.

*ПРИМЕЧАНИЕ: При серьезном сбое системы (постоянно горит красный светодиод), пожалуйста, выполните жесткий сброс.*

## 10. Уход за наушниками

Ваши наушники можно протирать влажной тканью и аккуратно промокнуть, до тех пор, пока они не станут чистыми. Не используйте чистящие средства, спирт для протирания или химические чистящие/полирующие средства – в противном случае это может привести к повреждению наушников.

## 11. Сервис / Поддержка

Если вам нужна помощь в устранении конкретной проблемы или просто у вас есть вопрос, на который вы хотели бы получить ответ, пожалуйста, сначала обратитесь к разделу поддержки наушников на веб-сайте Bowers & Wilkins: [www.bowerswilkins.com](http://www.bowerswilkins.com).

## Технические характеристики

Достоинства	Технология True Wireless – подлинно беспроводная Технология Bluetooth 5.0 с AptX Adaptive Шумоподавление – Auto ANC Стриминг аудио из зарядного чехла Зарядка беспроводная и через USB-C Поддержка быстрой зарядки
Bluetooth кодеки	AptX – Adaptive AptX – HD AptX – Low Latency AptX – Classic AAC SBC
Bluetooth профили	A2DP v1.3.1 AVRCP v1.6.1 HFP v1.7.1 HSP v1.2 BLE GATT (Generic Attribute Profile)
Диапазон частот связи	Tx режим: 2402 МГц – 2480 МГц, ISM Band Rx режим: 2402 МГц – 2480 МГц, ISM Band
Выходная мощность RF	< 0r = 10.0 dBm
Динамики	9.2-мм динамик, плюс балансный арматурный драйвер
Диапазон частот	10Гц – 20 кГц
Искажения (THD)	<0.3% (1кГц/10 мВт)
Время работы от аккумулятора	до 4 часов с Bluetooth
Подзарядка	15 мин. зарядки = 2 часа с Bluetooth
Входы	Bluetooth, USB-C
Вес	7 г наушники, 61 г зарядный чехол

## Καλωσορίσατε στην Bowers & Wilkins και το P17

Σας ευχαριστούμε που επιλέξατε την Bowers & Wilkins. Ο John Bowers ίδρυσε την εταιρεία μας με την πεποίθηση ότι η ευφάνταστη σχεδίαση, η καινοτομία στην ανάπτυξη και η εξελιγμένη τεχνολογία θα ήταν τα κλειδιά που θα άνοιγαν νέους κόσμους απόλαυσης του ήχου στο σπίτι.

Τα P17 είναι ενδοωτικά ακουστικά υψηλής απόδοσης, σχεδιασμένα ώστε να σας παρέχουν την καλύτερη δυνατή ηχητική εμπειρία για φορητές συσκευές, σε συνδυασμό με την άνεση της ασύρματης λειτουργίας και τη γαλήνη της εξουδετέρωσης θορύβου. Σε αυτό το εγχειρίδιο θα μάθετε όλα όσα πρέπει να γνωρίζετε, για να αξιοποιήσετε απόλυτα τα ακουστικά P17.

Τα ακουστικά P17 μπορούν να αναπαράγουν ασύρματη ροή μουσικής από το κινητό τηλέφωνο, το tablet ή τον υπολογιστή σας μέσω Bluetooth. Τα P17 μπορούν επίσης να χρησιμοποιηθούν για ασύρματη τηλεφωνία.

Οι δυνατότητες Real World Listening (Πραγματική ακρόαση) των ακουστικών P17 περιλαμβάνουν τις τελευταίες μας καινοτομίες στις τεχνολογίες Adaptive Noise Cancellation (Προσαρμοστική εξουδετέρωση θορύβου), Ambient Pass-Through (Διέλευση ήχου περιβάλλοντος) και βελτιωμένη τεχνολογία Wear Sensing (Ανίχνευση χρήσης). Η τελευταία μας γενιά τεχνολογίας εξουδετέρωσης θορύβου σχεδιάστηκε από μηδενική βάση με έξυπνες δυνατότητες ανίχνευσης περιβάλλοντος, για αυτόματη επιλογή του κατάλληλου τύπου εξουδετέρωσης θορύβου που είναι καλύτερος για το περιβάλλον σας, με αποκλειστικό στόχο να παρέχει μια απaráμιλλη εμπειρία ακρόασης. Η δυνατότητα Ambient Pass-Through (Διέλευση ήχου περιβάλλοντος) επιτρέπει να ακούγονται καθαρά εξωτερικοί ήχοι, όπως συζητήσεις ή ανακοινώσεις ασφαλείας, χωρίς να χρειάζεται να αφαιρεθούν τα ακουστικά. Η δυνατότητα Wear Sensing (Ανίχνευση χρήσης) επιτρέπει στα P17 να ανταποκρίνονται με φυσικότητα, πραγματοποιώντας παύση και συνέχιση της μουσικής όταν ανασηκώνετε ένα από τα ακουστικά από το αυτί σας. Αυτές οι δυνατότητες μπορούν να ενεργοποιηθούν και να προσαρμοστούν περαιτέρω μέσω της εφαρμογής Bowers & Wilkins Headphones που είναι διαθέσιμη δωρεάν σε συσκευές με λειτουργικό σύστημα iOS και Android.

Τα P17 ενσωματώνουν μια επαναφορτιζόμενη θήκη μπαταρίας. Όταν είναι πλήρως φορτισμένη, ανάλογα με τον βαθμό χρήσης των δυνατοτήτων Bluetooth, Adaptive Noise Cancellation (Προσαρμοστική εξουδετέρωση θορύβου) και Ambient Pass-Through (Διέλευση ήχου περιβάλλοντος), η θήκη μπαταρίας μπορεί να παρέχει έως και 20 ώρες συνεχούς ασύρματης ροής πολυμέσων με την εξουδετέρωση θορύβου ενεργοποιημένη, σε μέση ένταση αναπαραγωγής ήχου.

## 1. Περιεχόμενα συσκευασίας P17

Ακουστικά P17 με καλύμματα (M)  
Θήκη φόρτισης  
Καλώδιο φόρτισης USB-C και καλώδιο ήχου USB-C  
3,5 mm  
Καλύμματα (S/L)  
Συνοδευτικά έντυπα

## 2. Εξοικείωση με τα ακουστικά P17

### 2.1 Ενεργοποίηση και απενεργοποίηση των ακουστικών

#### Ενεργοποίηση/Απενεργοποίηση

Τα P17 δεν έχουν χειριστήριο λειτουργίας, η διαχείριση της λειτουργίας είναι αυτόματη. Τα ακουστικά P17 σας θα φορτίσουν αυτόματα όταν τοποθετηθούν μέσα στη θήκη φόρτισης και θα είναι έτοιμα για χρήση όταν αφαιρεθούν από τη θήκη.

Όταν τα ακουστικά σας αφαιρεθούν από τη θήκη φόρτισης και δεν χρησιμοποιηθούν επί 5 λεπτά, θα μεταβούν σε τρόπο λειτουργίας εξοικονόμησης ενέργειας. Για έξοδο από τη λειτουργία εξοικονόμησης ενέργειας, αρχίστε να χρησιμοποιείτε τα ακουστικά σας και πάλι συνδέοντας τη συζευγμένη συσκευή σας, αναπαράγοντας ροή ήχου ή τοποθετώντας τα ακουστικά μέσα στα αυτιά σας.

### 2.2 Χειριστήρια ακουστικών

Το κάθε ακουστικό διαθέτει ένα κουμπί πολλαπλών λειτουργιών, το οποίο βρίσκεται στο επάνω κάλυμμα του ακουστικού, βλ. Διάγραμμα 1. Τα στοιχεία ελέγχου του κουμπιού πολλαπλών λειτουργιών είναι ως εξής:

#### Αναπαραγωγή πολυμέσων:

Λειτουργία	Ενέργεια
Αναπαραγωγή ή παύση	Πατήστε μία φορά το κουμπί πολλαπλών λειτουργιών.
Αναπαραγωγή επόμενου κομματιού	Πατήστε γρήγορα δύο φορές το κουμπί πολλαπλών λειτουργιών.
Αναπαραγωγή προηγούμενου κομματιού	Πατήστε γρήγορα τρεις φορές το κουμπί πολλαπλών λειτουργιών.

#### Λειτουργικότητα τηλεφωνικής κλήσης:

Λειτουργία	Ενέργεια
Απάντηση κλήσης	Πατήστε μία φορά το κουμπί πολλαπλών λειτουργιών για την εισερχόμενη κλήση.
Λήξη κλήσης	Όταν λαμβάνετε μια εισερχόμενη κλήση, πατήστε δύο φορές γρήγορα το κουμπί πολλαπλών λειτουργιών.
Απόρριψη εισερχόμενης κλήσης	Πατήστε γρήγορα δύο φορές το κουμπί πολλαπλών λειτουργιών για την εισερχόμενη κλήση.

## 3. Έξυπνες δυνατότητες

### 3.1 Προσαρμοστική εξουδετέρωση θορύβου

Η εξουδετέρωση θορύβου είναι μια σειρά εξελιγμένων τεχνολογιών που βοηθούν στην εξάλειψη ανεπιθύμητου θορύβου από το περιβάλλον.

Τα P17 διαθέτουν τις τελευταίες μας καινοτομίες στην προσαρμοστική εξουδετέρωση θορύβου, οι οποίες περιλαμβάνουν έξυπνη ανίχνευση που προσαρμόζει την εξουδετέρωση θορύβου στις ρυθμίσεις που είναι καλύτερες για το περιβάλλον σας. Καθώς το περιβάλλον σας αλλάζει, η εξουδετέρωση θορύβου προσαρμόζεται αυτόματα ώστε να ταιριάζει καλύτερα στο νέο περιβάλλον σας.

Τα χαρακτηριστικά εξουδετέρωσης θορύβου ενεργοποιούνται με το πάτημα του κουμπιού πολλαπλών λειτουργιών του αριστερού (L) ακουστικού για 1 δευτερόλεπτο, ενώ με πρόσθετα πατήματα του 1 δευτερολέπτου επιλέγονται εναλλακτικά οι τρόποι λειτουργίας: Ενεργοποίηση, αυτόματος ή απενεργοποίηση. Ανατρέξτε στο διάγραμμα 2 για τη θέση των κουμπιών.

Λειτουργία	Εφαρμογή
Ενεργοποιημένο	Εξουδετερώνει τον ανεπιθύμητο θόρυβο από το περιβάλλον.
Αυτόματη	Προσαρμόζει έξυπνα την εξουδετέρωση θορύβου στις ρυθμίσεις που είναι καλύτερες για το τρέχον περιβάλλον σας.
Απενεργή	Απενεργοποιεί τη δυνατότητα εξουδετέρωσης θορύβου.

### 3.2 Φωνητική βοήθεια

Η φωνητική βοήθεια ενεργοποιείται με το πάτημα του κουμπιού πολλαπλών λειτουργιών του δεξιού (R) ακουστικού επί 1 δευτερόλεπτο. Ανατρέξτε στο διάγραμμα 2 για τη θέση των κουμπιών.

### 3.3 Διέλευση ήχου περιβάλλοντος

Τα P17 διαθέτουν τη δυνατότητα διέλευσης ήχου περιβάλλοντος, η οποία επιτρέπει να ακούγονται ορισμένοι εξωτερικοί θόρυβοι από το περιβάλλον, όπως οι ανακοινώσεις ασφαλείας ή οι συζητήσεις, χωρίς να αφαιρεθούν τα ακουστικά.

Η διέλευση ήχου περιβάλλοντος μπορεί να ενεργοποιηθεί ή να απενεργοποιηθεί μέσω της εφαρμογής των ακουστικών Bowers & Wilkins. Το επίπεδο διέλευσης ήχου περιβάλλοντος, Υψηλή/Χαμηλή/Απενεργοποιημένη, μπορεί να ρυθμιστεί ανάλογα με τις ανάγκες σας μέσω της εφαρμογής.

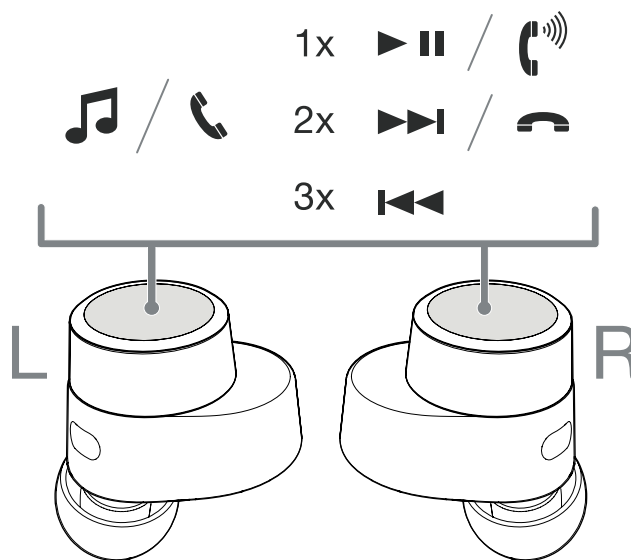
## 3.4 Αισθητήρες χρήσης

Τα P17 ενσωματώνουν τους πιο πρόσφατους, ενισχυμένους αισθητήρες χρήσης και στα δύο ακουστικά. Οι αισθητήρες διευκολύνουν την έξυπνη παρακολούθηση της μπαταρίας, με τη μετάβαση στη λειτουργία εξοικονόμησης ενέργειας όταν αφαιρεθούν από τα αυτιά. Όταν τα φοράτε ξανά, τα P17 επανενεργοποιούνται αυτόματα και συνδέονται με τη συσκευή Bluetooth που συνδέθηκε τελευταία.

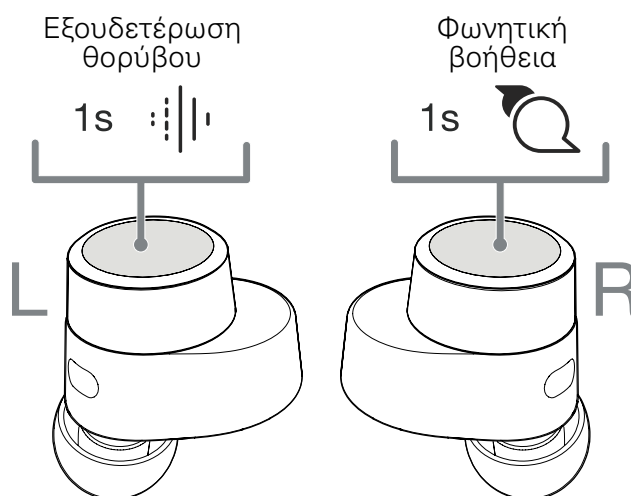
Οι αισθητήρες θέτουν, επίσης, τον ήχο σε παύση όταν τα ακουστικά αφαιρεθούν από τα αυτιά σας. Η αναπαραγωγή θα συνεχιστεί αυτόματα όταν το ακουστικό τοποθετηθεί ξανά μέσα στο αυτί. Η αυτόματη συνέχεια αναπαραγωγής έχει βελτιστοποιηθεί περαιτέρω, έτσι ώστε να είναι έτοιμη μόνο όταν είστε και εσείς.

Ο αισθητήρας χρήσης μπορεί να απενεργοποιηθεί από την εφαρμογή των ακουστικών Bowers & Wilkins.

*Σημείωση: Προσέχετε ιδιαίτερα όταν φοράτε τα ακουστικά σας. Εάν παγιδευτούν μαλλιά ή αξεσουάρ ανάμεσα στα αυτιά σας και τα ακουστικά, ενδέχεται να δημιουργηθεί πρόβλημα στους αισθητήρες εγγύτητας.*



Διάγραμμα 1  
Κουμπί πολλαπλών λειτουργιών



Διάγραμμα 2  
Χειριστήρια ακουστικών

#### 4. Τύλιγμα των ακουστικών

Όταν δεν χρησιμοποιούνται, τα ακουστικά P17 θα πρέπει να αποθηκεύονται μέσα στη θήκη φόρτισης, όπου θα επαναφορτίζονται και θα είναι έτοιμα για μελλοντική χρήση.

#### 5. Φόρτιση της μπαταρίας

Τα P17 παραδίδονται με τη θήκη και τις μπαταρίες των ακουστικών μερικώς φορτισμένες και μπορούν να χρησιμοποιηθούν αμέσως. Ως βέλτιστη πρακτική, συνιστούμε να φορτίζετε πλήρως τα ακουστικά πριν από την πρώτη χρήση. Αφήστε τα ακουστικά να φορτίσουν έως 3 ώρες για πλήρη φόρτιση.

Για να φορτίσετε τα ακουστικά P17:

1. Τοποθετήστε τα ακουστικά P17 στη θήκη φόρτισης.
2. Κλείστε το καπάκι της θήκης φόρτισης.

Για φόρτιση της θήκης φόρτισης P17:

1. Χρησιμοποιήστε το παρεχόμενο καλώδιο φόρτισης USB και συνδέστε το βύσμα USB σε έναν φορτιστή τοίχου USB ή σε μια ρευματοφόρο υποδοχή USB υπολογιστή.
2. Στη συνέχεια, συνδέστε το άκρο USB-C στην υποδοχή USB-C της θήκης φόρτισης.

*Σημείωση: Κατά τη διάρκεια της φόρτισης, η ενδεικτική λυχνία της θήκης αναβοσβήνει με πράσινο χρώμα. Όταν φορτιστούν πλήρως, η ενδεικτική λυχνία παραμένει αναμμένη. Η θήκη μπορεί να φορτιστεί με ή χωρίς τα ακουστικά τοποθετημένα στο εσωτερικό της.*

Για να φορτίσετε τη θήκη P17 με έναν ασύρματο σταθμό φόρτισης:

1. Τοποθετήστε τη θήκη φόρτισης σε έναν ασύρματο σταθμό φόρτισης.
2. Βεβαιωθείτε ότι το πίσω μέρος της θήκης φόρτισης βρίσκεται επάνω στον σταθμό φόρτισης (με την ενδεικτική λυχνία της θήκης στραμμένη προς τα επάνω).

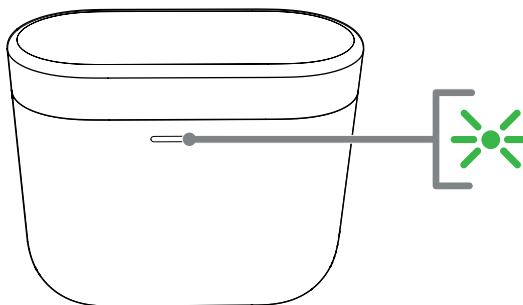
*Σημείωση: Κατά τη διάρκεια της φόρτισης, η ενδεικτική λυχνία της θήκης αναβοσβήνει με πράσινο χρώμα. Όταν φορτιστούν πλήρως, η ενδεικτική λυχνία παραμένει αναμμένη.*

##### 5.1 Ενδεικτική λυχνία κατάστασης

Η ενδεικτική λυχνία κατάστασης βρίσκεται στο εμπρός μέρος της θήκης. Όταν τα ακουστικά είναι τοποθετημένα μέσα στη θήκη, η ενδεικτική λυχνία LED παρέχει πληροφορίες σχετικά με τα ακουστικά. Όταν τα ακουστικά αφαιρεθούν από τη θήκη, η ενδεικτική λυχνία LED παρέχει πληροφορίες σχετικά με τη θήκη φόρτισης. Ανατρέξτε στο διάγραμμα 3 για τις καταστάσεις της ενδεικτικής λυχνίας LED.

##### 5.2 Έλεγχος στάθμης φόρτισης μπαταρίας

Μπορείτε να ελέγξετε τη στάθμη φόρτισης της μπαταρίας πατώντας μία φορά το κουμπί στο εξωτερικό της θήκης. Όταν και τα δύο ακουστικά είναι φυλαγμένα μέσα στη θήκη, πατήστε το ίδιο κουμπί δύο φορές για να δείτε τη στάθμη φόρτισης της μπαταρίας των ακουστικών. Ανατρέξτε στο διάγραμμα 4 για τη θέση των κουμπιών.



Με τα ακουστικά τοποθετημένα στη θήκη φόρτισης.

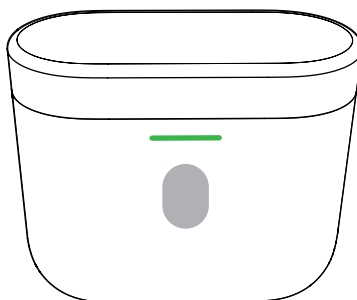
Φωτισμός		Κατάσταση Λειτουργίας
Πράσινο (καπάκι θήκης ανοιχτό)		Φόρτιση μπαταρίας ακουστικών > 40%
Κίτρινο (μετά την ενεργοποίηση)		Φόρτιση μπαταρίας ακουστικών >20%, <40%
Κόκκινο (μετά την ενεργοποίηση)		Φόρτιση μπαταρίας ακουστικών <20%
Κόκκινο (αναβοσβήνει)		Επαναφορά εργοστασιακών ρυθμίσεων ακουστικών
Κόκκινο (σταθερό)		Επαναφορά μέσω υλικού/κατάρρευση συστήματος
Μπλε (αναβοσβήνει)		Λειτουργία σύζευξης ενεργοποιημένη
Μπλε χρώμα (ανάβει σταθερά για 3 δευτ.)		Επιτυχής σύζευξη

Με τα ακουστικά να έχουν αφαιρεθεί από τη θήκη φόρτισης

Φωτισμός		Κατάσταση Λειτουργίας
Πράσινο (καπάκι θήκης ανοιχτό)		Φόρτιση μπαταρίας > 40%
Κίτρινο (μετά την ενεργοποίηση)		Φόρτιση μπαταρίας >20%, <40%
Κόκκινο (μετά την ενεργοποίηση)		Φόρτιση μπαταρίας <20%
Κόκκινο (αναβοσβήνει)		Επαναφορά εργοστασιακών ρυθμίσεων
Κόκκινο (σταθερό)		Επαναφορά μέσω υλικού/κατάρρευση συστήματος

Διάγραμμα 3

Φωτισμός ενδεικτικής λυχνίας κατάστασης



Διάγραμμα 4

Ενδεικτική λυχνία μπαταρίας θήκης και ακουστικών

## 6. Συνδεσιμότητα Bluetooth

### 6.1 Σύζευξη

Τα ακουστικά PI7 είναι σχεδιασμένα για ασύρματη ροή μουσικής από συσκευές ήχου Bluetooth, όπως smartphone, tablet ή προσωπικούς υπολογιστές. Για να γίνει αυτό, τα ακουστικά και η συσκευή πρέπει πρώτα να συζευχθούν.

Όταν παραλάβετε τα ακουστικά PI7 σας, αυτά θα είναι έτοιμα προς σύζευξη με οποιαδήποτε συσκευή ήχου Bluetooth.

#### 6.1.1 Σύστημα iOS/Android χωρίς Google FastPair.

1. Πραγματοποιήστε λήψη της εφαρμογής ακουστικών Bowers & Wilkins.
2. Ανοίξτε το καπάκι της θήκης, η ενδεικτική λυχνία της θήκης θα αναβοσβήνει με μπλε χρώμα.
3. Μεταβείτε στο μενού σύζευξης Bluetooth της συσκευής σας και επιλέξτε «Bowers & Wilkins PI7» από τη λίστα συσκευών.
4. Η ενδεικτική λυχνία της θήκης θα μείνει σταθερά αναμμένη με μπλε χρώμα, υποδεικνύοντας ότι η σύζευξη ήταν επιτυχής.
5. Ανοίξτε την εφαρμογή Bowers & Wilkins και προσθέστε τα ακουστικά.

*Σημείωση: Αν δεν συζευχθεί καμία συσκευή μέσα σε 5 λεπτά, τα ακουστικά σας θα εξέλθουν αυτόματα από τη λειτουργία σύζευξης Bluetooth. Αν η σύζευξη αποτύχει, η ενδεικτική λυχνία θα αναβοσβήνει γρήγορα με μπλε χρώμα. Προσπαθήστε ξανά να πραγματοποιήσετε σύζευξη.*

Για σύζευξη με την επόμενη συσκευή. Ανατρέξτε στο διάγραμμα 5.

1. Ανοίξτε το καπάκι της θήκης, με τα ακουστικά τοποθετημένα στο εσωτερικό της.
2. Πατήστε παρατεταμένα το κουμπί στο εσωτερικό της θήκης επί 1 έως 5 δευτερόλεπτα. Η ενδεικτική λυχνία της θήκης θα αναβοσβήνει με μπλε χρώμα.
3. Μεταβείτε στο μενού σύζευξης Bluetooth της νέας συσκευής σας και επιλέξτε «Bowers & Wilkins PI7» από τη λίστα συσκευών.
4. Η ενδεικτική λυχνία της θήκης θα μείνει σταθερά αναμμένη με μπλε χρώμα, υποδεικνύοντας ότι η σύζευξη ήταν επιτυχής.

Τα ακουστικά PI7 μπορούν να απομνημονεύσουν έως και 3 συζευγμένες συσκευές Bluetooth. Επαναλάβετε τα παραπάνω βήματα για να συζευξέτε περισσότερες συσκευές.

*Σημείωση: Αν δεν συζευχθεί καμία συσκευή μέσα σε 5 λεπτά, τα ακουστικά σας θα εξέλθουν αυτόματα από τη λειτουργία σύζευξης Bluetooth. Αν η σύζευξη αποτύχει, η ενδεικτική λυχνία θα αναβοσβήνει γρήγορα με μπλε χρώμα. Προσπαθήστε ξανά να πραγματοποιήσετε σύζευξη.*

#### 6.1.2 Google FastPair (για σύστημα Android που διαθέτει τη λειτουργία GFP)

Για να προσθέσετε τα ακουστικά σας:

1. Τοποθετήστε τη θήκη σε απόσταση όχι μεγαλύτερη από 10 cm (4 in.) από τη συσκευή Android (με το BT ενεργοποιημένο) και ανοίξτε το καπάκι της θήκης των PI7.
2. Θα αναδυθεί ένα παράθυρο ειδοποίησης του GFP (Google FastPair), στο οποίο θα εμφανίζεται η ένδειξη «Bowers & Wilkins PI7 detected» (Εντοπίστηκαν Bowers & Wilkins PI7) και θα σας ζητήσει να εκκινήσει η διαδικασία σύζευξης.
3. Πατήστε το κουμπί «Notification» στο παράθυρο για να επιτρέψετε τη σύζευξη. Η επιτυχής σύνδεση θα εμφανιστεί στο παράθυρο του GFP.
4. Αφού γίνει σύζευξη:
  - ο Το παράθυρο GFP θα σας κατευθύνει στο κατάστημα Google Play για να πραγματοποιήσετε λήψη και εγκατάσταση της εφαρμογής Bowers & Wilkins.
  - ο Στο παράθυρο του GFP φαίνεται η στάθμη φόρτισης των μπαταριών του L/R ακουστικού και της θήκης

#### 6.2 Αποσύνδεση από συσκευή

Μπορείτε να αποσυνδέσετε γρήγορα τα PI7 από μια συσκευή, τοποθετώντας τα ακουστικά και πάλι στη θήκη. Εναλλακτικά, μπορείτε να διαχειριστείτε τη σύνδεση με περισσότερες λεπτομέρειες χρησιμοποιώντας την επιλογή Connections (Συνδέσεις) στην εφαρμογή Bowers & Wilkins Headphones.

#### 6.3 Χαρακτηριστικά εφαρμογών

Η εφαρμογή Bowers & Wilkins Headphones παρέχει εκτεταμένες λειτουργίες ρύθμισης για δυνατότητες όπως οι Adaptive Noise Cancellation (Προσαρμοστική εξουδετέρωση θορύβου), Ambient Pass-Through (Διέλευση ήχου περιβάλλοντος) και Wear Sensing (Ανίχνευση χρήσης). Η εφαρμογή παρέχει επίσης επιπλέον επιλογές προσαρμογής, όπως φωνητικές προτροπές, επίπεδο διέλευσης ήχου περιβάλλοντος, διαχείριση συνδέσεων και ενημερώσεις λογισμικού ακουστικών. Η εφαρμογή είναι διαθέσιμη για δωρεάν λήψη σε συσκευές με λειτουργικό σύστημα iOS και Android.

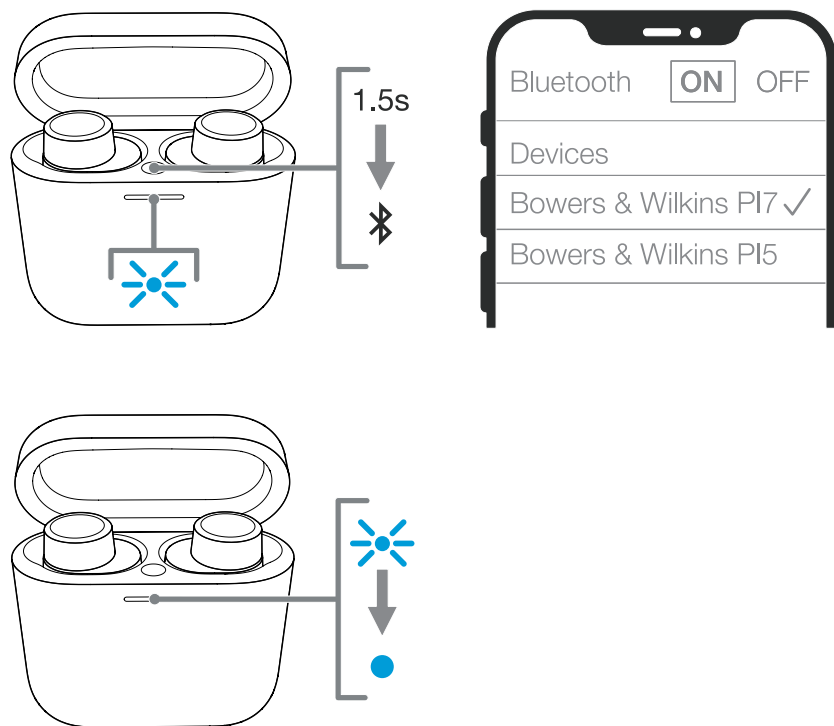
Για να προσθέσετε τα ακουστικά σας:

1. Από τη φορητή συσκευή σας, κάντε λήψη και εγκατάσταση της εφαρμογής Bowers & Wilkins Headphones.
2. Εκκινήστε την εφαρμογή και, στη συνέχεια, διαβάστε και ακολουθήστε τις οδηγίες που αφορούν τις ειδοποιήσεις και τα δικαιώματα της εφαρμογής.
3. Αφού φτάσετε στην κύρια οθόνη, απλά πατήστε το + και ακολουθήστε τις οδηγίες που εμφανίζονται στην εφαρμογή.

#### 6.4 Ενημερώσεις λογισμικού ακουστικών

Κατά καιρούς, η Bowers & Wilkins θα καθιστά διαθέσιμες ενημερώσεις λογισμικού που αναβαθμίζουν και βελτιστοποιούν την απόδοση των ακουστικών σας ή προσθέτουν νέες δυνατότητες.

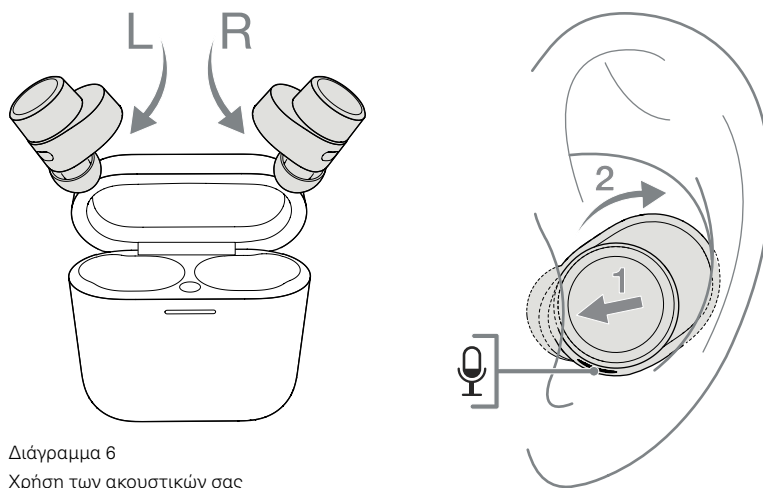
Η εφαρμογή Bowers & Wilkins Headphones θα σας ειδοποιεί όταν είναι διαθέσιμη μια ενημέρωση λογισμικού. Πατήστε στην ειδοποίηση και ακολουθήστε τις οδηγίες που εμφανίζονται στην εφαρμογή.



Διάγραμμα 5  
Σύζευξη Bluetooth - επόμενη συσκευή

## 7. Χρήση των ακουστικών σας

Η σωστή χρήση των ακουστικών σας θα διασφαλίσει ότι θα έχετε την καλύτερη δυνατή εμπειρία. Ανατρέξτε στο διάγραμμα 6. Όπως πολλά άλλα ενδωστικά ακουστικά, τα ακουστικά P17 είναι σχεδιασμένα ώστε να σφραγίζουν τον ακουστικό πόρο για να έχουν βέλτιστη απόδοση. Τα καλύμματα παρέχονται σε τρία μεγέθη (μικρό, μεσαίο και μεγάλο). Η επιλογή του σωστού μεγέθους για τα αυτιά σας είναι σημαντική για να επιτευχθεί καλή σφράγιση και να διασφαλιστεί η βέλτιστη απόδοση των P17 και των εξελιγμένων δυνατοτήτων, όπως η προσαρμοστική εξουδετέρωση θορύβου.



Διάγραμμα 6  
Χρήση των ακουστικών σας

1. Εντοπίστε το αριστερό και το δεξί ακουστικό, βρίσκοντας τις ενδείξεις L και R που βρίσκονται στην εσωτερική πλευρά του κάθε ακουστικού.
2. Τοποθετήστε τα ακουστικά στο εσωτερικό του αυτιού σας και περιστρέψτε το ακουστικό ελαφρά προς τα πίσω, έτσι ώστε τα καλύμματα να τοποθετηθούν άνετα στο άνοιγμα του ακουστικού πόρου.
3. Εάν το κάλυμμα του ακουστικού σας φαίνεται πολύ μεγάλο ή πολύ μικρό, δοκιμάστε άλλο μέγεθος καλύμματος ακουστικού για να διασφαλίσετε την καλύτερη εφαρμογή.

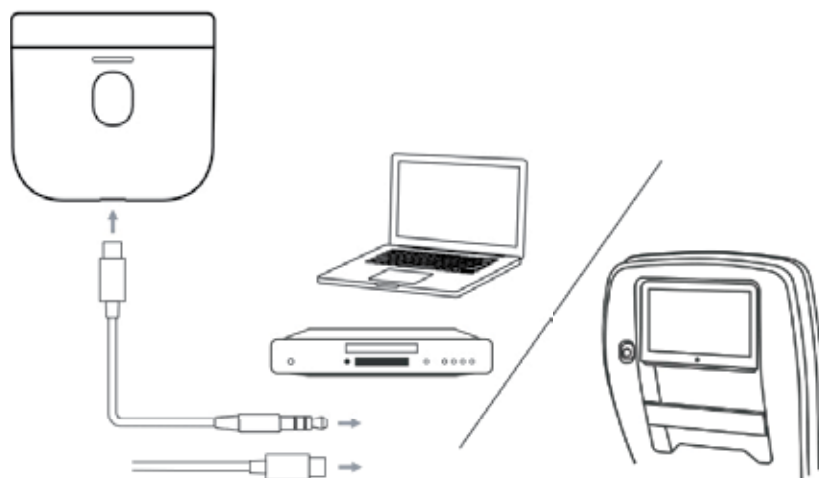
*Σημείωση: Για να βελτιστοποιήσετε την ποιότητα της κλήσης, διασφαλίστε ότι το μικρόφωνο που βρίσκεται κάτω από το ακουστικό είναι στραμμένο προς τα έξω, ανατρέξτε στο διάγραμμα 6.*

## 8. Ροή δεδομένων πολυμέσων

### 8.1 Σύνδεση της θήκης σας σε πηγή πολυμέσων με το παρεχόμενο καλώδιο USB-C σε 3,5 mm ή USB-C σε C για ροή δεδομένων πολυμέσων, ανατρέξτε στο διάγραμμα 7.

1. Συνδέστε το παρεχόμενο καλώδιο στη θήκη και στη συσκευή πηγής.
2. Τα P17 σας θα αρχίσουν αυτόματα τη ροή δεδομένων.

*Σημείωση: Για χρήστες Mac που κάνουν ροή δεδομένων για 1η φορά, μεταβείτε στο στοιχείο ελέγχου εξόδου, στο παράθυρο Sound Setting (Ρύθμιση ήχου) και επιλέξτε «Bowers & Wilkins P17».*



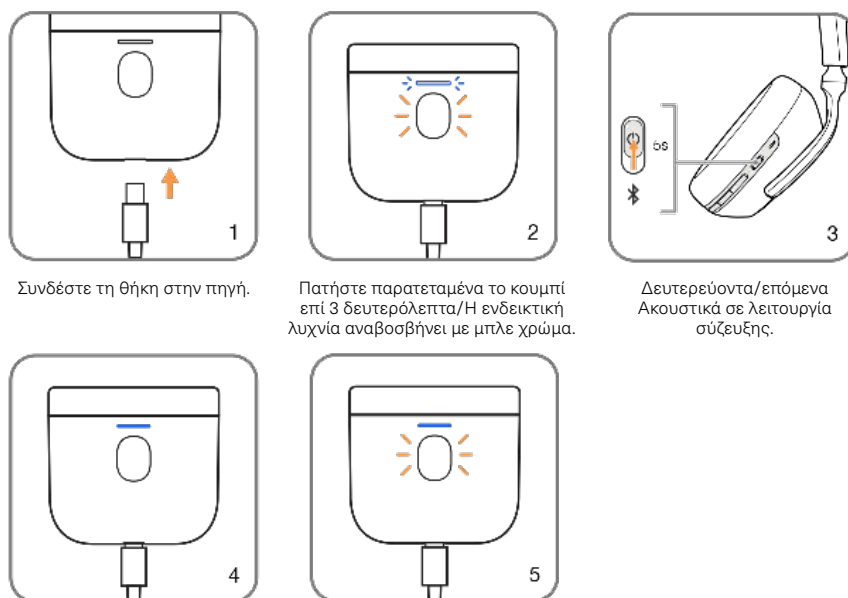
Διάγραμμα 7  
Ροή δεδομένων πολυμέσων

### 8.2 Σύζευξη δευτερευόντων/επόμενων ακουστικών (MONO Bowers & Wilkins) στη θήκη για ροή δεδομένων πολυμέσων, ανατρέξτε στο διάγραμμα 8.

Η θήκη σας μπορεί να πραγματοποιήσει σύζευξη και με άλλα ακουστικά Bowers & Wilkins για ροή δεδομένων πολυμέσων.

1. Συνδέστε το παρεχόμενο καλώδιο στη θήκη και στη συσκευή πηγής.
2. Πατήστε παρατεταμένα το εξωτερικό κουμπί για 3 δευτερόλεπτα, ωστόσο η ενδεικτική λυχνία LED αρχίζει να αναβοσβήνει με μπλε χρώμα.
3. Ρυθμίστε τα ακουστικά σε λειτουργία σύζευξης.
4. Η ενδεικτική λυχνία LED της θήκης θα μείνει σταθερά αναμμένη με μπλε χρώμα, υποδεικνύοντας ότι η σύνδεση ολοκληρώθηκε.
5. Αφού ολοκληρωθεί η σύζευξη, πατήστε το εξωτερικό κουμπί της θήκης:
  - 1 φορά για ΕΝΑΡΞΗ της ροής δεδομένων
  - 2 φορές για ΤΕΡΜΑΤΙΣΜΟ της ροής δεδομένων

*Σημείωση: Κατά τη διάρκεια της χρήσης των δευτερευόντων ακουστικών και τα δύο ακουστικά πρέπει να βρίσκονται στο εσωτερικό της θήκης. Αφού ολοκληρωθεί η σύζευξη των επόμενων ακουστικών, το ιστορικό σύζευξης θα διαγραφεί.*



Η ενδεικτική λυχνία ανάβει σταθερά με μπλε χρώμα αφού ολοκληρωθεί η σύζευξη.

Πατήστε το κουμπί 1 φορά για έναρξη, 2 φορές για τερματισμό.

Διάγραμμα 8  
Ροή δεδομένων σε δευτερεύοντα/επόμενα ακουστικά

## 9. Επαναφορά/Αντιμετώπιση προβλημάτων

### 9.1 Επαναφορά εργοστασιακών ρυθμίσεων

Μπορείτε να απαλείψετε το ιστορικό συζευγμένων συσκευών και να επαναφέρετε όλες τις ρυθμίσεις στις προεπιλογές τους.

Για να πραγματοποιήσετε επαναφορά των εργοστασιακών ρυθμίσεων στα ακουστικά σας, ανοίξτε τη θήκη φόρτισης με τα ακουστικά τοποθετημένα στο εσωτερικό. Πατήστε παρατεταμένα το κουμπί στο εσωτερικό της θήκης επί 5 δευτερόλεπτα και ελευθερώστε το. Η ενδεικτική λυχνία της θήκης θα ανάψει με κόκκινο χρώμα, υποδεικνύοντας την επαναφορά.

*ΣΗΜΕΙΩΣΗ: Σε περίπτωση που τα ακουστικά δεν λειτουργούν κανονικά, πραγματοποιήστε επαναφορά εργοστασιακών ρυθμίσεων για να λυθεί το πρόβλημα.*

### 9.2 Επαναφορά μέσω υλικού

Για να πραγματοποιήσετε επαναφορά μέσω υλικού στα ακουστικά σας, ανοίξτε τη θήκη με τα ακουστικά τοποθετημένα στο εσωτερικό. Πατήστε παρατεταμένα το κουμπί στο εσωτερικό της θήκης επί 15 δευτερόλεπτα, ωσότου η ενδεικτική λυχνία LED σβήσει και ανάψει με πράσινο χρώμα, υποδεικνύοντας την ολοκλήρωση της διαδικασίας επαναφοράς μέσω υλικού.

*ΣΗΜΕΙΩΣΗ: Σε περίπτωση σοβαρής κατάρρευσης του συστήματος (η ενδεικτική λυχνία LED ανάβει σταθερά με κόκκινο χρώμα), πραγματοποιήστε επαναφορά μέσω υλικού.*

## 10. Φροντίδα των ακουστικών σας

Τα ακουστικά σας μπορούν να καθαριστούν με προσεκτικό σκούπισμα με ένα υγρό ύφασμα, ωστόσο καθαρίσουν. Μη χρησιμοποιείτε απορρυπαντικά καθαρισμού, οινόπνευμα για εντριβές ή χημικά καθαριστικά/στιλβωτικά, γιατί ενδέχεται να προκληθεί ζημιά στα ακουστικά σας.

## 11. Σέρβις/Υποστήριξη

Αν χρειάζεστε βοήθεια με την αντιμετώπιση ενός συγκεκριμένου προβλήματος ή απλά έχετε κάποια ερώτηση που θα θέλατε να απαντηθεί, συμβουλευτείτε αρχικά την ενότητα υποστήριξης Ακουστικών στη διαδικτυακή τοποθεσία της Bowers & Wilkins: [www.bowerswilkins.com](http://www.bowerswilkins.com).

## Προδιαγραφές

Τεχνικά χαρακτηριστικά	Τεχνολογία True Wireless Bluetooth 5.0 με τεχνολογία AptX Adaptive Αυτόματο ANC Ροή δεδομένων ήχου από θήκη φόρτισης Ασύρματη φόρτιση και φόρτιση USB-C Υποστήριξη ταχείας φόρτισης
Codec για Bluetooth	AptX – Adaptive AptX – HD AptX – Low Latency AptX – Classic AAC SBC
Προφίλ Bluetooth	A2DP v1.3.1 AVRCP v1.6.1 HFP v1.7.1 HSP v1.2 BLE GATT (Generic Attribute Profile)
Ζώνη συχνοτήτων	Λειτουργία Tx: 2.402 MHz έως 2.480 MHz, ζώνη ISM, Λειτουργία Rx: 2.402 MHz έως 2.480 MHz, ζώνη ISM
Ισχύος εξόδου ραδιοσυχνότητας	< 0r = 10,0 dBm
Μονάδες οδήγησης	Dynamic Drive 9,2 mm με εξισορροπημένο οπλισμό
Εύρος συχνοτήτων	10 Hz έως 20 kHz
Παραμόρφωση (THD)	< 0,3% (1 kHz/10 mW)
Διάρκεια ζωής μπαταρίας	Έως 4 ώρες Bluetooth
Φόρτιση	Φόρτιση 15 λεπτών = 2 ώρες Bluetooth
Είσοδοι	Bluetooth
Βάρος	7 g για τα ακουστικά, 61 g για τη θήκη φόρτισης

## Vítejte u Bowers & Wilkins a PI7

Děkujeme Vám, že jste si zvolili značku Bowers & Wilkins. Když John Bowers zakládal naši firmu, věřil, že nápadité provedení, novátorský přístup a pokročilé technologie jsou klíčem otevírajícím dveře kvalitní reprodukci. Touto filozofií se dodnes inspirujeme, kdykoli tvoříme nový produkt.

PI7 jsou špičková sluchátka do uší, umožňující vychutnávat si zvuk ve vysoké kvalitě a díky technologiím pro bezdrátový provoz i potlačení okolního hluku nabízejí skvělý komfort. Tento manuál vám poskytne všechny informace potřebné k tomu, abyste ze sluchátek PI7 vytěžili maximum.

Sluchátka PI7 lze využít pro přehrávání hudby bezdrátově streamované po Bluetooth z vašeho mobilního telefonu, tabletu či počítače. Samozřejmě je můžete využívat i pro bezdrátové telefonování.

Technologie Real World Listening zahrnuje u sluchátek PI7 funkce Adaptive Noise Cancellation (adaptivní potlačení okolního hluku), Ambient Pass-through (průchod hlasu a zvuků z okolí) a vylepšenou funkci Wear Sensing (senzor nošení).

Naše funkce potlačení okolního hluku nejnovější generace má inteligentní schopnosti snímání hluku okolního prostředí a automaticky vybírá vhodný typ potlačení, který nejlépe vyhovuje dané situaci. Jejím jediným cílem je poskytovat nekompromisní zážitek z poslechu. Ambient Pass-Through zase umožňuje zřetelné slyšení externích zvuků, jako jsou konverzace nebo bezpečnostní oznámení, bez nutnosti sundávat sluchátka. Funkce Wear Sensing umožňuje sluchátkům PI7 přirozeně reagovat – pozastaví či obnoví přehrávání při vysunutí či zasunutí sluchátka do ucha. Tyto funkce lze povolit/zakázat a dále přizpůsobit pomocí aplikace Bowers & Wilkins Headphones App, která je k dispozici zdarma pro zařízení iOS a Android.

PI7 obsahují také dobíjecí pouzdro s akumulátorem. Po úplném nabití, v závislosti na stupni Bluetooth, adaptivního potlačení šumu a používání funkce Ambient Pass Through, může akumulátor v pouzdru poskytovat sluchátkům energii až na 20 hodin bezdrátového streamování médií s aktivovanou funkcí potlačení hluku při průměrné úrovni hlasitosti přehrávání.



## 1. Balení sluchátek PI7 obsahuje

PI7 sluchátka s nasazenými náušníky velikosti M  
Dobíjecí pouzdro  
USB-C nabíjecí kabel a audio kabel USB-C na 3.5mm  
Náušníky dvou velikostí (S/L)  
Balíček dokumentů

## 2. Seznámení se sluchátký PI7

### 2.1 Zapínání a vypínání sluchátek

#### Zapnutí / vypnutí

U sluchátek PI7 je zapínání a vypínání automatické, proto zde není žádný vypínač. Po vložení do pouzdra se sluchátka začnou sama nabíjet a po vyjmutí z pouzdra budou připravena k použití.

Když jsou vaše sluchátka z nabíjecího pouzdra vyjmuta a po dobu 5 minut je nebudete používat, přejdou automaticky do režimu úspory energie. Z tohoto režimu je probudíte připojením spárovaného zařízení, započítáním streamování zvuku, nebo vložением sluchátek do uší.

### 2.2 Ovládání sluchátek

Každé sluchátko má multifunkční tlačítko umístěné na horním krytu sluchátek, viz obrázek 1. Ovládací povely multifunkčního tlačítka jsou následující:

#### Přehrávání médií:

Funkce	Akce
Přehrávání či pozastavení	Stiskněte 1x multifunkční tlačítko
Přechod na následující skladbu	Stiskněte multifunkční tlačítko 2x v rychlém sledu
Přechod na předchozí skladbu	Stiskněte multifunkční tlačítko 3x v rychlém sledu

#### Telefonování:

Funkce	Akce
Přijmutí hovoru	Při přichozím hovoru stiskněte 1x multifunkční tlačítko
Ukončení hovoru	Během hovoru stiskněte 2x v rychlém sledu multifunkční tlačítko
Odmítnutí hovoru	Při přichozím hovoru stiskněte 2x v rychlém sledu multifunkční tlačítko

## 3. Inteligentní funkce

### 3.1 Adaptivní potlačení šumu

Potlačení šumu zahrnuje řadu pokročilých technologií, které pomáhají při odstraňování nežádoucího hluku z okolního prostředí.

Mikrofony ve sluchátkách PI7 snímají okolní hluk a díky našim nejnovějším inovacím v systému adaptivního potlačení šumu dokáže tato funkce zvolit takovou formu a míru potlačení, která se nejlépe hodí pro danou situaci. Změní-li se charakter hluku okolního prostředí, změní se i způsob potlačení.

Funkce potlačení hluku je aktivována stisknutím multifunkčního tlačítka na levém (L) sluchátku na 1 vteřinu, další 1s stisky cyklicky přepínají mezi režimy: Zapnuto, Auto, nebo Vypnuto. Umístění tlačítka je znázorněno na obr. 2.

Režim	Aplikace
On (zapnuto)	Odstraňuje nežádoucí hluk pronikající z okolního prostředí.
Auto	Inteligentně řídí potlačování hluku okolního prostředí v závislosti na jeho charakteru
Off (vypnuto)	Funkce potlačení hluku je vypnuta

### 3.2 Voice Assistance (Hlasová pomoc)

Funkce Voice Assistance se aktivuje stisknutím multifunkčního tlačítka na pravém sluchátku (R), po dobu 1 vteřiny. Umístění tlačítka je znázorněno na obr. 2.

### 3.3 Ambient Pass-Through (Průchod zvuku z okolí)

Sluchátka PI7 jsou vybavena Ambient pass-through, která umožňuje průchod některým zvukům z okolí. Tuto funkci využijete, chcete-li slyšet například bezpečnostní oznámení či hovory bez nutnosti vyjmout sluchátka z uší.

Funkci Ambient pass-through lze povolit nebo zakázat prostřednictvím aplikace Bowers & Wilkins Headphone. Úroveň průchodu okolního prostředí může být prostřednictvím aplikace přepnuta tak (vysoká / nízká / vypnuto), aby to vyhovovalo vašim potřebám.

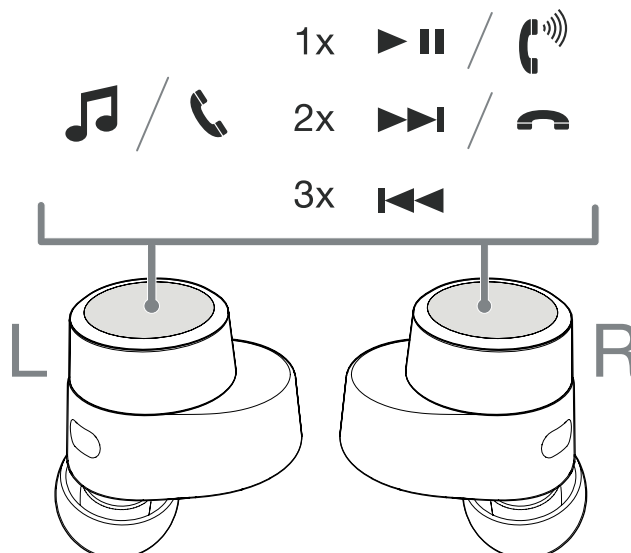
### 3.4 Wear Sensors (Senzory nošení)

Sluchátka PI7 jsou také vybavena vylepšenou detekcí nošení, se senzory v obou sluchátkách. Když sluchátka vyjmete z uší, senzory to zaregistrují a přepnou sluchátka do úsporného režimu. Vložíte-li sluchátka zpět do uší, senzory je opět aktivují a sluchátka se připojí k naposledy používanému Bluetooth zařízení.

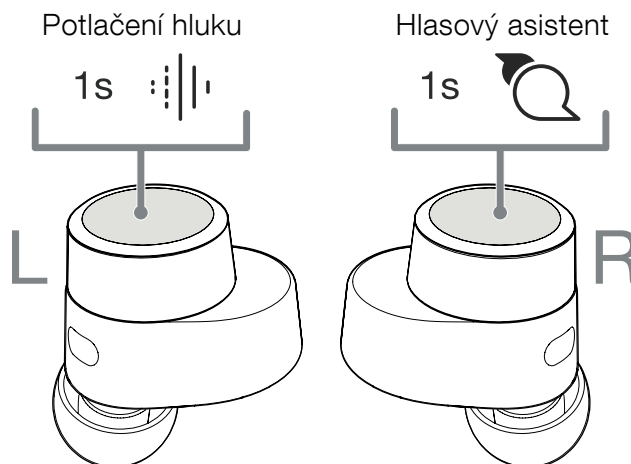
Při vyjmutí sluchátek z uší také mohou senzory pozastavit přehrávání na Bluetooth zařízení a po vložení sluchátek zpět do uší bude přehrávání opět spuštěno od místa, kde bylo předtím zastaveno.

Senzory nošení lze vypnout pomocí aplikace Bowers & Wilkins Headphones App.

*Poznámka: Funkce senzorů nošení nemusí fungovat správně, pokud by se mezi sluchátka a vaše ucho dostaly vlasy apod.*



Obrázek 1  
Multifunkční tlačítko



Obrázek 2  
Ovládání sluchátek

#### 4. Uložení sluchátek

Pokud se sluchátka PI7 nepoužívají, měla by být uložena do nabíjecího pouzdra, kde budou dobíjena a připravena pro budoucí použití.

#### 5. Nabíjení baterie

Sluchátka PI7 se dodávají s částečně nabitými akumulátory sluchátek i pouzdra, takže je možné jejich okamžité použití. Nicméně přesto doporučujeme sluchátka před prvním použitím nabít do plné kapacity, což může trvat až 3 hodiny.

Nabíjení sluchátek PI7:

1. Vložte sluchátka PI7 do nabíjecího pouzdra.
2. Zavřete víko nabíjecího pouzdra.

Nabíjení nabíjecího pouzdra PI7:

1. Použijte dodaný nabíjecí kabel USB a zapojte jeho USB konektor do nějakého dobíjecího USB adaptéru, nebo do napájené USB zásuvky na počítači.
2. Poté připojte konec USB-C konektor kabelu do USB-C zásuvky nabíjecího pouzdra.

*Poznámka: Během nabíjení bude indikátor pouzdra blikat zeleně. Po úplném nabití indikátor zůstane svítit. Pouzdro lze dobít jak se zasunutými sluchátky, tak prázdně.*

Nabíjení pouzdra PI7 bezdrátovou nabíjecí stanicí:

1. Položte nabíjecí pouzdro na bezdrátovou nabíjecí stanicí.
2. Ujistěte se, že pouzdro leží na nabíjecí stanicí svou zadní částí (tzn. Indikátory směrem vzhůru).

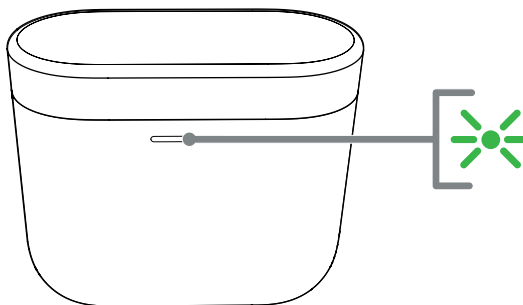
*Poznámka: Během nabíjení bude indikátor pouzdra blikat zeleně. Po úplném nabití zůstane svítit.*

#### 5.1 Indikátor stavu

Indikátor stavu se nachází na přední straně pouzdra. Když jsou sluchátka vložena do pouzdra, poskytuje LED indikátor informace o sluchátkách. Jsou-li sluchátka z pouzdra vyjmuta, poskytuje LED indikátor informace o stavu nabití samotného pouzdra. Stav LED indikátoru jsou popsány na obrázku 3.

#### 5.2 Kontrola stavu baterie

Úroveň nabití akumulátoru pouzdra můžete zkontrolovat jedním stisknutím tlačítka na vnější straně pouzdra. Jsou-li uvnitř pouzdra vložena sluchátka, můžete dvojitým stiskem tlačítka zkontrolovat také jejich akumulátory. Umístění tlačítka je znázorněno na obrázku 4.



Se sluchátky v pouzdru

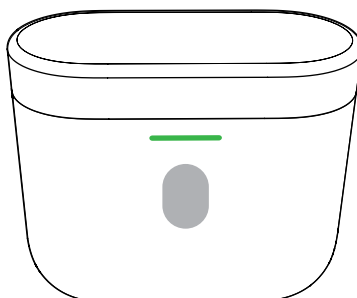
Stav kontrolky		Význam
Zelená (při otevřeném pouzdru)		Stav baterie sluchátek > 40%
Žlutá (po zapnutí)		Stav baterie sluchátek >20%, <40%
Červená (po zapnutí)		Stav baterie sluchátek <20%
Červená (blikající)		Reset sluchátek do továrního nastavení
Červená (stálá)		Tvrký reset / chyba systému
Modrá (blikající)		Párovací režim aktivní
Modrá (stálá po 3 vteřiny)		Úspěšně spárováno

Se sluchátky vyjmutými z pouzdra

Stav kontrolky		Význam
Zelená (při otevřeném pouzdru)		Stav baterie > 40%
Žlutá (po zapnutí)		Stav baterie >20%, <40%
Červená (po zapnutí)		Stav baterie <20%
Červená (blikající)		Reset sluchátek do továrního nastavení
Červená (stálá)		Tvrký reset / chyba systému

Obrázek 3

Vysvětlení stavů indikátoru



Obrázek 4

Indikátor baterie pouzdra a sluchátek

## 6. Připojení Bluetooth

### 6.1 Párování

Vaše sluchátka PI7 jsou navržena pro bezdrátové streamování hudby ze zvukových Bluetooth zařízení, jakými jsou např. smartphony, tablety, nebo počítače. Nejdříve je však potřeba sluchátka s Bluetooth zařízením spárovat.

Po prvním vybalení se sluchátka PI7 zapnou rovnou do párovacího režimu, budou tedy připravena k párování s jakýmkoli zvukovým zařízením Bluetooth.

#### 6.1.1 Systém iOS / Systém Android bez funkce Google FastPair.

1. Stáhněte si aplikaci Bowers & Wilkins Headphones app.
2. Otevřete víko pouzdra, indikátor pouzdra bude blikat modře.
3. Přejděte do nabídky Bluetooth ve vašem zařízení a vyberte „Bowers & Wilkins PI7“ ze seznamu zařízení.
4. Jakmile dojde ke spárování, přestane indikátor blikat a bude svítit stálým modrým světlem.
5. Otevřete aplikaci Bowers & Wilkins Headphones app a přidejte v ní vaše sluchátka.

*Poznámka: Sluchátka automaticky ukončí režim párování Bluetooth, pokud není žádné zařízení spárováno do 5 minut. Pokud se párování nezdaří, indikátor bude rychle modře blikat. V takovém případě zkuste prosím zařízení spárovat znovu.*

Spárování s dalším zařízením. Viz obrázek 5.

1. Otevřete víko pouzdra a mezi sloty pro zasunutí sluchátek najdete tlačítko se symbolem Bluetooth.
2. Tlačítko Bluetooth podržte stisknuté na 1 až 5 vteřin, dokud indikátor nezačne modře blikat.
3. Přejděte do nabídky Bluetooth ve vašem zařízení a vyberte „Bowers & Wilkins PI7“ ze seznamu zařízení.
4. Jakmile dojde ke spárování, přestane indikátor blikat a bude svítit stálým modrým světlem.

PI7 si pamatují až 3 spárovaná Bluetooth zařízení. Pro spárování dalších zařízení opakujte výše uvedený postup.

*Poznámka: Sluchátka automaticky ukončí režim párování Bluetooth, pokud není žádné zařízení spárováno do 5 minut. Pokud se párování nezdaří, indikátor bude rychle modře blikat. V takovém případě zkuste prosím zařízení spárovat znovu.*

### 6.1.2 Google FastPair (pro systém Android s funkcí GFP)

Přidání sluchátek:

1. Pouzdro sluchátek PI7 umístíte maximálně 10 cm od zařízení Android (povoleno BT) a otevřete víko pouzdra.
2. Na displeji Android zařízení se objeví okno s oznámením GFP (Google FastPair) a zobrazí se „Bowers & Wilkins PI7 detekováno“ spolu se žádostí o potvrzení zahájení párovacího procesu.
3. Klikněte na „notifikační“ tlačítko v okně na povolení párování a v GFP okně by se měla objevit hláška o úspěšném spárování.
4. Po spárování:
  - o Okno GFP vás přesměruje na obchod Google Play pro stáhnutí a instalaci aplikace Bowers & Wilkins Headphones App.
  - o V GFP okně budete moci vidět informaci o stavu akumulátorů sluchátek a pouzdra.

### 6.2 Odpojení od zařízení

Sluchátka PI7 můžete od zařízení rychle odpojit pomocí jejich vložení zpět do pouzdra. Připojení můžete také podrobněji spravovat pomocí aplikace Bowers & Wilkins Headphones v sekci připojení.

### 6.3 Funkce aplikace

Aplikace Bowers & Wilkins Headphones poskytuje možnosti rozšířeného nastavení a úprav funkcí jako Adaptivní potlačení šumu, Ambient Pass-Through či funkce senzoru nošení. Kromě nastavování hlasových výzev, řízení úrovně propouštění zvuku z okolí a spravování připojení vám aplikace také umožňuje případnou aktualizaci firmware. Tato aplikace je k dispozici ke stažení zdarma pro iOS a Android zařízení.

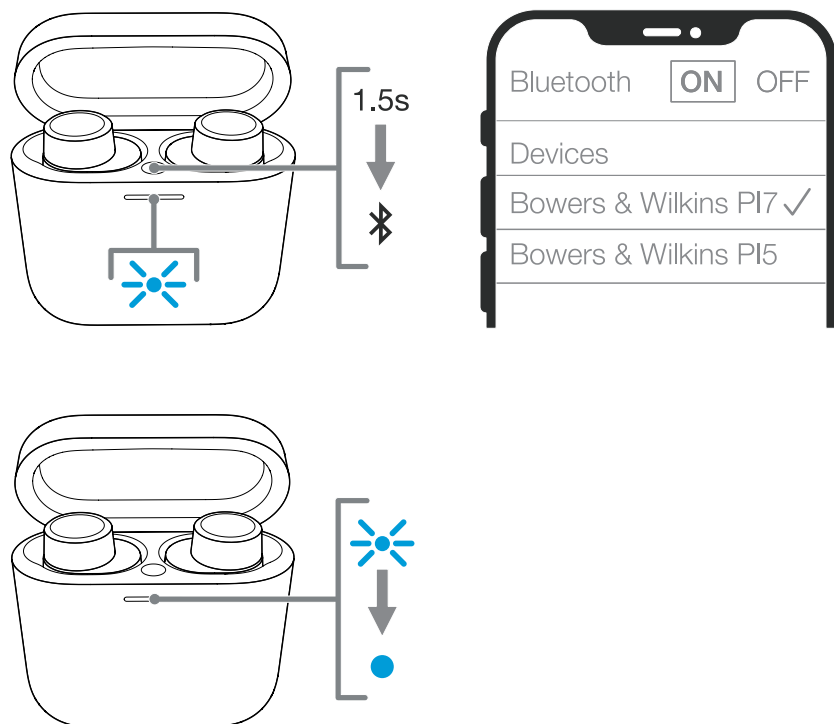
Přidání sluchátek:

1. Stáhněte a nainstalujte si do svého mobilního zařízení aplikaci Bowers & Wilkins Headphones app.
2. Spustte aplikaci, přečtete pokyny týkající se oznámení aplikace i oprávnění a postupujte podle pokynů.
3. Po dosažení hlavní obrazovky jednoduše klepněte na + postupujte a podle pokynů v aplikaci.

### 6.4 Aktualizace softwaru sluchátek

Bowers & Wilkins příležitostně vydává aktualizace softwaru, které vylepšují a optimalizují reprodukci vašich sluchátek, upravují jejich funkce či přidávají funkce nové.

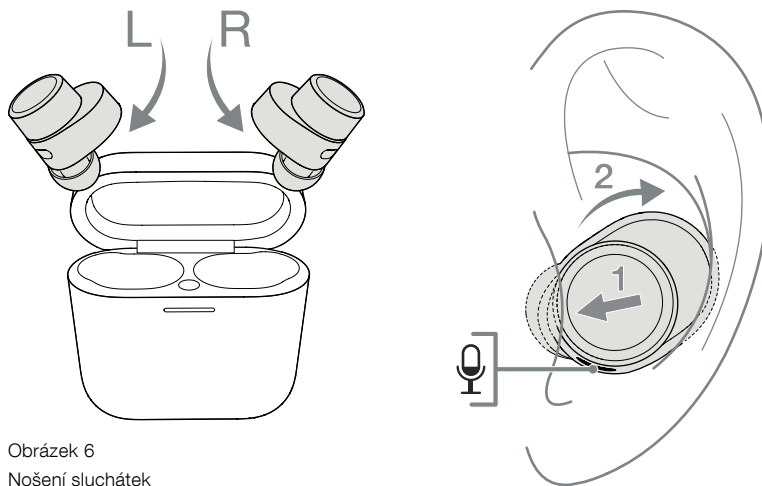
Aplikace Bowers & Wilkins vás na dostupnou aktualizaci může upozornit – stačí kliknout na ikonu „Notification“ a následovat instrukce.



Obrázek 5  
Párování Bluetooth – další zařízení

## 7. Nošení sluchátek

Správné umístění sluchátek v uších (viz. Obrázek 6) vám zaručí co nejlepší možný zážitek z poslechu. Stejně jako u mnoha sluchátek do uší, používají PI7 pro dokonalou funkci utěsnění ušního zvukovodu. Jsou tedy dodávány se třemi velikostmi silikonových náušníků (malé, střední a velké). Nalezení správné velikosti pro vaše ucho je rozhodující pro docílení dobrého utěsnění a zajištění správné funkce adaptivního potlačení hluku.



Obrázek 6  
Nošení sluchátek

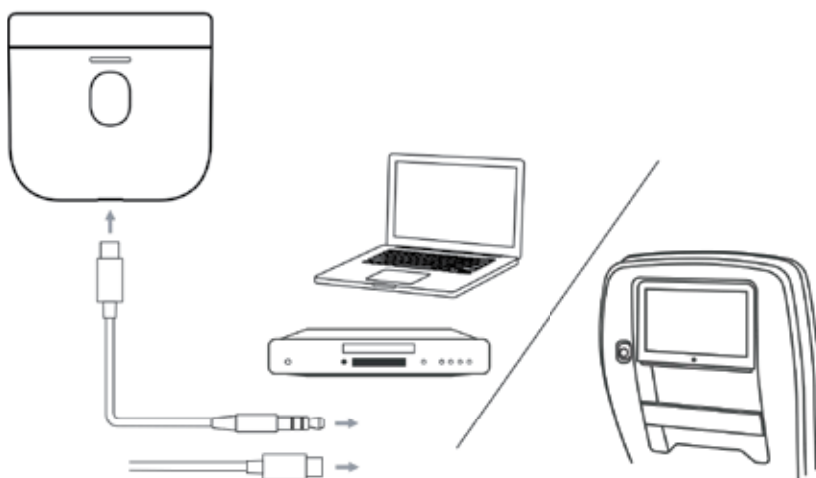
1. Identifikujte pravé a levé sluchátko pomocí symbolů L (levé) a R (pravé) umístěných na vnitřní straně každého sluchátka.
2. Vložte sluchátko do ucha a otočte jeho tělem v boltci mírně dozadu, aby vám část sluchátka opatřená silikonovým náušníkem pohodlně zapadla do zvukovodu.
3. Máte-li pocit, že vám sluchátko ve zvukovodu sedí příliš volně, nebo vás naopak tlačí, zkuste použít jinou velikost náušníku.

*Poznámka: Chcete-li optimalizovat kvalitu hovoru, ujistěte se, že mikrofon umístěný pod sluchátkem je směrem ven, viz obrázek 6.*

## 8. Streamování médií

### 8.1 Připojení vašeho pouzdra ke zdroji médií pomocí dodávaného kabelu USB-C na 3,5 mm nebo kabelu USB-C na USB-C, viz Obrázek 7.

1. Připojte dodaný kabel k pouzdru a zdrojovému zařízení.
2. Vaše PI7 se automaticky zapnou



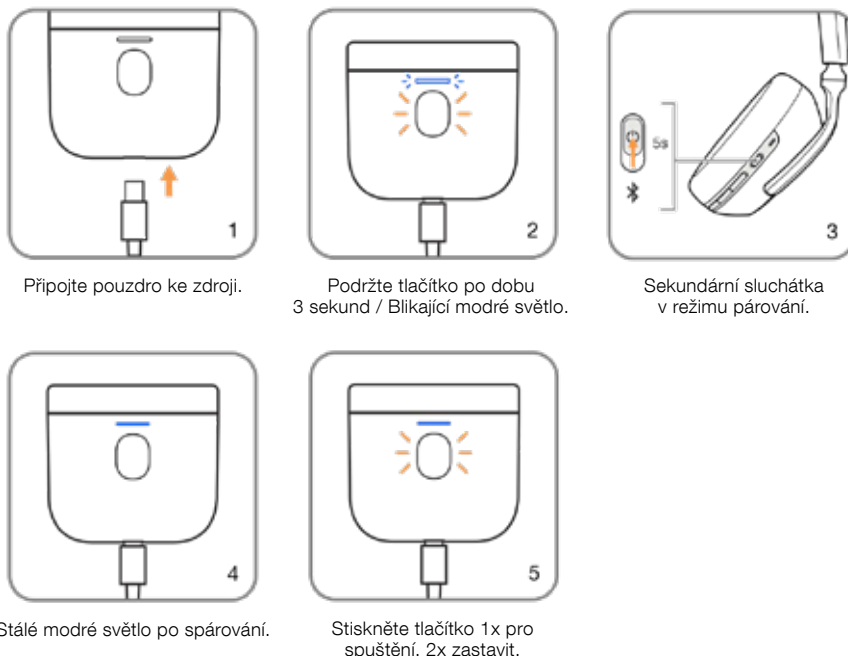
Obrázek 7  
Streamování médií

*Poznámka: Uživatelé Mac, by před prvním streamováním měli jít do menu nastavení zvuku a u nastavení výstupu vybrat „Bowers & Wilkins PI7“.*

### 8.2 Párování sekundárních sluchátek (POUZE Bowers & Wilkins) k pouzdru pro streamování médií, viz obrázek 8.

Pouzdro od vašich PI7 lze pro streamování médií spárovat také s jinými Bowers & Wilkins sluchátky.

1. Připojte dodaný kabel k pouzdru a zdrojovému zařízení.
2. Stiskněte a podržte vnější tlačítko na pouzdru po dobu 3 sekund, dokud kontrolka LED nebude blikat modře.
3. Přepněte sluchátka do režimu párování.
4. LED dioda pouzdra se změní na trvale modré světlo k označení, že připojení je dokončeno.
5. Když je párování hotovo, můžete vnější tlačítko pouzdra používat pro ovládání:
  - 1x stisknout pro SPUŠTĚNÍ streamování
  - 2x stisknout pro ZASTAVENÍ streamování



Obrázek 8  
Streamování do sekundárních sluchátek

*Poznámka: Při používání sekundárních sluchátek musí být obě původní sluchátka PI7 vložena v pouzdru. Pouzdro má paměť pouze pro jedna spárovaná sekundární sluchátka. Spárováním dalších sekundárních sluchátek se párování předchozích sekundárních sluchátek vymaže.*

## 9. Reset / Odstraňování problémů

### 9.1 Obnovení továrního nastavení

Můžete vymazat historii spárovaných zařízení a obnovit všechna nastavení na výchozí hodnoty.

Chcete-li sluchátka resetovat do továrního nastavení, otevřete nabíjecí pouzdro se sluchátky umístěnými uvnitř. Stiskněte a podržte tlačítko na vnitřní straně pouzdra po dobu 5 sekund a uvolněte. Indikátor na pouzdra se rozsvítí červeně, což znamená reset.

*POZNÁMKA: V případě, že sluchátka nefungují správně, zkuste prosím problém vyřešit obnovením továrního nastavení.*

### 9.2 Tvrdý reset

Chcete-li sluchátka resetovat úplně, otevřete pouzdro se sluchátky umístěnými uvnitř. Stiskněte a podržte tlačítko uvnitř pouzdra po dobu 15 sekund, dokud LED kontrolka nezhasne a nerozsvítí se zeleně, což značí dokončení procesu tvrdého resetu.

*POZNÁMKA: V případě vážného selhání systému (svítí červená LED světlo), proveďte tvrdý reset.*

## 10. Péče o sluchátka

Sluchátka lze čistit jemným vlhkým hadříkem a opatrně otírat, dokud nebudou čistá. K čištění nikdy nepoužívejte čisticí prostředky na bázi alkoholu, chemické čisticí prostředky či prostředky obsahující brusné částice – mohlo by dojít k poškození sluchátek.

## 11. Servis / podpora

Pokud potřebujete pomoc s řešením konkrétního problému, nebo prostě hledáte odpověď na nějakou otázku týkající se vašich sluchátek, navštivte prosím nejprve sekci podpory na stránkách Bowers & Wilkins: [www.bowerswilkins.com](http://www.bowerswilkins.com).

## Specifikace

Technické přednosti	True Wireless technologie Bluetooth 5.0 s AptX Adaptive technologií Auto ANC Audio streamování z dobíjecího pouzdra Bezdrátové a USB dobíjení Podpora rychlonabíjení
Bluetooth kodeky	AptX – Adaptive AptX – HD AptX – Low Latency AptX – Classic AAC SBC
Bluetooth Profily	A2DP v1.3.1 AVRCP v1.6.1 HFP v1.7.1 HSP v1.2 BLE GATT (Generic Attribute Profile)
Frekvenční pásma	Tx mode: 2402MHz až 2480MHz, ISM Band Rx mode: 2402MHz až 2480MHz, ISM Band
RF výstupní výkon	< 0r =10.0 dBm
Měníče	9.2mm Dynamic Drive s technologií Balanced Armature
Frekvenční audio pásmo	10Hz až 20kHz
Zkreslení (THD)	<0.3% (1kHz/10mW)
Výdrž baterie	Až 4 hodiny Bluetooth provozu
Nabíjení	15 minut dobíjení = 2 h Bluetooth provozu
Vstupy	Bluetooth
Hmotnost	7g sluchátka, 61g nabíjecí pouzdro

## Üdvözöljük a Bowers & Wilkins-nél és a PI7-nél

Köszönjük, hogy a Bowers & Wilkins-t választotta. Amikor John Bowels először megalapította a cégünket, abban a hitben tette, hogy a fantáziadús tervezés, az innovatív mérnöki munka és a fejlett technológia a kulcs az otthoni audió környezet felnyitásához.

A PI7 egy nagy teljesítményű fülhallgató, amit a legmagasabb minőségű személyes mobil audió élmény elérésére terveztek, együtt a vezeték nélküli működtetés kényelmével és a zajszűrés nyugalmával. Ez a kézikönyv mindent elmond, amire szüksége van ahhoz, hogy a legtöbbet hozza ki a PI7 fejhallgatójából.

A PI7-je képes vezeték nélkül streamelt zene lejátszására mobiltelefonról, tabletről, vagy számítógépről, Bluetoothon keresztül.

A PI7 vezeték nélküli telefonként is használható. A PI7 Real World Listening szolgáltatásai tartalmazzák a legfrissebb újításainkat, az Adaptív zajcsökkentést, a Környezet áteresztést, és a fejlett Használat érzékelőt. A legújabb generációs zajszűrő szolgáltatásunk alapvetően az intelligens környezet érzékelő képességekből lett tervezve, automatikusan kiválasztva a környezetnek legjobban megfelelő zajszűrést, azzal az egyetlen céllal, hogy kompromisszum nélküli hallgatási élményt nyújtson. Az Ambient Pass-Through (Környezet áteresztés) lehetővé teszi külső hangok, mint például beszélgetés, vagy biztonsági felhívások, tiszta hallhatóságát, anélkül, hogy a fejhallgatót le kellene venni. A Wear Sensing (Használat érzékelő) szolgáltatás lehetővé teszi, hogy a PI7 természetesen reagáljon, szakítsa meg, majd folytassa a zene lejátszását, egyszerűen a fülhallgató fel, vagy levételével. Ezek a szolgáltatások engedélyezhetők, és testre szabhatók a Bowers & Wilkins Headphone App-pal, ami ingyenesen rendelkezésre áll iOS és Android eszközökre.

A PI7 tartalmaz egy tölthető elem tartót. Amikor teljesen fel van töltve, a Bluetooth fokától, az Adaptív zajcsökkentő és a Környezet áteresztő használatától függően, az elem 20 óra folyamatos vezeték nélküli streamelést, zajcsökkentést nyújt, átlagos lejátszási hangerő szinten.

## 1. A PI7 doboz tartalma

PI7 fejhallgatók eartypekkel (M)  
Töltő táska  
USB-C töltő és USB-C 3,5mm audió kábel  
Ear tipek (S/L)  
Leírások

## 2. Ismerje meg a PI7-jét.

### 2.1 A fejhallgatók Be és Ki kapcsolása

#### BE/KI kapcsolás

A PI7-nek nincs áram kapcsolója, automatikus kapcsolás van helyette. A PI7 fülhallgatók automatikusan töltődnek, amikor a töltő táskába helyezi, és használatra készek, amikor kivesszi őket a tokból.

Amikor a fülhallgatókat kivesszük a töltő táskából és 5 percig nem használjuk, energiatakarékos üzemmódba lépnek. Az energiatakarékos módból történő kilépéshez, kezdje el ismét használni a fülhallgatókat, a párosított eszköz csatlakoztatásával, audió streameléssel, vagy a fülhallgatók fülbe dugásával.

### 2.2 Fejhallgató vezérlők

Mindegyik fülhallgatónak van egy több-funkciós gombja a kapszula tetején. Nézze meg az 1. ábrát. A több-funkciós gomb vezérlések a következők:

#### Média lejátszás:

Funkció	Teendő
Lejátszás vagy megszakítás	Nyomja meg egyszer a Több-funkciós gombot.
Játssza le a következő sávot	Nyomja meg gyorsan egymásután kétszer a Több-funkciós gombot.
Lejártssza le az előző a sávot	Nyomja meg gyorsan egymásután kétszer a Több-funkciós gombot.

#### Telefonhívás funkció:

Funkció	Teendő
Hívásfogadás	Nyomja meg a Több-funkciós gombot egyszer a bejövő híváskor.
Hívás befejezése	Bejövő híváskor nyomja meg kétszer a Több-funkciós gombot gyorsan egymásután.
Bejövő hívás elutasítása	Nyomja meg gyorsan egymásután kétszer a Több-funkciós gombot a bejövő hívással.

## 3. Intelligens tulajdonságok

### 3.1 Alkalmazkodó zajszűrés

A zajszűrés a fejlett technológiák sorozata, ami elősegíti a nemkívánatos zajok eltávolítását a környező térből.

A PI7 a legújabb alkalmazkodó zajszűrő fejlesztésünket nyújtja, ez magában foglalja a zajszűrőhöz adaptált intelligens érzékelést, és a környező térhez legjobban megfelelő hangolást. Amint a környezet megváltozik, a zajszűrés automatikusan alkalmazkodik az új környezethez.

A zajszűrő szolgáltatás a bal (L) fülhallgató Több-funkciós gombjának 1 másodperces megnyomásával aktiválódik, további 1 másodperc nyomás után körbe megy a módok között: Be, Auto, vagy Ki. Nézze meg a 2.ábrán a gomb elhelyezkedését.

Mód	Applikáció
On	Eltávolítja a nemkívánatos zajt a környező térből.
Auto	Intelligensen alkalmazza az aktuális környezethez leginkább megfelelő zajszűrést.
Off	Kikapcsolja a zajszűrés szolgáltatást.

### 3.2 Hang asszisztens

A hang asszisztens a jobb fülhallgató (R) több-funkciós gombjának 1 másodperces megnyomásával aktiválódik. Nézze meg a 2.ábrán a gomb elhelyezkedését.

### 3.3 Környezet áteresztés

A PI7 környezet áteresztő szolgáltatása lehetővé teszi a környező térből egyes külső zajok, mint például biztonsági bejelentések vagy beszélgetések hallgatását anélkül, hogy letenné a fejhallgatót.

A környezet áteresztő szolgáltatás engedélyezhető, vagy tiltható a Bowers & Wilkins fejhallgató applikáción keresztül. A környezet áteresztés szintje, High/Low/Off (Magas/Mély/Ki)kívánása szerint változtatható a applikáción keresztül.

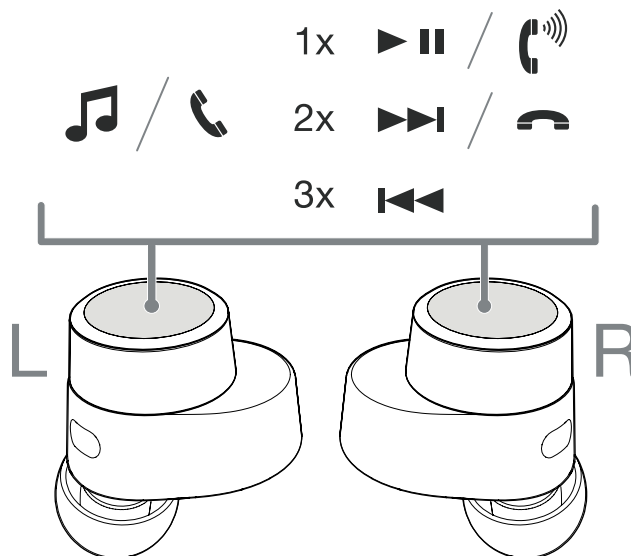
### 3.4 Használat érzékelő

A PI7 a legfejlettebb használat érzékelőket tartalmazza mindegyik fülhallgatóban. Az érzékelők lehetővé teszik az intelligens elem tartósságot, az energiatakarékos módba lépéssel, ha leveszik a fülről a hallgatókat. Amikor ismét lemerül, a PI7 automatikusan felébred és csatlakozik a legutóbb csatlakoztatott Bluetooth eszközzel.

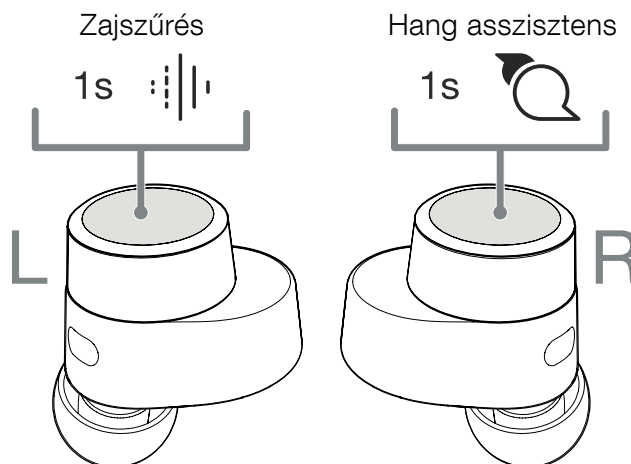
Az érzékelők szintén megszakítják az audiót, amikor a fülhallgatókat leveszik a fülről. A lejátszás automatikusan folytatódik, amikor a fülhallgatót ismét a fülbe helyezik. Az auto folytatás tovább lett optimalizálva, így csak akkor áll készen, amikor Ön.

A használat érzékelőt ki lehet kapcsolni a Bowers & Wilkins fejhallgató applikációból.

*Megjegyzés: Legyen különösen óvatos, amikor a fülhallgatókat hordja, mert haj, vagy divatszerek kerülhetnek a fülek közé és a fülhallgatók interferálhatnak a szomszéd érzékeléssel.*



1. ábra  
Több-funkciós gomb



2. ábra  
Fejhallgató vezérlők

#### 4. A fülhallgatók raktározása

Ha nem használja, a PI7 fülhallgatókat tartsa a töltő táskában, amiben újratöltődnek és készek lesznek a későbbi használatra.

#### 5. Elem töltés

A PI7-et a táskával szállítják, és a fülhallgató elemek részben fel vannak töltve, és azonnal használhatóak. A legjobb használat érdekében javasoljuk, hogy az első használat előtt teljesen töltsse fel a fülhallgatókat. Kérjük hagyjon 3 órát a teljes feltöltésre.

A PI7 fülhallgatók töltése

1. Helyezze a PI7 fülhallgatókat a töltő táskába.
2. Zárja be a töltő táska fedelét.

A PI7 töltő táska töltése:

1. A mellékelt USB töltő kábel használatával csatlakoztassa az USB csatlakozót egy USB fali töltőhöz, vagy egy bekapcsolt számítógép USB portjához.
2. Azután csatlakoztassa az USB-C végét a töltő táska USB-C csatlakozójához.

*Megjegyzés: A töltés alatt a töltő táska jelzője zölden fog villogni. Amikor teljesen feltöltődik, a jelző világítva marad. A töltő táskát lehet tölteni, ha a fülhallgatók benne vannak a táskában, vagy nincsenek benne.*

A PI7 töltő táska töltése vezeték nélküli töltő állomással:

1. Helyezze a töltő táskát a vezeték nélküli töltő állomásra.
2. Győződjön meg arról, hogy a töltő táska hátulja a töltő állomáson van (a táska jelzővel felfelé).

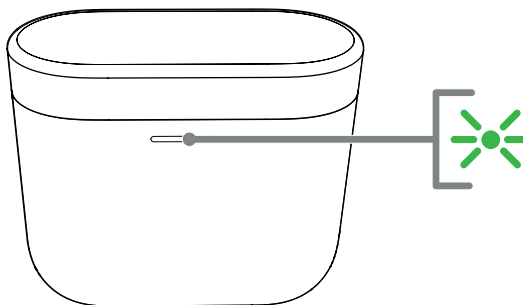
*Megjegyzés: A töltés alatt a töltő táska jelzője zölden fog villogni. Amikor teljesen feltöltődik, a jelző világítva marad.*

#### 5.1 Állapot jelző

Az állapot jelző a táska elején található. Amikor a fülhallgatókat beteszik a táskába, a LED információt ad a fülhallgatókról. Amikor a fülhallgatókat beteszik a táskába, a LED információt ad a fülhallgatókról. A LED jelzésekről nézze meg a 3. ábrát.

#### 5.2 Elem töltöttség ellenőrzése

Ellenőrizni tudja a táska elemének töltöttségi szintjét a táska külső részén található gomb egyszerű megnyomásával. Amikor mindegyik fülhallgató a táskában van, nyomja meg ugyanazt a gombot kétszer a fülhallgató elem szintjének ellenőrzéséhez. Nézze meg a 4. ábrán a gomb elhelyezkedését.



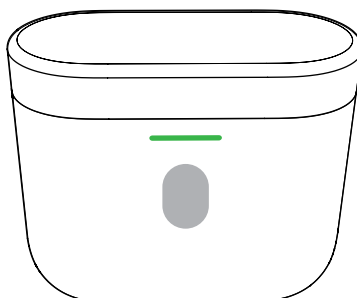
A töltő táskában lévő fülhallgatókkal

Világítás		Működési állapot
Zöld (Táska fedele nyitva)		Fülhallgató elem töltés >40%
Sárga (bekapcsolás után)		Fülhallgató elem töltés >20%, <40%
Piros (bekapcsolás után)		Fülhallgató elem töltés <20%
Piros (villogó)		Fülhallgató gyári visszaállítása
Piros (folyamatos)		Hardver visszaállítás/rendszer összeomlás
Kék (villogó)		A párosítás mód engedélyezve
Kék (3 másodpercig folyamatos)		A párosítás sikeres

A töltő táskából kivett fülhallgatókkal

Illumination		Operational state
Zöld (Táska fedele nyitva)		Elem töltés >40%
Sárga (bekapcsolás után)		Elem töltés >20%, <40%
Piros (bekapcsolás után)		Elem töltés <20%
Piros (villogó)		Gyári visszaállítás
Piros (folyamatos)		Hardver visszaállítás/rendszer összeomlás

3. ábra  
Állapot jelző világítások



4. ábra  
Táska és fülhallgató elem jelző



## 6. Bluetooth csatlakoztathatóság

### 6.1 Párosítás

A PI7-et arra tervezték, hogy vezeték nélkül streameljen zenét, olyan Bluetooth eszközökről, mint az okostelefonok, tabletek, vagy számítógépek. Ehhez a fejhallgatókat és az eszközt először párosítani kell.

Amikor Ön megkapja a PI7 fülhallgatóit, azok készen állnak, bármilyen Bluetooth eszközhöz való párosításra.

### 6.1.1 iOS rendszer / Android rendszer Google FastPair nélkül.

1. Töltse le a Bowers & Wilkins Headphone App.-ot
2. Nyissa ki a táská fedelét, a táská jelző kéken fog villogni.
3. Menjen az eszközben a Bluetooth párosítás menübe, és válassza ki a "Bowers & Wilkins PI7"-t az eszköz listából.
4. A táská jelző folyamatos kékre vált, jelezve a párosítás sikerességét.
5. Nyissa meg a "Bowers & Wilkins applikációt és adja hozzá a fejhallgatókat.

*Megjegyzés: A fülhallgatók automatikusan kilépnek a Bluetooth párosítás módból, ha 5 percen belül nincs eszköz párosítva. Ha a párosítás megszakad, a jelző gyorsan fog villogni kéken, ezután próbálja meg újra a párosítást.*

Következő eszköz párosítása. Nézze meg a 5. ábrát:

1. Nyissa ki a fülhallgatókat tartalmazó táská fedelét.
2. Tartsa nyomva a a táskában lévő gombot 1 – 5 másodpercig. A táská jelző kéken fog villogni.
3. Menjen az új eszközben a Bluetooth párosítás menübe, és válassza ki a "Bowers & Wilkins PI7"-t az eszköz listából.
4. A táská jelző folyamatos kékre vált, hogy jelezze a párosítás sikerességét.

A PI7 legfeljebb 3 Bluetooth eszközt tud megjegyezni. Több eszköz párosításához ismételje meg a fenti lépéseket.

*Megjegyzés: A fülhallgatók automatikusan kilépnek a Bluetooth párosítás módból, ha 5 percen belül nincs eszköz párosítva. Ha a párosítás megszakad, a jelző gyorsan fog villogni kéken, ezután próbálja meg újra a párosítást.*

### 6.1.2 Google FastPair (GFP szolgáltatással ellátott Android rendszerrel)

Fejhallgatók hozzáadása:

1. Tegye a táskát az Android eszköztől nem távolabb, mint 10 cm-re, és nyissa ki a PI7 fedelét.
2. Egy GFP (Google FastPair) figyelmeztető ablak fog megjelenni, "Bowers & Wilkins PI7 detected" üzenettel, és kéri a párosítási folyamat elindítását.
3. Nyomja meg a "Notification" gombot a párosítás engedélyezéséhez. A sikeres csatlakozás látható lesz a GFP ablakban.
4. Párosítás után:
  - o A GFP ablak átirányítja a Google Play áruházba, hogy töltsse le és telepítse a Bowers & Wilkins App.-ot.
  - o A L/R fülhallgató és a táská elem töltöttség látható a GFP ablakban.

### 6.2 Leválasztás egy eszköztől

Gyorsan le tudja választani a PI7-et egy eszköztől ha visszateszi a fülhallgatókat a táskába. Más módon, menedzselni tudja a csatlakozást a Bowers & Wilkins Headphones app, Connections menüpontjában.

### 6.3 Az App tulajdonságai

A Bowers & Wilkins fejhallgatók széleskörű beállítási lehetőséget nyújtanak az Adaptív zajsztűrés, Környezet átérésztés, és Használat érzékelés szolgáltatásokkal. Az applikáció további beállítási lehetőségeket kínál, mint a hang utasítás, Környezet átérésztés szintje, csatlakozás irányítás, és fejhallgató szoftver frissítés. Az applikáció ingyenesen letölthető iOS és Android eszközökre.

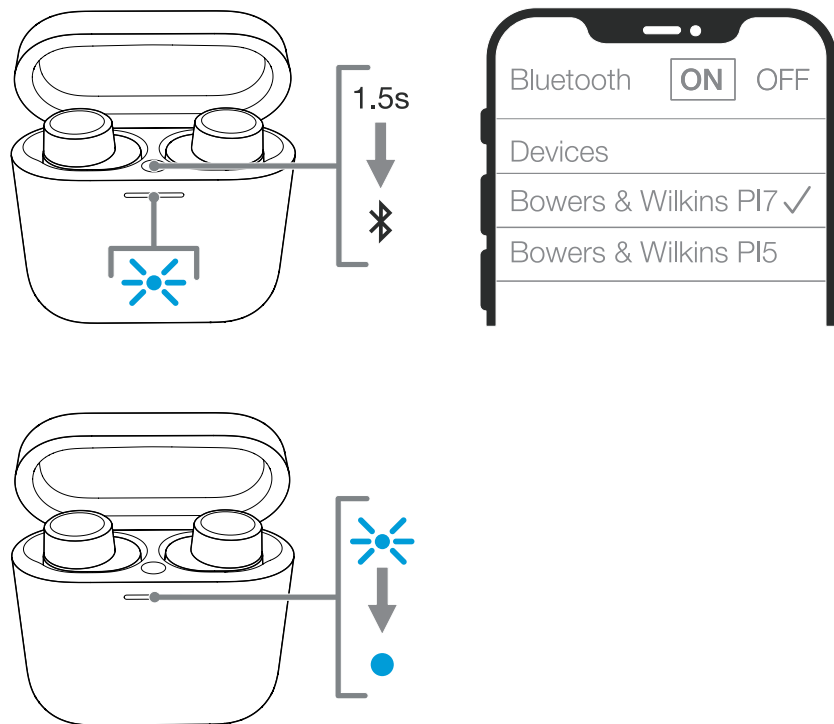
Fejhallgatók hozzáadása:

1. Mobil telefonjával töltsse le és telepítse a Bowers & Wilkins Headphones app.-ot.
2. Indítsa el az applikációt, olvassa és kövesse a figyelmeztetésekre, engedélyekre vonatkozó instrukciókat.
3. A fő képernyő elérése után csak bökjön a +-ra és kövesse az utasításokat.

### 6.4 Fejhallgató szoftver frissítés

A Bowers & Wilkins alkalmanként rendelkezésre bocsát szofrver frissítéseket, melyek finomítják és optimalizálják a fejhallgató teljesítményét, vagy új szolgáltatásokat adnak.

A Bowers & Wilkins Headphones app értesíteni fogja Önt, ha szoftver frissítés rendelkezésre áll. Koppintson az értesítésre és kövesse az utasításokat.

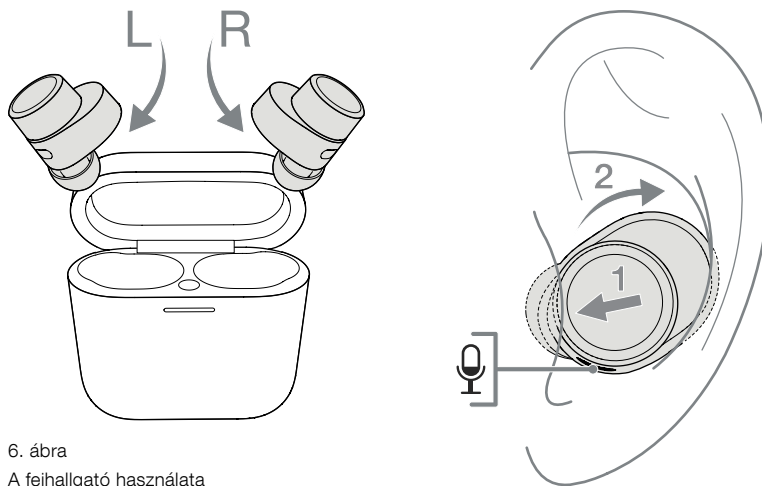


5. ábra  
Bluetooth párosítás – következő eszköz

## 7. A fejhallgató használata

A fejhallgatók helyes használata segíteni fog a legjobb élmény elérésében. Nézze meg az 6. ábrát. Mint sok fülbe helyezhető fülhallgatót, a PI7 fülhallgatókat úgy tervezték, hogy tömítse a fül csatornát, az optimális teljesítmény érdekében. A fül szivacsok három méretben jönnek ki. (Kicsi, közepes és nagy) A megfelelő méret megtalálása kritikus a jó tömítés eléréséhez és a PI7 biztosításához, és a fejlett zajszűrés optimális teljesítéséhez.

1. Azonosítsa a bal és jobb fülhallgatókat a belső oldalukon található L és R jezek alapján.
2. Helyezze a fülhallgatókat a fülébe és csavarja őket finoman visszafelé, hogy a szivacsok kényelmesen helyezkedjenek el a fülcsatorna nyílásában.
3. Ha a fülhallgató szivacsot túl nagyknak, vagy kicsinek érzi, próbáljon meg egy másik méretűt, a legjobb illeszkedésért.



6. ábra  
A fejhallgató használata

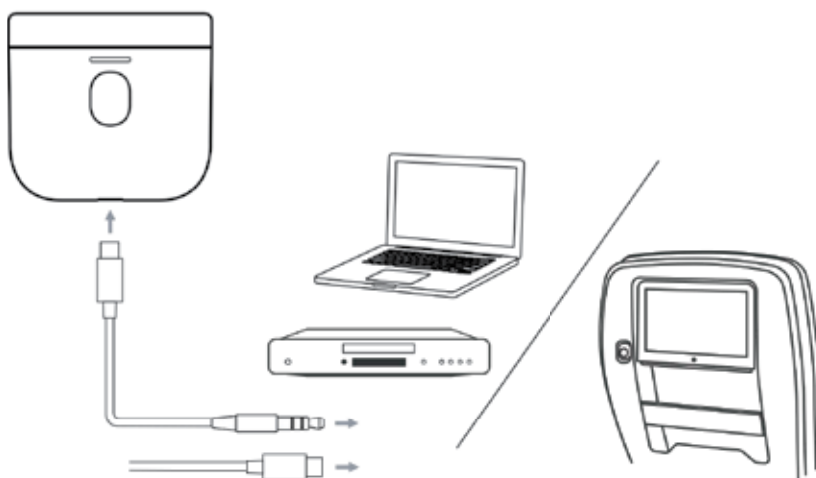
*Megjegyzés: A hívás minőségének optimalizálása érdekében, győződjön meg, hogy a fülhallgató alján lévő mikrofon kifelé mutat. Nézze meg az 6. ábrát.*

## 8. Média streamelés

### 8.1 Média streameléshez csatlakoztassa a mellékelt USB type-C--3.5mm vagy USB type-C--C kábelt a média forráshoz. Nézze a 7. ábrát.

1. Csatlakoztassa a mellékelt kábelt a táskákhoz és a forrás eszközhöz.
2. A PI7 automatikusan elkezd streamelni.

*Megjegyzés: Mac használók az első streameléskor menjenek a kimenet szabályzóra a Sound Settings menüben, és válasszák ki a "Bowers & Wilkins PI7"-et.*



7. ábra  
Média streamelés

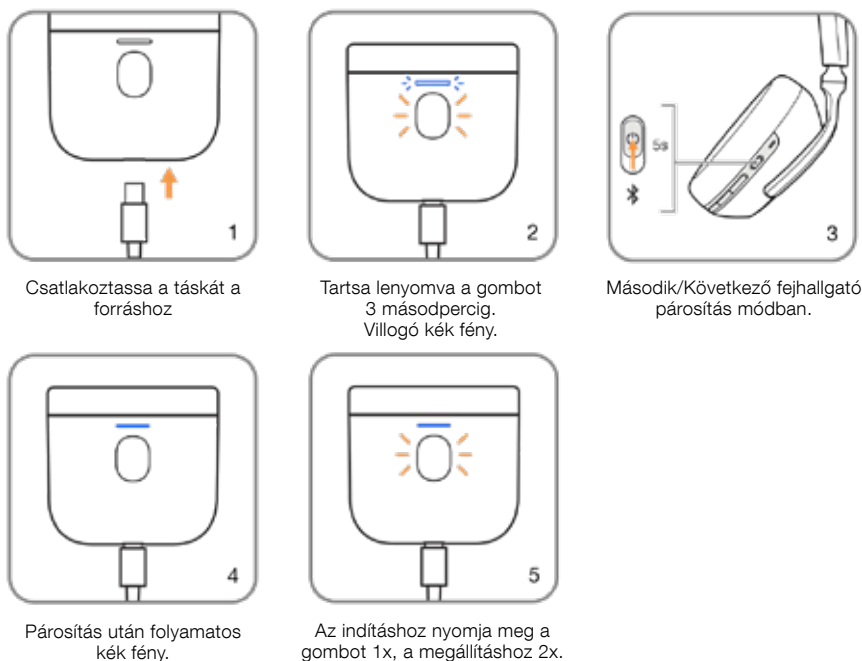
### 8.2 Média streameléshez második/következő fejhallgató(CSAK Bowers & Wilkins) párosítása a táskához. Lásd: 8. ábra.

A táska másik Bowers & Wilkins fejhallgatóval is párosítható a média streaminghez.

1. Csatlakoztassa a mellékelt kábelt a táskákhoz és a forrás eszközhöz.
2. Tartsa nyomva a külső gombot 3 másodpercig, míg a LED kékén villog.
3. Kapcsolja a fejhallgatót párosítás módba.
4. A táska LED jelző folyamatosan kékre vált, jelezve a csatlakozás elkészültét.
5. Amint párosítva van, nyomja meg a táska külső gombját:

- 1x a stream elindításához
- 2x a stream megállításához

*Megjegyzés: Mindkét fülhallgatónak a táskában kell lennie mialatt a második fejhallgatót használja. Amikor a második fejhallgató párosítva van, a párosítás történeti törölve lesz.*



8. ábra  
Második/Következő fejhallgató streamelés

## 9. Visszaállítás/ Hibaelhárítás

### 9.1 Gyári beállítások visszaállítása

Törölni tudja a párosított eszköz történetet, és vissza tudja állítani az összes gyári értékekre.

A fülhallgatók a gyári értékekre visszaállításához, nyissa ki a fülhallgatókat tartalmazó töltő táskát. Tartsa nyomva 5 másodpercig a táskában lévő gombot, majd engedje el. A táskán lévő jelző pirosra vált, hogy jelezze a visszaállítást.

*MEGJEGYZÉS: A fülhallgatók helytelen működése esetén, hajtva végre a gyári visszaállítást a probléma megoldására.*

### 9.2 Gyári beállítás teljes visszaállítása

A fülhallgatók visszaállításához a gyári értékekre, nyissa ki a fülhallgatókat tartalmazó töltő táskát. Tartsa nyomva a táskában lévő gombot 15 másodpercig, amíg a LED jelző kikapcsol, és zöld fénnel jelzi a gyári visszaállítási folyamat befejezését.

*MEGJEGYZÉS: Komoly rendszer összeomlásakor (folyamatos piros LED fény) kérjük, hogy csináljon gyári visszaállítást.*

## 10. A fülhallgatók ápolása

A fülhallgatók nedves ruhával történő finom törölgetéssel tisztíthatók. Ne használjon oldószereket, alkoholt, vagy kémiai tisztító/súroló szereket, mert azok megsérthetik a fülhallgatókat.

## 11. Szerviz/Támogatás

Ha segítségre szorul egy speciális hibaelhárításban, vagy csak egy kérdésre keres választ, konzultáljon a Bowers & Wilkins weboldal „Headphone support” részlegével: [www.bowerswilkins.com](http://www.bowerswilkins.com).

## Műszaki adatok

Technikai jellemzők	Igazi vezeték nélküli technológia Bluetooth 5.0, AptX Adaptive technológiával Auto ANC Audio streamelés a töltő táskából Vezeték nélküli és USB-C töltés Gyors töltés támogatás
Bluetooth kodekek	AptX – Adaptive AptX – HD AptX – Kis késésű AptX – Classic AAC SBC
Bluetooth profilok	A2DP v1.3.1 AVRCP v1.6.1 HFP v1.7.1 HSP v1.2 BLE GATT (Generic Attribute Profile)
Frekvencia sáv	Tx mód: 2402MHz -480MHz, ISM sáv Rx mód: 2402MHz -2480MHz, ISM sáv
RF kimenő teljesítmény	< 0r =10.0 dBm
Meghajtó egységek	9,2 mm dinamikus meghajtó szimmetrikus armatúrával
Frekvencia tartomány	10 Hz – 20 kHz
Torzítás (THD)	<0.3% (1kHz/10mW)
Elem élettartam	Maximum 4 óra Bluetooth
Töltés	15 perces töltés = 2 óra Bluetooth
Bemenetek	Bluetooth
Súly	Fülhallgatók 7g, Töltőtáska 61g

## Przedstawiamy Państwu Bowers & Wilkins i Nasze Słuchawki P17

Dziękujemy za wybór Bowers & Wilkins. Kiedy John Bowers zakładał naszą firmę, czynił to w przekonaniu, że twórcze wzornictwo, innowacyjna inżynieria i zaawansowana technologia pozwalają uwolnić radość płynącą z dźwięku w domu.

P17 są wysokiej klasy słuchawkami dousznymi, które zapewniają najwyższą jakość odsłuchu, połączoną z wygodą bezprzewodowej eksploatacji oraz spokój dzięki wbudowanej redukcji szumów. Niniejsza instrukcja zawiera wszystko co należy wiedzieć, aby wydobyć pełnię możliwości ze słuchawek P17.

Słuchawki P17 mogą odtwarzać muzykę bezprzewodowo z telefonu komórkowego, tabletu lub komputera przez Bluetooth. P17 mogą być używane do prowadzenia bezprzewodowych rozmów telefonicznych.

Funkcje Real World Listening w P17 obejmują nasze najnowsze innowacje w adaptacyjnej redukcji hałasu (Adaptive Noise Cancellation), przepustowości dźwięków otoczenia (Ambient Pass-Through) i ulepszonej technologii wykrywającej użycie słuchawek (Wear Sensing). Nasza najnowszej generacji funkcja redukcji hałasu (ANC) została zaprojektowana od podstaw z inteligentnymi funkcjami wykrywania otoczenia, automatycznie wybierając odpowiedni rodzaj redukcji hałasu, najlepiej dopasowany do otaczającego środowiska. Jego jedynym celem jest zapewnienie najczystszej odsłuchu audio. Funkcjonalność Ambient Pass-Through umożliwia wyraźne słuchanie dźwięków zewnętrznych, takich jak rozmowy lub komunikaty bezpieczeństwa, bez konieczności zdejmowania słuchawek. Technologia Wear Sensing pozwala słuchawkom P17 reagować w naturalny sposób, wstrzymując i wznowiając odtwarzanie muzyki po wyjęciu lub ponownym umieszczeniu słuchawek w uszach. Powyższe funkcjonalności mogą zostać włączone i indywidualnie dopasowane za pomocą darmowej aplikacji Bowers & Wilkins Headphone dostępnej na urządzeniach z systemem iOS i Android.

Słuchawki P17 wyposażone są w akumulator. W pełni naładowany, w zależności od intensywności używania Bluetooth, ANC i Ambient Pass-Through, może zapewnić do 20 godzin ciągłego odsłuchu bezprzewodowego z uruchomionym systemem tłumienia hałasu przy średnich poziomach głośności.

## 1. Zawartość opakowania PI7

Sluchawki PI7 z wkładkami dousznymi (M)  
Etui ładujące  
Kabel USB-C do ładowania i kabel audio USB-C do 3,5 mm  
Wkładki douszne (S/L)  
Instrukcja obsługi

## 2. Poznawanie słuchawek PI7

### 2.1 Włączanie / wyłączenie słuchawek

#### Włączanie/wyłączenie

PI7 nie posiadają regulacji mocy, zamiast tego zarządzanie energią odbywa się automatycznie. Słuchawki PI7 ładują się automatycznie po umieszczeniu ich w etui ładującym i będą gotowe do użycia po wyjęciu z etui.

Słuchawki wyjęte z etui ładującego i nieużywane przez 5 minut przechodzą w tryb oszczędzania energii. Aby wyjść z trybu oszczędzania energii, zacznij ponownie używać słuchawek podłączając sparowane urządzenie, odtwarzając dźwięk lub umieszczając słuchawki w uszach.

### 2.2 Sterowanie słuchawkami

Każda słuchawka posiada wielofunkcyjny przycisk znajdujący się na wierzchu obudowy, patrz Schemat 1. Przyciski wielofunkcyjne są sterowane następująco:

#### Odtwarzanie mediów:

Funkcja	Działanie
Start/Pauza	Naciśnij przycisk wielofunkcyjny jeden raz.
Odtwórz następny utwór	Naciśnij przycisk wielofunkcyjny dwukrotnie, raz za razem.
Odtwórz poprzedni utwór	Naciśnij przycisk wielofunkcyjny trzykrotnie, raz za razem.

#### Funkcjonalność połączeń telefonicznych:

Funkcja	Działanie
Odbierz połączenie	Gdy pojawi się połączenie, naciśnij przycisk wielofunkcyjny jeden raz.
Zakończ połączenie	W trakcie połączenia naciśnij przycisk wielofunkcyjny dwukrotnie, raz za razem.
Odrzuć połączenie przychodzące	Gdy pojawi się połączenie, naciśnij przycisk wielofunkcyjny dwukrotnie, raz za razem.

## 3. Inteligentne funkcje

### 3.1 Adaptacyjna redukcja hałasu

Redukcja hałasu to serie zaawansowanych technologii, które pomagają eliminować niepożądany hałas otoczenia.

PI7 oferuje nasze najnowsze innowacje w zakresie adaptacyjnej redukcji hałasu, w tym inteligentne wykrywanie, które dostosowuje tłumienie hałasu i strojenie w sposób najbardziej odpowiedni do otoczenia. Wraz ze zmianą otoczenia redukcja hałasu automatycznie dostosowuje się do nowych warunków.

Funkcja redukcji hałasu jest aktywowana poprzez naciśnięcie przez 1 sekundę przycisku wielofunkcyjnego znajdującego się na lewej (L) słuchawce. Kolejne 1 - sekundowe naciśnięcia przycisku powodują przejście przez tryby: włączony, auto, wyłączony. Patrz schemat 2 obrazujący położenie przycisków.

Tryb	Działanie
Włączony	Usuwa niechciany hałas pochodzący z otoczenia.
Auto	Inteligentnie, optymalnie dopasowuje poziom redukcji hałasu do warunków otoczenia.
Wyłączony	Wyłącza funkcjonalność redukcji hałasu.

### 3.2 Asystent głosowy

Asystent głosowy uruchamiany jest poprzez naciśnięcie przez 1 sekundę przycisku wielofunkcyjnego znajdującego się na prawej słuchawce (R). Patrz schemat 2 dotyczący umiejscowienia przycisku.

### 3.3 Przepuszczanie dźwięków otoczenia

Przepuszczanie dźwięków otoczenia jest funkcją PI7, która pozwala usłyszeć część dźwięków pochodzących z otoczenia, takich jak rozmowy lub komunikaty bezpieczeństwa, bez konieczności zdejmowania słuchawek.

Funkcja przepuszczania dźwięków otoczenia może zostać włączona lub wyłączona w aplikacji słuchawkowej Bowers & Wilkins. Za pomocą aplikacji może również zostać wybrany pożądany poziom przepuszczania dźwięków, Wysoki/Niski/Brak.

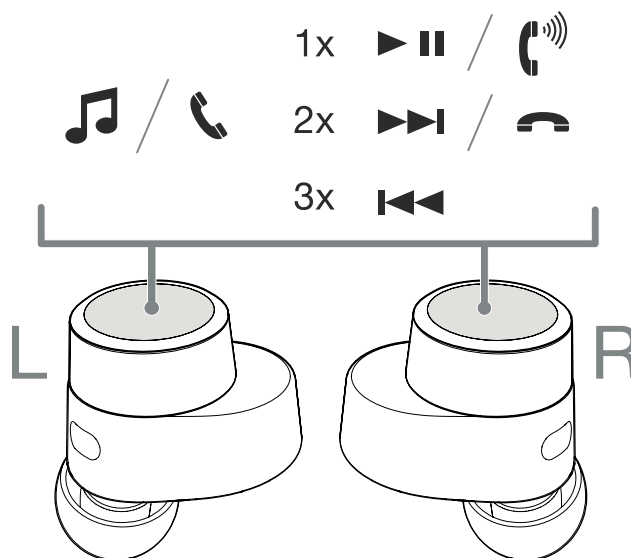
### 3.4 Czujnik używania słuchawek

PI7 wyposażone zostały w nasze najnowsze ulepszone czujniki korzystania ze słuchawek znajdujące się w obu słuchawkach. Czujniki umożliwiają inteligentne oszczędzanie baterii poprzez wprowadzenie ich w tryb oszczędzania energii po wyjęciu z uszu. Po ponownym założeniu PI7 zostaną automatycznie wybudzone i połączone z ostatnim podłączonym urządzeniem Bluetooth.

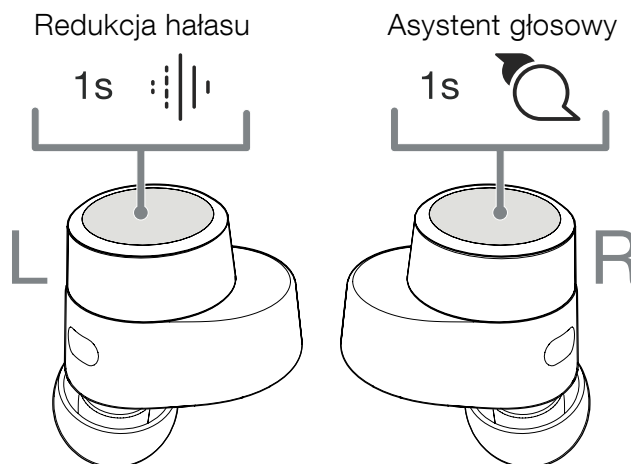
Po wyjęciu słuchawek z uszu czujniki wstrzymują odtwarzanie dźwięków. Odtwarzanie zostanie wznowione automatycznie po ponownym umieszczeniu słuchawki w uchu. Automatyczne wznawianie zostało dodatkowo zoptymalizowane, dzięki czemu jest słuchawki są gotowe tylko wtedy, gdy również ty jesteś gotowy.

Czujnik używania słuchawek może zostać dezaktywowany za pomocą aplikacji Bowers & Wilkins Headphone.

*Uwaga: Nosząc słuchawki zachowaj szczególną ostrożność, włosy lub akcesoria uwięzione między uszami a elementami dousznymi słuchawek mogą zakłócać wykrywanie bliskości.*



Schemat 1  
Przycisk multi-funkcyjny



Schemat 2  
Przyciski kontrolne słuchawek

#### 4. Przechowywanie słuchawek

Gdy nie są używane, słuchawki PI7 powinny być przechowywane wewnątrz etui ładującego, gdzie będą doładowywane w oczekiwaniu na przyszłe użytkowanie.

#### 5. Ładowanie baterii

Słuchawki PI7 dostarczane są z częściowo naładowanymi akumulatorami w słuchawkach oraz etui i mogą być używane natychmiast. Jako dobrą praktykę zalecamy pełne naładowanie słuchawek dousznych przed pierwszym użyciem. Pełne naładowanie może zająć do 3 godzin.

Aby naładować słuchawki douszne PI7:

1. Umieść słuchawki doszune PI7 w etui ładującym.
2. Zamknij wieczko etui ładującego.

Aby naładować etui ładujące słuchawek PI7:

1. Użyj dostarczonego kabla USB do ładowania. Wtyczkę USB podłącz do ładowarki ściennej USB lub zasilanego gniazda USB komputera.
2. Następnie podłącz końcówkę USB-C do gniazda USB-C etui ładującego.

*Uwaga: W trakcie ładowania wskaźnik na etui będzie migał na zielono. Po pełnym załadowaniu wskaźnik pozostanie podświetlony. Etui może być ładowane z lub bez słuchawek wewnątrz etui.*

Aby naładować obudowę PI7 za pomocą bezprzewodowej stacji ładującej:

1. Umieść etui ładujące na bezprzewodowej stacji ładującej.
2. Upewnij się, że tył etui ładującego znajduje się na stacji ładującej (ze wskaźnikiem obudowy skierowanym ku górze).

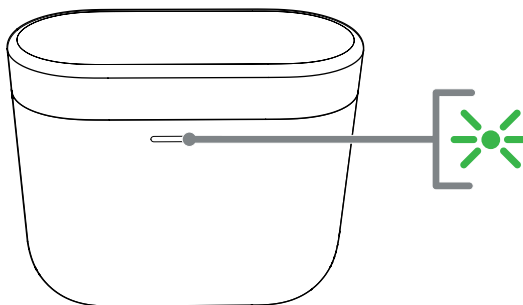
*Uwaga: W trakcie ładowania wskaźnik na etui będzie migał na zielono. Po pełnym naładowaniu wskaźnik pozostanie podświetlony.*

#### 5.1 Wskaźnik statusu

Wskaźnik statusu zlokalizowany jest z przodu etui. Kiedy słuchawki douszne znajdują się w etui wskaźnik LED informuje o statusie słuchawek dousznych. Kiedy słuchawki znajdują się poza etui wskaźnik LED informuje o statusie etui ładującego. Zapoznaj się ze schematem 3 co do statusów wskaźnika LED.

#### 5.2 Sprawdzanie poziomów baterii

Poziom naładowania akumulatora etui można sprawdzić naciskając jednokrotnie przycisk znajdujący się na etui. Kiedy obie słuchawki douszne znajdują się w etui, naciśnij ten sam przycisk dwukrotnie, aby sprawdzić poziom naładowania akumulatorów słuchawek dousznych. Zapoznaj się ze schematem 4, aby zapoznać się z lokalizacją przycisku.



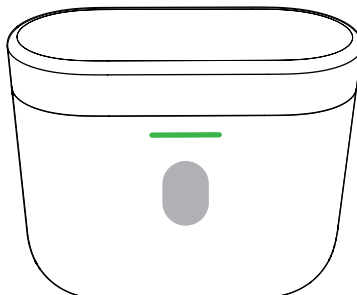
Gdy słuchawki znajdują się w etui ładującym

Podświetlenie		Stan operacyjny
Zielony (otwarte wieczko etui)		Naładowanie akumulatora słuchawki >40%
Żółty (po włączeniu)		Naładowanie akumulatora słuchawki >20%, <40%
Czerwony (po włączeniu)		Naładowanie akumulatora słuchawki <20%
Czerwony (migający)		Przywracanie ustawień fabrycznych słuchawki
Czerwony (stałe)		Reset sprzętu/awaria systemu
Niebieski (migający)		Aktywny tryb parowania
Niebieski (3 sekundy stałe)		Udane parowanie

Ze słuchawkami znajdującymi się poza etui ładującym

Podświetlenie		Stan operacyjny
Zielony (otwarte wieczko etui)		Naładowanie akumulatora etui >40%
Żółty (po włączeniu)		Naładowanie akumulatora etui >20%, <40%
Czerwony (po włączeniu)		Naładowanie akumulatora etui <20%
Czerwony (migający)		Przywracanie ustawień fabrycznych
Czerwony (stałe)		Reset sprzętu/awaria systemu

Schemat 3  
Podświetlenia wskaźnika statusu



Schemat 4  
Wskaźnik poziomu baterii etui i słuchawek dousznych

## 6. Łączność Bluetooth

### 6.1 Parowanie

Państwa słuchawki PI7 zostały zaprojektowane, aby odtwarzać muzykę bezprzewodowo z urządzeń audio wyposażonych w system Bluetooth, takich jak smartfony, tablety lub komputery. Aby to było możliwe, słuchawki muszą zostać sparowane z danym urządzeniem.

Zaraz po rozpakowaniu słuchawki PI7 będą przygotowane do parowania z dowolnym urządzeniem audio obsługującym Bluetooth.

#### 6.1.1 System iOS/system Android bez Google FastPair

1. Pobierz aplikację Bowers & Wilkins Headphone.
2. Otwórz wieko etui, wskaźnik będzie migał na niebiesko.
3. Przejdź do menu Bluetooth urządzenia i z listy urządzeń wybierz „Bowers & Wilkins PI7”.
4. Wskaźnik na etui zaświeci na niebiesko ciągłym światłem, wskazując, iż proces parowania zakończył się sukcesem.
5. Otwórz aplikację Bowers & Wilkins oraz dodaj słuchawki.

*Uwaga: Słuchawki automatycznie opuszczą tryb parowania Bluetooth, jeśli w ciągu 5 minut nie zostaną sparowane z żadnym urządzeniem. W razie niepowodzenia procesu parowania wskaźnik będzie szybko migał na niebiesko. W takiej sytuacji należy ponowić proces parowania.*

Aby sparować kolejne urządzenia proszę zapoznać się ze schematem 5:

1. Otwórz wieczko etui ze słuchawkami umieszczonymi wewnątrz etui.
2. Naciśnij i przytrzymaj przycisk wewnątrz etui przez około 1 - 5 sekund. Wskaźnik na etui będzie migał na niebiesko.
3. Przejdź do menu Bluetooth twojego nowego urządzenia i wybierz z listy urządzeń „Bowers & Wilkins PI7”.
4. Wskaźnik na etui zaświeci na niebiesko ciągłym światłem, wskazując, iż proces parowania zakończył się sukcesem.

PI7 może zapamiętać do 3 sparowanych urządzeń Bluetooth. W celu sparowania kolejnych urządzeń opisane wyżej czynności.

*Uwaga: Słuchawki automatycznie opuszczą tryb parowania Bluetooth jeśli w ciągu 5 minut nie zostaną sparowane z żadnym urządzeniem. W razie niepowodzenia procesu parowania wskaźnik będzie szybko migał na niebiesko. W takiej sytuacji należy ponowić proces parowania.*

### 6.1.2 Google FastPair (dla urządzeń z systemem Android wyposażonych w funkcjonalność GFP)

Aby dodać Państwa słuchawki:

1. Umieść etui nie dalej niż 10 cm od urządzenia z systemem Android (aktywny Bluetooth) i otwórz wieczko PI7.
2. Pojawi się okno powiadomienia GFP (Google FastPair) o treści „Bowers & Wilkins PI7 detected” oraz prośba o zainicjowanie procesu parowania.
3. Naciśnij znajdujący się w obrębie okna przycisk „Notification” aby zainicjować parowanie. Udana połączenie zostanie zasygnalizowane w oknie GFP.
5. Po sparowaniu
  - o Okno GFP przekieruje Państwa do sklepu Google Play, aby pobrać i zainstalować aplikację Bowers & Wilkins.
  - o Status naładowania każdej ze słuchawek oraz etui można sprawdzić w oknie GFP.

### 6.2 Odłączanie od urządzenia

PI7 mogą zostać szybko odłączone od urządzenia poprzez umieszczenie słuchawek w etui. Możliwe jest również zarządzanie szczegółami połączenia używając aplikacji Bowers & Wilkins Headphones w polu „Connections”.

### 6.3 Funkcje aplikacji

Aplikacja Bowers & Wilkins Headphones oferuje rozszerzoną konfigurację i regulację dla takich funkcjonalności jak adaptacyjne tłumienie hałasu (ANC), przepuszczanie dźwięków otoczenia oraz czujników używania słuchawek. Aplikacja umożliwi dalszą personalizację ustawień, takich jak komunikaty głosowe, poziom przepuszczania dźwięków otoczenia, zarządzanie połączeniami i aktualizacje oprogramowania słuchawek. Aplikacja może zostać pobrana bezpłatnie dla urządzeń iOS i Android.

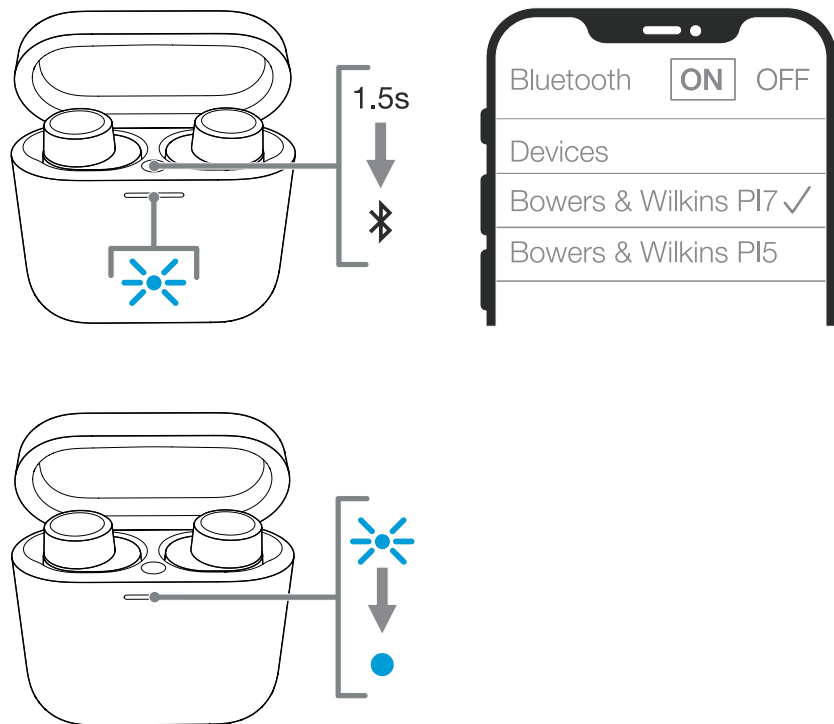
Aby dodać swoje słuchawki:

1. Z Twojego urządzenia mobilnego pobierz i zainstaluj aplikację Bowers & Wilkins Headphones.
2. Uruchoom aplikację, następnie zapoznaj się i postępuj zgodnie z instrukcjami dotyczącymi powiadomień i zgód.
3. Po przejściu do ekranu głównego po prostu naciśnij + i postępuj zgodnie z instrukcjami w aplikacji.

### 6.4 Aktualizacja oprogramowania słuchawek

Bowers & Wilkins od czasu do czasu udostępnią aktualizacje oprogramowania, które korygują i optymalizują pracę słuchawek lub dodają nowe funkcje.

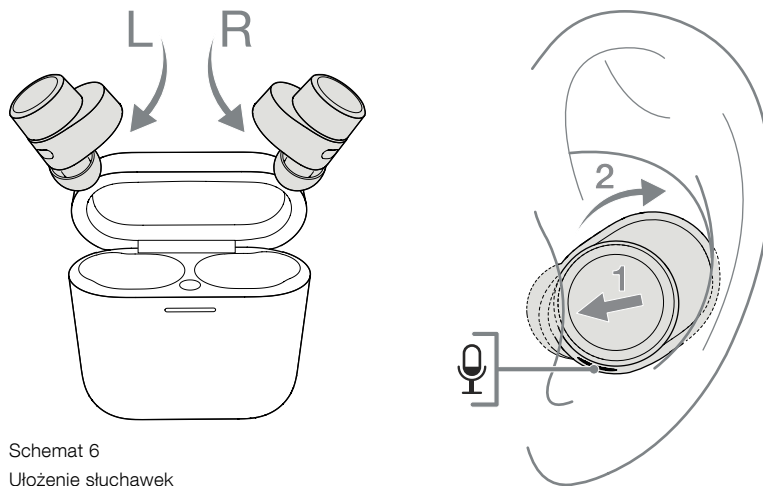
Aplikacja Bowers & Wilkins Headphones powiadomi cię, jak tylko aktualizacja oprogramowania zostanie udostępniona. Kliknij w powiadomienie i postępuj zgodnie ze wskazówkami w aplikacji.



Schemat 5  
Parowanie Bluetooth - kolejne urządzenie

## 7. Noszenie słuchawek

Poprawne ułożenie słuchawek umożliwi uzyskanie najlepszych efektów odsłuchu, patrz schemat 6. Podobnie jak wiele słuchawek dousznych, PI7 zostały zaprojektowane, aby szczególnie wypełniały kanał douszny, zapewniając dzięki temu optymalną jakość dźwięku. Wkładki douszne dostępne są w trzech rozmiarach (S, M i L). Dobranie odpowiedniego rozmiaru do uszu jest podstawą właściwego wypełnienia kanałów dousznych i zapewnienia PI7, oraz zaawansowanym funkcjom takim jak ANC, optymalnych warunków pracy.



Schemat 6  
Ułożenie słuchawek

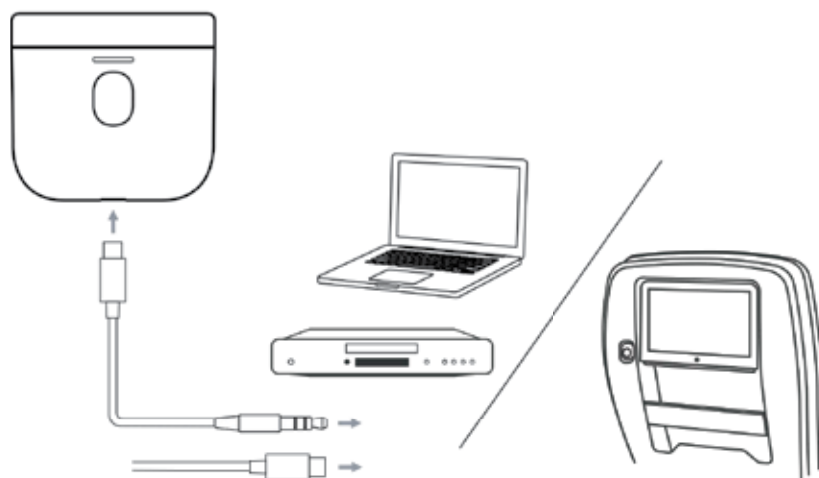
1. Określ lewą i prawą słuchawkę odnajdując oznaczenia L i R na wewnętrznych stronach słuchawek.
2. Umieść słuchawki w uszach, następnie obróć je delikatnie tak, aby krawędzie słuchawek dopasowały się do otworów kanałów dousznych.
3. Jeśli słuchawka wydaje się zbyt duża lub zbyt mała wypróbuj końcówki w innym rozmiarze tak, aby zapewnić najlepsze możliwe dopasowanie.

*Uwaga: w celu zoptymalizowania jakości połączenia telefonicznego proszę upewnić się, że mikrofon znajdujący się w dolnej części słuchawki skierowany jest na zewnątrz. Patrz schemat 6.*

## 8. Odtwarzanie z urządzeń multimedialnych

### 8.1 Podłączenie etui do urządzeń multimedialnych za pomocą dołączonego kabla USB-C do 3,5 mm lub USB-C do kabla C celem uruchomienia odtwarzania. Patrz schemat 7.

1. Za pomocą dołączonego kabla podłącz etui do urządzenia źródłowego.
2. Twoje PI7 automatycznie rozpoczną odtwarzanie.



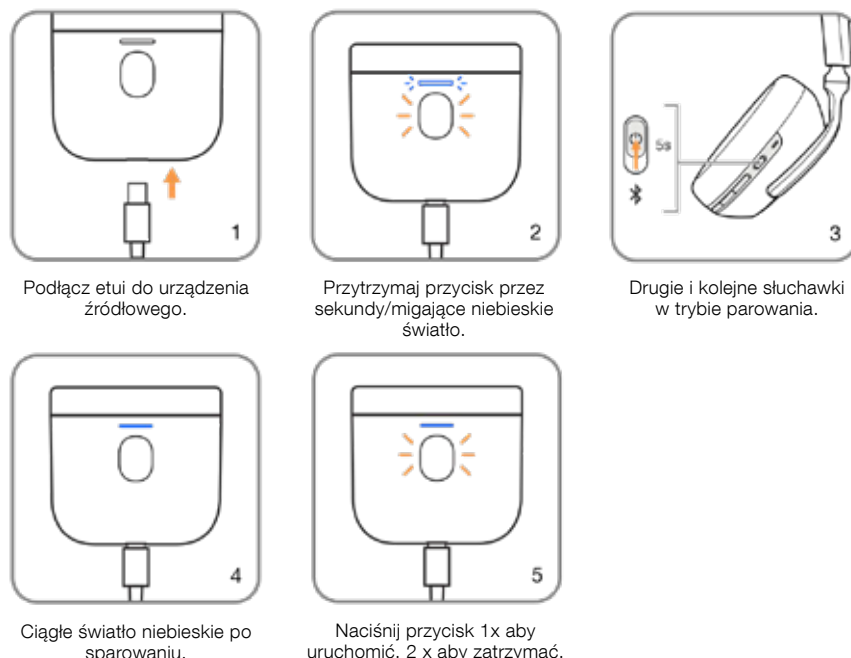
Schemat 7  
Strumieniowanie mediów

*Uwaga: w przypadku użytkowników komputerów Mac, przy pierwszym odtworzeniu, przejdź do sterowania wyjściem w sekcji Ustawienia dźwięku i wybierz opcję „Bowers & Wilkins PI7”.*

### 8.2 Parowanie z etui drugich i kolejnych słuchawek (TYLKO Bowers & Wilkins) jako urządzeń multimedialnych. Patrz schemat 8.

Twoje etui może być sparowane również innymi słuchawkami Bowers & Wilkins jako urządzeniami multimedialnymi.

1. Za pomocą dołączonego kabla podłącz etui do urządzenia źródłowego.
2. Naciśnij i przytrzymaj zewnętrzny przycisk przez 3 sekundy do chwili, aż dioda LED zacznie migać na niebiesko.
3. Przelącz słuchawki w tryb parowania.
4. Dioda LED zaświeci na niebiesko ciągłym światłem, wskazując, iż proces parowania zakończył się sukcesem.
5. Po sparowaniu naciśnij zewnętrzny przycisk na etui,
  - 1x, aby rozpocząć odtwarzanie,
  - 2x, aby zatrzymać odtwarzanie.



Schemat 8  
Odsłuch z drugich/kolejnych słuchawek

*Uwaga: Obie słuchawki muszą znajdować się w etui podczas korzystania z drugiej pary słuchawek. Sparowanie kolejnych słuchawek spowoduje wykasowanie historii parowania.*



## 9. Przywracanie ustawień/Rozwiązywanie problemów

### 9.1 Przywracanie ustawień fabrycznych

Możesz wyczyścić historię parowanych urządzeń i przywrócić wszystkie ustawienia do wartości domyślnych.

Aby przywrócić słuchawki do ustawień fabrycznych, otwórz etui ze znajdującymi się w środku słuchawkami. Następnie naciśnij i przytrzymaj przez 5 sekund przycisk znajdujący się wewnątrz etui. Wskaźnik na etui zaświeci się na czerwono informując, że urządzenie zostało przywrócone do ustawień fabrycznych.

*UWAGA: W sytuacji gdy słuchawki nie funkcjonują poprawnie, aby rozwiązać problem należy przywrócić ustawienia fabryczne.*

### 9.2 Twardy reset

Aby przeprowadzić twardy reset słuchawek, otwórz etui ze znajdującymi się w środku słuchawkami. Naciśnij i przytrzymaj przez 15 sekund przycisk znajdujący się wewnątrz etui aż wskaźnik LED wygaśnie, po czym ponownie zaświeci się na zielono, informując o ukończeniu procesu resetowania.

*UWAGA: W razie poważnej awarii systemu (dioda LED świecąca ciągłym światłem czerwonym) należy przeprowadzić twardy reset.*

## 10. Pielęgnacja słuchawek

Słuchawki należy czyścić wilgotną ściereczką, delikatnie je przecierając, aż staną się czyste. Nie używać środków czyszczących, detergentów, materiałów ściernych, alkoholu, chemicznych środków czyszczących, past. Nie zastosowanie się do powyższych wskazówek może doprowadzić do uszkodzenia słuchawek.

## 11. Serwis/Wsparcie

Jeśli potrzebujesz pomocy w rozwiązaniu danego problemu lub po prostu masz pytanie, na które chciałbyś uzyskać odpowiedź, zapoznaj się wpiery z sekcją dotyczącą obsługi słuchawek na stronie internetowej Bowers & Wilkins: [www.bowerswilkins.com](http://www.bowerswilkins.com).

## Specyfikacje

Szczegóły techniczne	Technologia TRUE WIRELESS Bluetooth 5.0 z adaptacyjną technologią AptX Auto ANC Odtwarzanie dźwięków z etui ładującego Ładowanie bezprzewodowe oraz za pomocą USB-C
Kodeki Bluetooth	AptX – Adaptive AptX – HD AptX – Low Latency AptX – Classic AAC SBC
Profile Bluetooth	A2DP v1.3.1 AVRCP v1.6.1 HFP v1.7.1 HSP v1.2 BLE GATT (Generic Attribute Profile)
Częstotliwość pasma	Tryb Tx: 2402 MHz do 2480 MHz, pasmo ISM Tryb Rx: 2402 MHz do 2480 MHz, pasmo ISM
Moc wyjściowa RF	< 0r =10,0 dBm
Przetworniki	Dynamiczne 9,2 mm z Balanced Armature
Zakres częstotliwości	10 Hz do 20 kHz
Zniekształcenia (THD)	<0,3% (1 kHz/10 mW)
Czas pracy	Do 4 godzin Bluetooth
Ładowanie	15 minut ładowania = 2 godziny pracy Bluetooth
Wejścia	Bluetooth
Waga	7 g słuchawki, 61 g etui ładujące

## 欢迎来到Bowers&Wilkins和PI7

感谢您选择Bowers & Wilkins。约翰·鲍尔斯（John Bowers）刚成立我们公司时，就坚信，富有想像力的设计，创新的工程技术和先进的技术是可以释放家庭音频享受的关键。

PI7是一款高性能入耳式耳机，旨在提供最高质量的移动个人音频体验，并结合了无线操作的便利性和消除噪音后的宁静性。本手册将告诉您要充分利用PI7耳机所需的一切。

您的PI7可以通过蓝牙手机，平板电脑或电脑以无线串流播放音乐。PI7也可以用于接听无线电话。

PI7真实世界聆听功能包括我们在自适应消噪，环境直通和增强的配带传感功能上的创新技术。我们最新一代的噪音消除功能是全新设计，具有智能的环境感应功能，可以自动选择最适合您周围环境的噪音消除类型，其唯一目的是提供无与伦比的聆听体验。环境直通可以清晰地听到外部声音，例如对话或安全通知，而无需卸下耳机。佩戴传感功能使PI7能够自然响应，只需将听筒放在耳朵上或离开耳朵即可暂停和恢复音乐。这些功能可以通过Bowers & Wilkins耳机应用程序来启用和进一步设定，该应用在iOS和Android设备上并免费提供。

PI7包含一个可充电电池盒。在充满电后，根据蓝牙，自适应降噪和环境直通等的使用的程度，可以提供长达20小时的连续无线媒体流传输，这包括在平均播放音量级别下启用了降噪功能。

## 1. PI7 包装内容

PI7 塞耳式耳机 (M)  
充电盒  
USB-C 充电和 USB-C 至 3.5mm 音频线  
耳塞 (S/L)  
资料包

## 2. 了解你的 PI7

### 2.1 开启和关闭耳机

#### 开启/关闭

PI7 没有电源控制，而是自动进行电源管理。您的 PI7 耳塞放入充电盒后将自动充电，并且从盒中取出后即可使用。

当您的耳塞从充电盒中取出并在 5 分钟内未有使用时，它们将进入省电模式。要退出节能模式，请通过连接已配对的设备，并传输音频或将耳塞插入耳中来再次开始使用耳塞。

### 2.2 耳机控制

每个耳塞在耳塞的顶盖上都有一个多功能按钮，请参见图1。多功能按钮控制项如下：

#### 媒体播放：

功能	动作
播放或暂停	按下多功能按钮一次。
播放下一首曲目	快速连续按两下多功能按钮。
播放上一曲	快速连续按三下多功能按钮。

#### 手机通话功能：

功能	动作
接听电话	在有来电时按一次多功能按钮。
结束通话	当来电时，快速连续按两次多功能按钮。
拒绝来电	当来电时，快速连续地按下多功能按钮两次。

## 3. 智能功能

### 3.1 自适应降噪

噪音消除是一系列先进技术，可帮助从周围环境中消除不欲听到的噪音。

PI7 拥有我们在自适应噪声消除方面的最新创新，其中包括智能感应，进行最适合您的周围环境的噪声消除和调整。随着您周围环境的变化，噪音消除功能将自动适应您的新环境。

按住左 (L) 耳塞多功能按钮 1 秒钟即可激活降噪功能，再按 1 秒钟可循环选择以下模式：开，自动或关。有关按钮的位置，请参见图 2。

功能	应用
开	消除周围环境中不欲听到的噪音。
自动	智能地适应最适合您当前环境的噪音消除。
关	关闭噪音消除功能。

### 3.2 语音协助

按住右 (R) 耳塞多功能按钮 1 秒钟，即可激活语音助手。有关按钮的位置，请参见图 2。

### 3.3 环境直通

PI7 具有环境直通功能，可以在不摘下耳机的情况下听到周围环境的一些外部噪音，例如安全公告或谈话。

可以通过 Bowers & Wilkins 耳机应用程序启用或停用环境直通。亦可以通过应用程序调整环境直通级别，高/低/关，以适应您的需求。

## 3.4 穿戴传感器

PI7 在两个耳塞中均配置了我们最新的增强型佩戴检测传感器。当耳塞从耳朵移开时会进入省电模式，从而实现了智能电池节省。再次佩戴时，PI7 会自动唤醒并连接到最后连接的蓝牙设备。

从耳中取出耳塞后，传感器还会暂停音频。将耳塞放回耳朵后，播放将自动恢复。自动恢复功能已得到进一步优化，因此只有在您准备就绪时，它便可以使用。

佩戴传感器可以从 Bowers & Wilkins 耳机应用程序中关闭。

**注意：**配戴耳机时要特别小心，耳朵及耳塞之间夹住的头发或配件可能会干扰接近之感应。

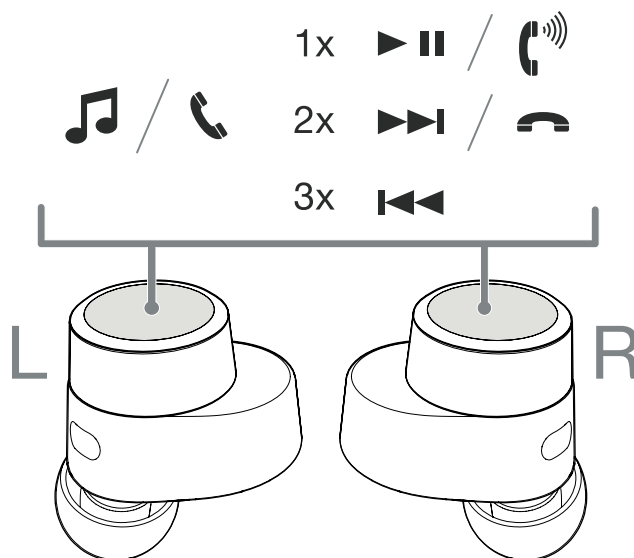


图1  
多功能按键

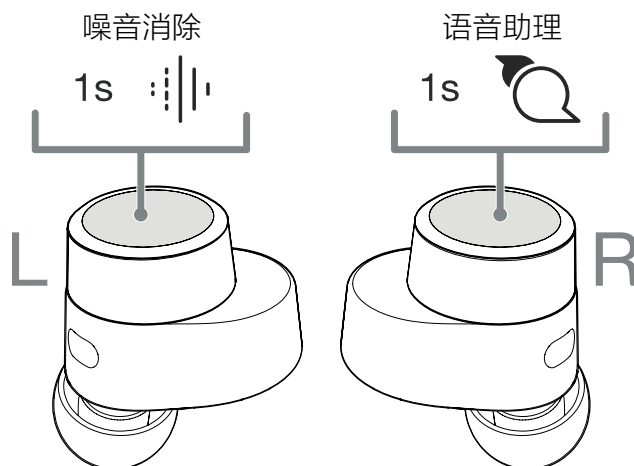


图2  
耳机控制

## 4. 存放耳塞

当不使用时，PI7耳塞应存放在充电盒中，并在当中充电，为将来使用做好准备。

## 5. 电池充电

PI7出厂时，充电盒和耳塞电池已部份充电，并可立即使用。为了获得最佳使用体验，我们建议您在首次使用前将耳机完全充满电。请最多允许3个小时以充满电。

要为PI7耳塞充电：

1. 将PI7耳塞放在充电盒中。
2. 关闭充电盒盖。

要为PI7充电盒充电：

1. 使用提供的USB充电电线，并将USB插头连接到USB充电器或能供电的电脑USB插座。
2. 然后将USB-C端连接到充电盒的USB-C插座。

注意：在充电过程中，充电盒的指示灯将闪烁绿色。充满电后，指示灯将保持点亮状态。可以在将耳塞装入或未装入盒内的情况下对充电盒进行充电。

要使用无线充电机为PI7充电盒充电：

1. 将充电盒放在无线充电机上。
2. 确保充电盒的背面在充电机上（充电盒指示器朝上）。

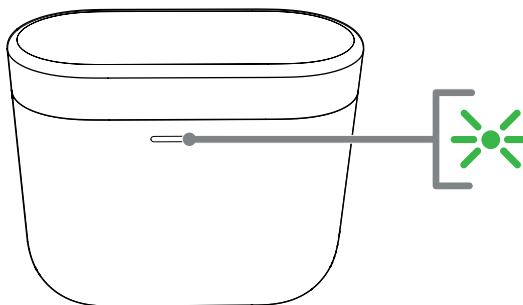
注意：在充电过程中，充电盒的指示灯将闪烁绿色。充满电后，指示灯将保持点亮状态。

### 5.1 状态指示器

状态指示灯位于充电盒的正面。将耳塞放在充电盒后，LED会提供有关耳塞的信息。从盒中取出耳塞后，LED会提供有关充电盒的信息。有关LED的状态，请参见图3。

### 5.2 检查电池电量

您可以通过按一下充电盒外部的按钮一次来检查充电盒的电池电量。将两个耳塞都存放在充电盒中，按两次相同的按钮以查看耳塞的电池电量。有关按钮的位置，请参见图4。



当耳塞放在充电盒中

指示灯		操作状态
绿色（盒盖打开）		耳塞电池电量 > 40%
黄色（开机后）		耳塞电池充电 > 20%， <40%
红色（开机后）		耳塞电池电量 <20%
红色（闪烁）		耳塞恢复出厂设置
红色（稳定）		硬件重置/系统冲突
蓝色（闪烁）		配对模式已启用
蓝色（稳定3秒）		配对成功

从充电盒中取出耳塞

指示灯		操作状态
绿色（盒盖打开）		电池充电 > 40%
黄色（开机后）		电池充电 > 20%， <40%
红色（开机后）		电池充电 <20%
红色（闪烁）		出厂重置
红色（稳定）		硬件重置/系统冲突

图3  
状态指示灯

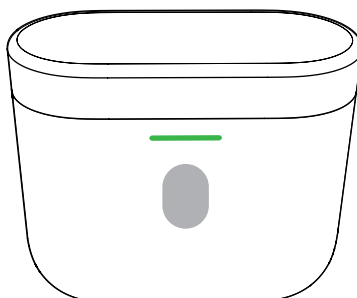


图4  
充电盒和耳塞电池指示器

## 6. 蓝牙连接

### 6.1 配对

PI7耳机旨在从蓝牙音频设备（例如，智能手机，平板或电脑）无线串流传输音乐。为此，必须先要将耳机和设备配对。

收到PI7耳机后，它们便可以以任何蓝牙音频设备配对了。

#### 6.1.1 iOS系统/ 不使用Google FastPair的Android系统。

1. 下载Bowers & Wilkins耳机应用程序。
2. 打开耳机盒盖，盒上指示灯将闪烁蓝色。
3. 转到设备上的蓝牙配对菜单，然后从设备列表中选择“Bowers & Wilkins PI7”。
4. 耳机盒指示灯将变为稳定的蓝色，表示配对成功。
5. 打开Bowers & Wilkins应用程序并添加耳机。

**注意：**如果在5分钟内未配对到任何设备，则耳机将自动退出蓝牙配对模式。如果配对失败，指示灯将快速闪烁蓝色，请尝试再次配对。

配对到之后的装置。参见图5：

1. 打开盒盖，将耳塞放入盒内。
2. 按住机盒内的按钮1至5秒钟，机箱指示灯将闪烁蓝色。
3. 转到新设备的蓝牙配对菜单，然后从设备列表中选择“Bowers & Wilkins PI7”。
4. 机盒指示灯将变为稳定的蓝色，表示配对成功。

PI7最多可以记住3个配对的蓝牙设备。重复上述步骤以配对更多设备。

**注意：**如果5分钟内未配对到任何设备，则您的耳塞将自动退出蓝牙配对模式。如果配对失败，指示灯将快速闪烁蓝色，请重新尝试配对。

### 6.1.2 Google FastPair (适用于结合了GFP功能的Android系统)

添加耳机：

1. 将耳机盒放在离Android设备（启用BT）不超过10厘米（4英寸）的位置，然后打开PI7耳机盒盖。
2. 将会弹出一个GFP（Google FastPair）通知视窗，显示“检测到Bowers & Wilkins PI7”并请求开始配对过程。
3. 按视窗上的“通知”按钮以启用配对，成功连接将显示在GFP视窗中。
4. 配对后：
  - o GFP视窗会将您定向到Google Play商店，以下载并安装Bowers & Wilkins应用程序。
  - o 在GFP视窗中可以看到左/右耳塞和耳机盒电量

### 6.2 断开与设备的连接

通过将耳塞放回机盒，可以快速断开PI7与设备的连接。或者，您可以使用Bowers & Wilkins耳机应用程序的Connections进一步管理连接。

## 6.3 应用程序功能

Bowers & Wilkins耳机应用程序为诸如自适应噪声消除，环境直通和佩戴传感器等功能提供了扩展的设置和调整。该应用程序还提供进一步的自行设置，例如语音提示，环境声直通级别，连接管理和耳机软件更新。该应用程序可在iOS和Android设备上免费下载。

添加耳机：

1. 在您的移动设备上，下载并安装Bowers & Wilkins耳机应用程序。
2. 启动应用程序，然后阅读并遵循与应用程序通知和权限有关的说明。
3. 进入主屏幕后，只需点击+，然后按照应用程序内的说明进行操作。

## 6.4 耳机软件更新

Bowers & Wilkins有时会提供可用的软件更新，以完善和优化耳机的性能或添加新功能。

当软件更新可用时，Bowers & Wilkins耳机应用程序将通知您，点击通知并按照应用程序内说明进行操作。

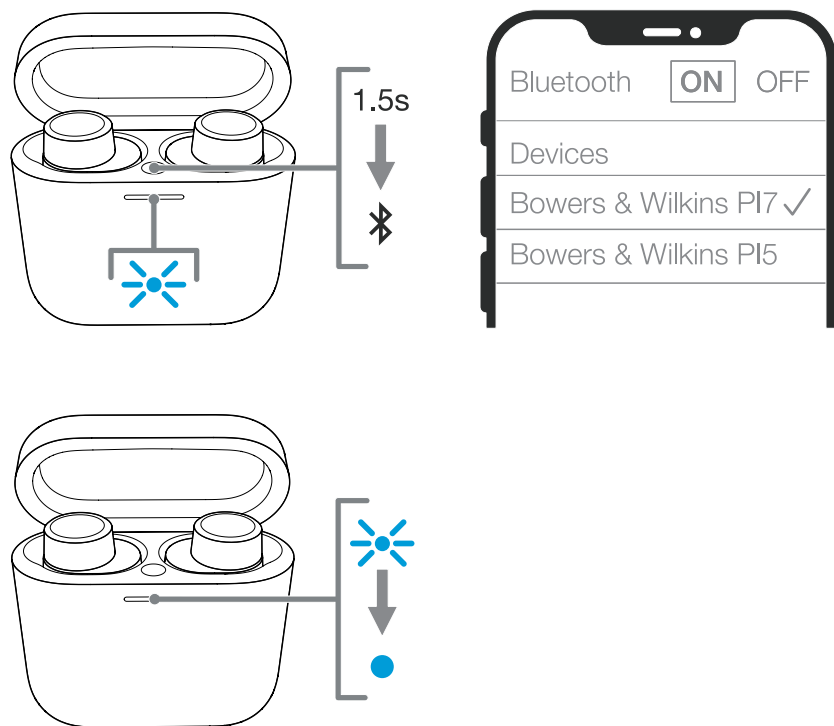


图5  
蓝牙配对-后续设备

## 7. 佩戴耳机

正确佩戴耳机将有助于确保您获得最佳体验，请参见图6。与许多入耳式耳机一样，PI7耳塞旨在密封耳道，以实现最佳性能。耳塞胶有三种尺寸（小、中和大）。找到适合您的耳朵的尺寸对于获得良好的密封性并确保PI7和自适应噪声消除等高级功能发挥最佳性能至关重要。

1. 通过找到位于每个耳塞内侧的L和R标识来识别左右耳塞。
2. 将耳塞放在您的耳朵中，然后将耳塞稍微向后扭转，以使末端与耳道的开口舒适地接合。
3. 如果耳塞的大小感觉较大或较小，请尝试使用其他尺寸的耳塞胶，以确保最佳贴合度。

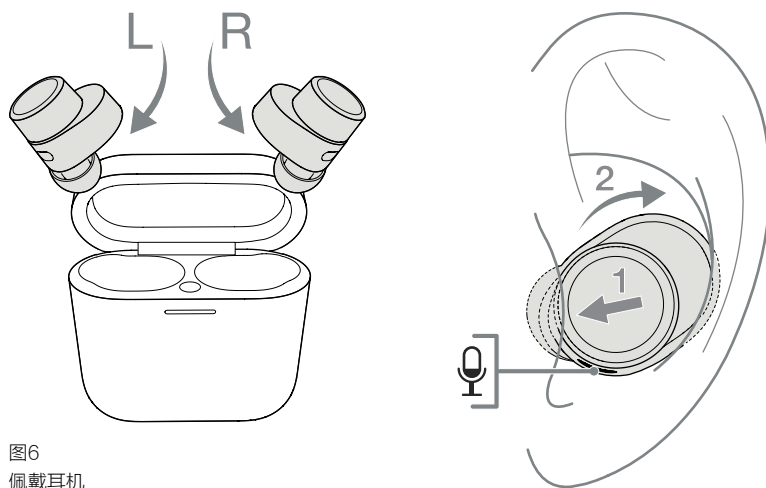


图6  
佩戴耳机

注意：为优化通话质量，请确保耳塞下方的麦克风朝外，请参见图6。

## 8. 媒体串流

### 8.1 使用随附的USB C型到3.5mm或USB C型到C型接线将耳机盒连接到媒体源，以进行媒体串流传输，请参见图7。

1. 将随附的接线连接到耳机箱和音源设备。
2. 您的PI7将自动开始串流式传。

注意：对于Mac用户，第一次进行串流式处理，请转到“声音设置”下的输出控制，然后选择“Bowers & Wilkins PI7”。

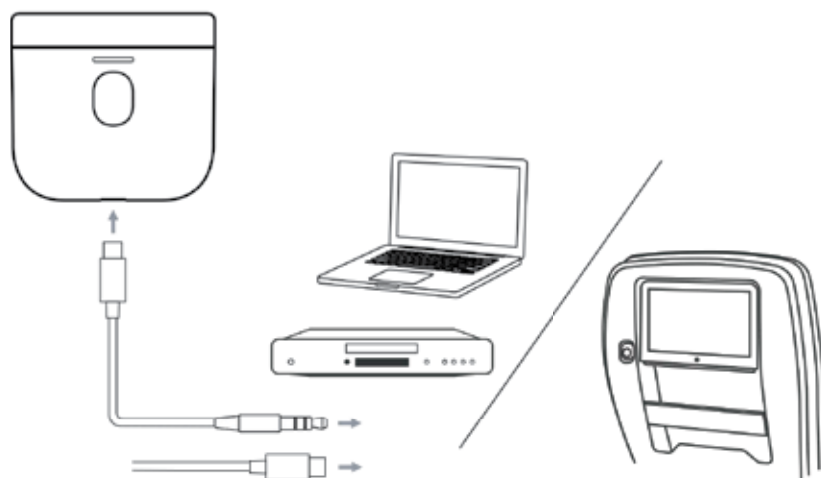


图7  
媒体串流

### 8.2 将第二对/后续耳机（仅限Bowers & Wilkins的）与耳机盒配对以进行串流媒体传输，请参见图8。

您的耳机盒还可以与另一对Bowers & Wilkins耳机配对以进行串流媒体播放。

1. 将随附的接线连接到耳机盒和音源设备。
2. 按住外部按钮3秒钟，直到LED闪烁蓝光。
3. 将耳机切换到配对模式。
4. 耳机盒LED将变为稳定的蓝色，以指示连接已完成。
5. 配对后，按耳机盒按钮：
  - 1x即可开始串流式传输
  - 2x 停止串流媒体播放

注意：使用第二耳机时，两个耳塞都必须在耳机盒内。一旦配对了后续的耳机，配对的历史记录将被删除。

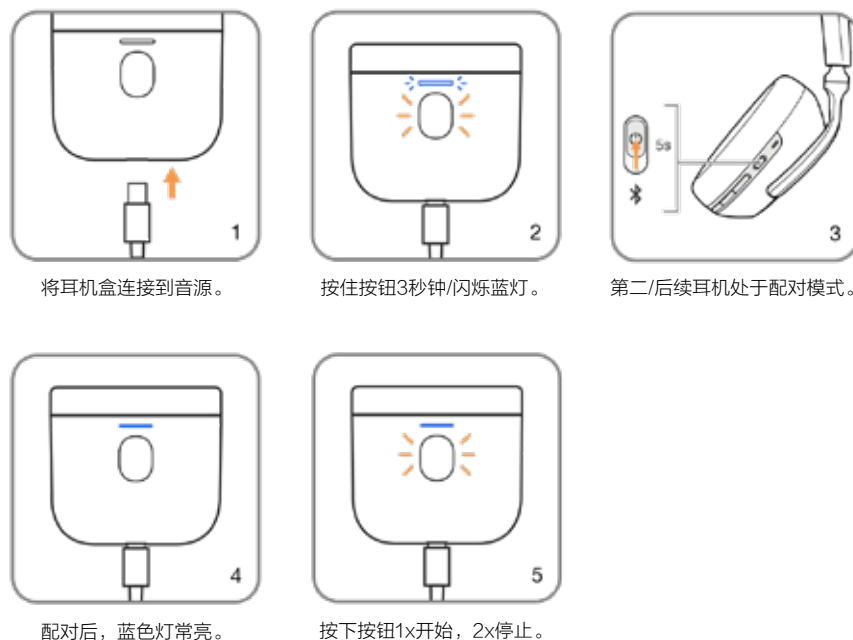


图8  
第二/后续耳机串流

## 9. 重置/故障排除

### 9.1 恢复出厂设置

您可以清除配对的设备历史记录，并将所有设置恢复为默认设置。

要恢复出厂时耳塞的设定，请在将耳塞放在盒内的情况下打开充电盒。按住机箱内部的按钮5秒钟，然后松开。盒上的指示灯将变为红色以指示已重置。

**注意：**如果耳塞无法正常工作，请恢复出厂设置以解决此问题。

### 9.2 硬重置

要硬重置耳塞，请打开并放入耳塞的盒子。按住机箱内的按钮15秒钟，直到LED指示灯熄灭并呈绿色亮起以指示硬重置过程完成。

**注意：**对于严重的系统崩溃（红色LED持续亮起），请执行硬重置。

## 10. 耳机保养

可用湿布清洁耳塞，然后轻轻擦拭直至清洁。请勿使用清洗洗涤剂，酒精或化学清洁剂/抛光剂，否则可能会损坏您的耳塞。

## 11. 服务/支援

如果您需要解决特定问题的帮助，或者只是想您的问题得到一个简单的答案请首先咨询Bowers & Wilkins网站的耳机支援部分：[www.bowerswilkins.com](http://www.bowerswilkins.com)。

## 规格

技術特點	真无线技术 具有AptX Adaptive自适应技术的蓝牙5.0 自动ANC 充电盒音频串流 无线和USB-C充电 支持快速充电
蓝牙编解码器	AptX - Adaptive自适应 AptX - HD高清 AptX - Low Latency低延迟 AptX - Classic经典 AAC SBC
蓝牙配置文件	A2DP v1.3.1 AVRCP v1.6.1 HFP v1.7.1 HSP v1.2 BLE GATT (Generic Attribute Profile通用属性配置文件)
频段	发送模式：2402MHz至2480MHz，ISM频段 接收模式：2402MHz至2480MHz，ISM频段
射频输出功率	< 0r =10.0 dBm
驱动单元	9.2mm动圈 加 动铁式（平衡电枢）
频率范围	10Hz 至 20kHz
失真度(THD)	<0.3% (1kHz/10mW)
电池续航时间	长达4小时蓝牙运作
充电1	15分钟充电= 2小时蓝牙运作
输入	蓝牙
重量	耳塞7克，充电盒61克

## 歡迎來到Bowers&Wilkins和PI7

感謝您選擇Bowers & Wilkins。約翰·鮑爾斯（John Bowers）剛成立我們公司時，就堅信，富有想像力的設計，創新的工程技術和先進的技術是可以釋放家庭音頻享受的關鍵。

PI7是一款高性能入耳式耳機，旨在提供最高質量的移動個人音頻體驗，並結合了無線操作的便利性和消除噪音後的寧靜性。本手冊將告訴您要充分利用PI7耳機所需的一切。

您的PI7可以通過藍牙手機，平板電腦或電腦以無線串流播放音樂。PI7也可以用於接聽無線電話。

PI7真實世界聆聽功能包括我們在自適應消噪，環境直通和增強的配帶傳感功能上的創新技術。我們最新一代的噪音消除功能是全新設計，具有智能的環境感應功能，可以自動選擇最適合您周圍環境的噪音消除類型，其唯一目的是提供無與倫比的聆聽體驗。環境直通可以清晰地聽到外部聲音，例如對話或安全通知，而無需卸下耳機。佩戴傳感功能使PI7能夠自然響應，只需將聽筒放在耳朵上或離開耳朵即可暫停和恢復音樂。這些功能可以通過Bowers & Wilkins耳機應用程式來啟用和進一步設定，該應用在iOS和Android設備上並免費提供。

PI7包含一個可充電電池盒。在充滿電後，根據藍牙，自適應降噪和環境直通等的使用的程度，可以提供長達20小時的連續無線媒體流傳輸，這包括在平均播放音量級別下啟用了降噪功能。



## 1. PI7 紙箱內容

PI7 塞耳式耳機 (M)  
 充電盒  
 USB-C 充電和 USB-C 至 3.5mm 音頻線  
 耳塞 (S/L)  
 資料包

## 2. 了解你的 PI7

### 2.1 開啟和關閉耳機

#### 開啟/關閉

PI7 沒有電源控制，而是自動進行電源管理。您的 PI7 耳塞放入充電盒後將自動充電，並且從盒中取出後即可使用。

當您的耳塞從充電盒中取出並在 5 分鐘內未有使用時，它們將進入省電模式。要退出節能模式，請通過連接已配對的設備，並傳輸音頻或將耳塞插入耳中來再次開始使用耳塞。

### 2.2 耳機控制

每個耳塞在耳塞的頂蓋上都有一個多功能按鈕，請參見圖 1。多功能按鈕控制項如下：

#### 媒體播放：

功能	動作
播放或暫停	按下多功能按鈕一次。
播放下一首曲目	快速連續按兩下多功能按鈕。
播放上一曲	快速連續按三下多功能按鈕。

#### 手機通話功能：

功能	動作
接聽電話	在有來電時按一次多功能按鈕。
結束通話	當來電時，快速連續按兩次多功能按鈕。
拒絕來電	當來電時，快速連續地按下多功能按鈕兩次。

## 3. 智能功能

### 3.1 自適應降噪

噪音消除是一系列先進技術，可幫助從周圍環境中消除不願聽到的噪音。

PI7 擁有我們在自適應噪聲消除方面的最新創新，其中包括智能感應，進行最適合您的周圍環境的噪聲消除和調整。隨著您周圍環境的變化，噪音消除功能將自動適應您的新環境。

按住左 (L) 耳塞多功能按鈕 1 秒鐘即可激活降噪功能，再按 1 秒鐘可循環選擇以下模式：開，自動或關。有關按鈕的位置，請參見圖 2。

功能	應用
開	消除周圍環境中不願聽到的噪音。
自動	智能地適應最適合您當前環境的噪音消除。
關	關閉噪音消除功能。

### 3.2 語音協助

按住右 (R) 耳塞多功能按鈕 1 秒鐘，即可激活語音助手。有關按鈕的位置，請參見圖 2。

### 3.3 環境直通

PI7 具有環境直通功能，可以在不摘下耳機的情況下聽到周圍環境的一些外部噪音，例如安全公告或談話。

可以通過 Bowers & Wilkins 耳機應用程式啟用或停用環境直通。亦可以通過應用程式調整環境直通級別，高/低/關，以適應您的需求。

### 3.4 穿戴傳感測器

PI7 在兩個耳塞中均配置了我們最新的增強型佩戴檢測傳感器。當耳塞從耳朵移開時會進入省電模式，從而實現了智能電池節省。再次佩戴時，PI7 會自動喚醒並連接到最後連接的藍牙設備。

從耳中取出耳塞後，傳感器還會暫停音頻。將耳塞放回耳朵後，播放將自動恢復。自動恢復功能已得到進一步優化，因此只有在您準備就緒時，它便可以使用。

佩戴傳感器可以從 Bowers & Wilkins 耳機應用程式中關閉。

注意：配戴耳機時要特別小心，耳朵及耳塞之間夾住的頭髮或配件可能會干擾接近之感應。

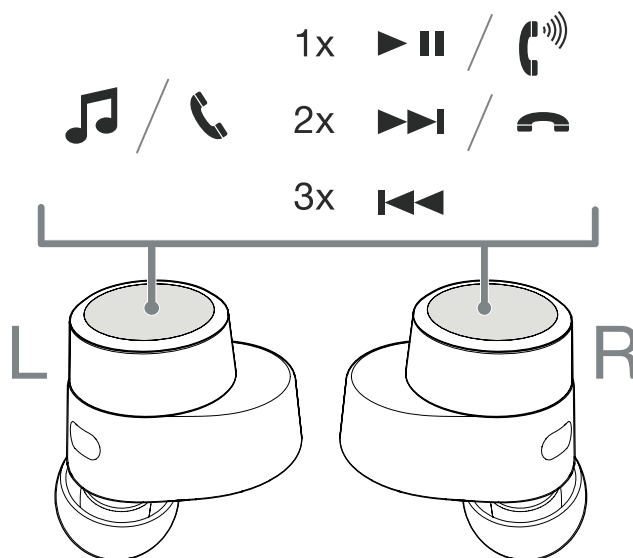


圖 1  
多功能按鍵

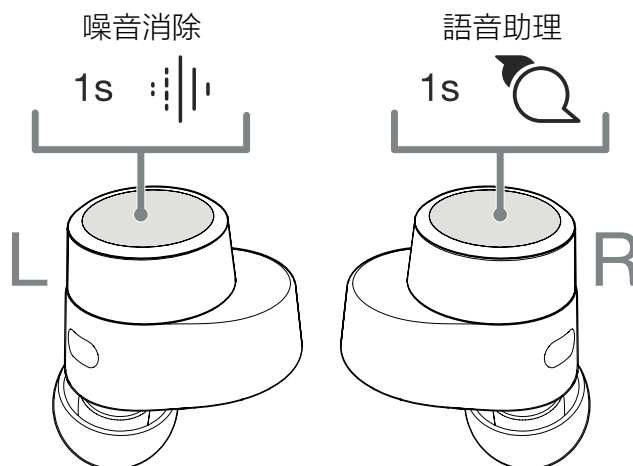


圖 2  
耳機控制

## 4. 存放耳塞

當不使用時，PI7耳塞應存放在充電盒中，並在當中充電，為將來使用做好準備。

## 5. 電池充電

PI7出廠時，充電盒和耳塞電池已部份充電，並可立即使用。為了獲得最佳使用體驗，我們建議您在首次使用前將耳機完全充滿電。請最多允許3個小時以充滿電。

要為PI7耳塞充電：

1. 將PI7耳塞放在充電盒中。
2. 關閉充電盒蓋。

要為PI7充電盒充電：

1. 使用提供的USB充電電線，並將USB插頭連接到USB充電器或能供電的電腦USB插座。
2. 然後將USB-C端連接到充電盒的USB-C插座。

注意：在充電過程中，充電盒的指示燈將閃爍綠色。充滿電後，指示燈將保持點亮狀態。可以在將耳塞裝入或未裝入盒內的情況下對充電盒進行充電。

要使用無線充電機為PI7充電盒充電：

1. 將充電盒放在無線充電機上。
2. 確保充電盒的背面在充電機上（充電盒指示器朝上）。

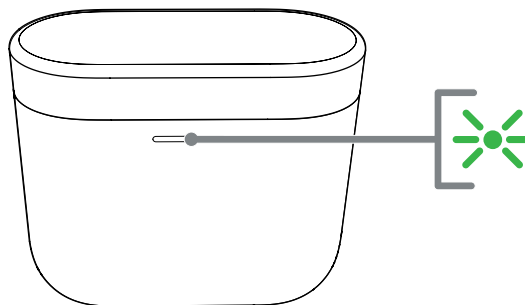
注意：在充電過程中，充電盒的指示燈將閃爍綠色。充滿電後，指示燈將保持點亮狀態。

### 5.1 狀態指示器

狀態指示燈位於充電盒的正面。將耳塞放在充電盒後，LED會提供有關耳塞的信息。從盒中取出耳塞後，LED會提供有關充電盒的信息。有關LED的狀態，請參見圖3。

### 5.2 檢查電池電量

您可以通過按一下充電盒外部的按鈕一次來檢查充電盒的電池電量。將兩個耳塞都存放在充電盒中，按兩次相同的按鈕以查看耳塞的電池電量。有關按鈕的位置，請參見圖4。



當耳塞放在充電盒中

指示燈	操作狀態
綠色（盒蓋打開）	耳塞電池電量>40%
黃色（開機後）	耳塞電池充電>20%，<40%
紅色（開機後）	耳塞電池電量<20%
紅色（閃爍）	耳塞恢復出廠設置
紅色（穩定）	硬件重置/系統衝突
藍色（閃爍）	配對模式已啟用
藍色（穩定3秒）	配對成功

從充電盒中取出耳塞

指示燈	操作狀態
綠色（盒蓋打開）	電池充電>40%
黃色（開機後）	電池充電>20%，<40%
紅色（開機後）	電池充電<20%
紅色（閃爍）	出廠重置
紅色（穩定）	硬件重置/系統衝突

圖3  
狀態指示燈

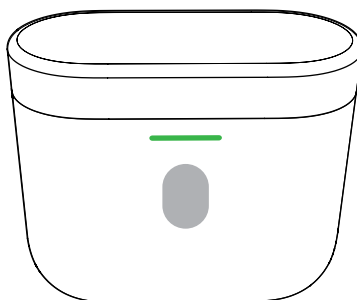


圖4  
充電盒和耳塞電池指示器

## 6. 藍牙連接

### 6.1 配對

PI7耳機旨在從藍牙音頻設備（例如，智能手機，平板或電腦）無線串流傳輸音樂。為此，必須先將耳機和設備配對。

收到PI7耳機後，它們便可以與任何藍牙音頻設備配對了。

#### 6.1.1 iOS系統/ 不使用Google FastPair的Android系統。

1. 下載Bowers & Wilkins耳機應用程序。
2. 打開耳機盒蓋，盒上指示燈將閃爍藍色。
3. 轉到設備上的藍牙配對菜單，然後從設備列表中選擇“Bowers & Wilkins PI7”。
4. 耳機盒指示燈將變為穩定的藍色，表示配對成功。
5. 打開Bowers & Wilkins應用程序並添加耳機。

**注意：**如果在5分鐘內未配對任何設備，則耳機將自動退出藍牙配對模式。如果配對失敗，指示燈將快速閃爍藍色，請嘗試再次配對。

配對到之後的裝置。參見圖5：

1. 打開盒蓋，將耳塞放入盒內。
2. 按住機盒內的按鈕1至5秒鐘，機箱指示燈將閃爍藍色。
3. 轉到新設備的藍牙配對菜單，然後從設備列表中選擇“Bowers & Wilkins PI7”。
4. 機盒指示燈將變為穩定的藍色，表示配對成功。

PI7最多可以記住3個配對的藍牙設備。重複上述步驟以配對更多設備。

**注意：**如果5分鐘內未配對任何設備，則您的耳塞將自動退出藍牙配對模式。如果配對失敗，指示燈將快速閃爍藍色，請重新嘗試配對

### 6.1.2 Google FastPair（適用於結合了GFP功能的Android系統）

添加耳機：

1. 將耳機盒放在離Android設備（啟用BT）不超過10厘米（4英寸）的位置，然後打開PI7耳機盒蓋。
2. 將會彈出一個GFP（Google FastPair）通知視窗，顯示“檢測到Bowers & Wilkins PI7”並請求開始配對過程。
3. 按視窗上的“通知”按鈕以啟用配對，成功連接將顯示在GFP視窗中。
4. 配對後：
  - GFP視窗會將您定向到Google Play商店，以下載並安裝Bowers & Wilkins應用程序。
  - 在GFP視窗中可以看到左/右耳塞和耳機盒電量

### 6.2 斷開與設備的連接

通過將耳塞放回機盒，可以快速斷開PI7與設備的連接。或者，您可以使用Bowers & Wilkins耳機應用程序的Connections進一步管理連接。

### 6.3 應用程式功能

Bowers & Wilkins耳機應用程序為諸如自適應噪聲消除，環境直通和佩戴傳感器等功能提供了擴展的設置和調整。該應用程序還提供進一步的自行設置，例如語音提示，環境聲直通級別，連接管理和耳機軟件更新。該應用程序可在iOS和Android設備上免費下載。

添加耳機：

1. 在您的移動設備上，下載並安裝Bowers & Wilkins耳機應用程序。
2. 啟動應用程序，然後閱讀並遵循與應用程序通知和權限有關的說明。
3. 進入主屏幕後，只需點擊+，然後按照應用程序內的說明進行操作。

### 6.4 耳機軟件更新

Bowers & Wilkins有時會提供可用的軟件更新，以完善和優化耳機的性能或添加新功能。

當軟件更新可用時，Bowers & Wilkins耳機應用程序將通知您，點擊通知並按照應用程序內說明進行操作。

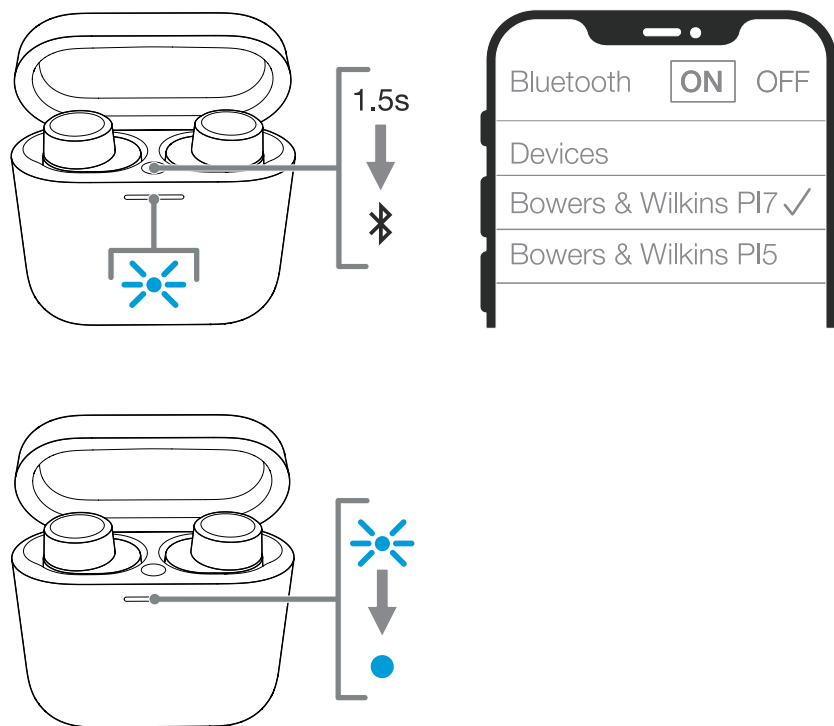


圖5  
藍牙配對-後續設備

## 7. 佩戴耳機

正確佩戴耳機將有助於確保您獲得最佳體驗，請參見圖6。與許多入耳式耳機一樣，PI7耳塞旨在密封耳道，以實現最佳性能。耳塞膠有三種尺寸（小，中和大）。找到適合您的耳朵的尺寸對於獲得良好的密封性並確保PI7和自適應噪聲消除等高級功能發揮最佳性能至關重要。

1. 通過找到位於每個耳塞內側的L和R標識來識別左右耳塞。
2. 將耳塞放在您的耳朵中，然後將耳塞稍微向後扭轉，以使末端與耳道的開口舒適地接合。
3. 如果耳塞的大小感覺較大或較小，請嘗試使用其他尺寸的耳塞膠，以確保最佳貼合度。

注意：為優化通話質量，請確保耳塞下方的麥克風朝外，請參見圖6。

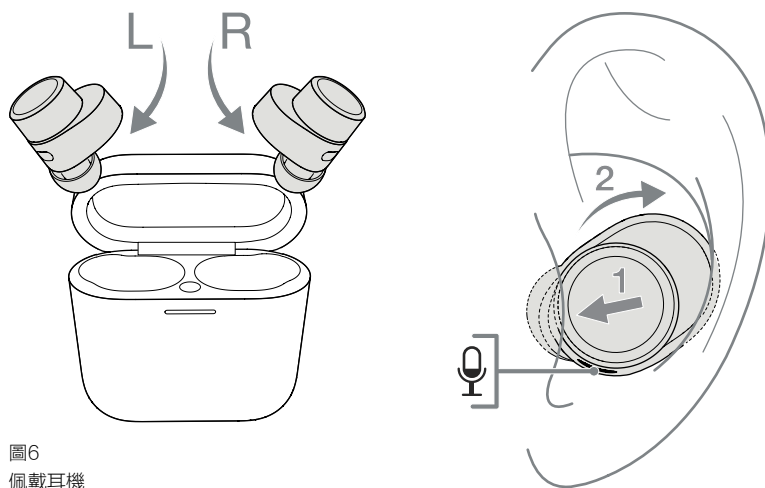


圖6  
佩戴耳機

## 8. 媒體串流

### 8.1 使用隨附的USB C型到3.5mm或USB C型到C型接線將耳機盒連接到媒體源，以進行媒體串流傳輸，請參見圖7。

1. 將隨附的接線連接到耳機箱盒和音源設備。
2. 您的PI7將自動開始串流式傳輸。

注意：對於Mac用戶，第一次進行串流式處理，請轉到“聲音設置”下的輸出控制，然後選擇“Bowers & Wilkins PI7”。

### 8.2 將第二對/後續耳機（僅限Bowers & Wilkins的）與耳機盒配對以進行串流媒體播放，請參見圖8。

您的耳機盒還可以與另一對Bowers & Wilkins耳機配對以進行串流媒體播放

1. 將隨附的接線連接到耳機盒和音源設備。
2. 按住外部按鈕3秒鐘，直到LED閃爍藍燈。
3. 將耳機切換到配對模式。
4. 耳機盒LED將變為穩定的藍色，以指示連接已完成。
5. 配對後，按耳機盒按鈕：
  - 1x即可開始串流式傳輸
  - 2x 停止串流媒體播放

注意：使用第二耳機時，兩個耳塞都必須在耳機盒內。一旦配對了後續的耳機，配對的歷史記錄將被刪除。

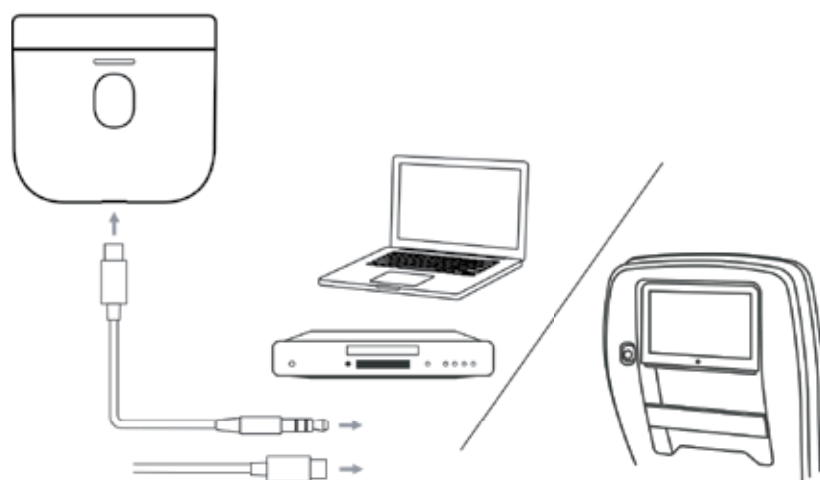


圖7  
媒體串流

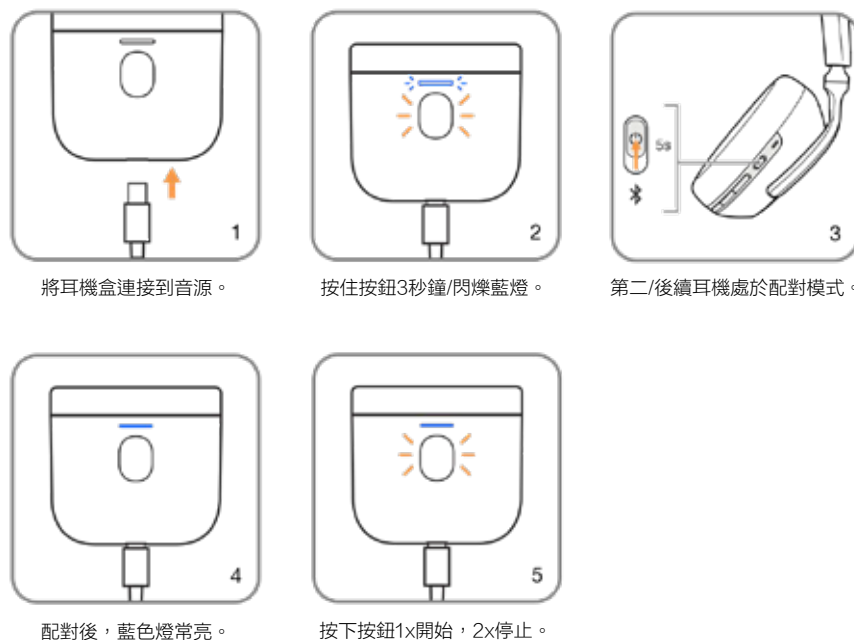


圖8  
第二/後續耳機串流

## 9. 重置/故障排除

### 9.1 恢復出廠設置

您可以清除配對的設備歷史記錄，並將所有設置恢復為默認設置。

要恢復出廠時耳塞的設定，請在將耳塞放在盒內的情況下打開充電盒。按住機箱內部的按鈕5秒鐘，然後鬆開。盒上的指示燈將變為紅色以指示已重置。

**注意：**如果耳塞無法正常工作，請恢復出廠設置以解決此問題。

### 9.2 硬重置

要硬重置耳塞，請打開並放入耳塞的盒子。按住機箱內的按鈕15秒鐘，直到LED指示燈熄滅並呈綠色亮起以指示硬重置過程完成。

**注意：**對於嚴重的系統崩潰（紅色LED持續亮起），請執行硬重置。

## 10. 耳機保養

可用濕布清潔耳塞，然後輕輕擦拭直至清潔。請勿使用清潔洗滌劑，酒精或化學清潔劑/拋光劑，否則可能會損壞您的耳塞。

## 11. 服務/支援

如果您需要解決特定問題的幫助，或者只是想你的問題得到一個簡單的答案請首先諮詢Bowers & Wilkins網站的耳機支援部分：[www.bowerswilkins.com](http://www.bowerswilkins.com)。

## 規格

技術特點	真無線技術 具有AptX Adaptive自適應技術的藍牙5.0 自動ANC 充電盒音頻串流 無線和USB-C充電 支持快速充電
藍牙編解碼器	AptX - Adaptive自適應 AptX - HD高清 AptX - Low Latency低延遲 AptX - Classic經典 AAC SBC
藍牙配置文件	A2DP v1.3.1 AVRCP v1.6.1 HFP v1.7.1 HSP v1.2 BLE GATT (Generic Attribute Profile 通用屬性配置文件)
頻帶	發送模式：2402MHz至2480MHz，ISM頻段 接收模式：2402MHz至2480MHz，ISM頻段
射頻輸出功率	< 0r =10.0 dBm
驅動單元	9.2mm動圈 加 動鐵式（平衡電樞）
頻率範圍	10Hz 至 20kHz
失真度(THD)	<0.3% (1kHz/10mW)
電池續航時間	長達4小時藍牙運作
充電	15分鐘充電= 2小時藍牙運作
輸入	藍牙
重量	耳塞7克，充電盒61克

## はじめに

Bowers & Wilkinsの製品をご購入いただきありがとうございます。John Bowersが当社を設立したとき、彼は想像力に富んだデザイン、革新的なエンジニアリング、そして先端技術が家庭でのオーディオの楽しみを解き放つ鍵になると信じて会社を興しました。

PI7はワイヤレス方式の便利さとノイズキャンセリングによるクリアさを兼ね備えて、高品質のオーディオ体験をモバイルデバイスユーザーにお届けするように設計された高性能イヤホンです。本書にはPI7を最大限に活用するために必要なすべての情報を記載しています。

PI7ではスマートフォンやタブレット端末、コンピューターからワイヤレスでストリーミングされた音楽を聞くことができます。またPI7は電話の通話にもお使いいただけます。

PI7にはアダプティブ・ノイズキャンセリング、装着検出といった高度な技術を駆使した革新的な機能が搭載されています。Bowers & Wilkinsの新世代ノイズキャンセリング機能は、自動制御の環境検知機能が搭載されており、周囲の環境に合わせ最適なノイズキャンセリングをおこないます。本機能の目的は、外出先でも上質なリスニング体験を提供することです。アンビエントパススルー機能は、会話や安全上のアナウンスなどの外部の音がイヤホンを外さなくてもはっきり聞こえるようにする機能です。

装着検出機能は、イヤホンが耳に装着されているかどうかをセンサーで検出します。耳から取り外すと自動的に音楽を一時停止し、装着すると停止したところから再生します。

これらの機能は、iOSデバイスおよびAndroidデバイスにて無料で入手できるBowers & Wilkins Headphonesアプリから、細かくカスタマイズできます。

PI7には充電ケースが付属しています。Bluetooth、アダプティブ・ノイズキャンセリングなどの使用状況によりですが、フル充電時で約20時間の再生(平均的な音量レベルかつノイズキャンセリングを有効にした状態)が可能です。

## 1. 付属品について

PI7イヤホン(イヤーチップ(M)付き)充電ケース  
USBタイプC充電用およびオーディオ用ケーブル  
(3.5mm)  
イヤーチップ(S/L)  
クイックスタートガイド

## 2. 操作方法について

### 2.1 イヤホンの電源オン/オフの切り替え

#### 電源オン/オフの切り替え

イヤホンに電源操作部はありません。PI7イヤホンは、充電ケースに入れると自動的に充電が開始され、ケースから取り外すだけで自動的に電源がオンになります。

充電ケースから外したまま約5分間使用しないと、省電力モードに入ります。省電力モードを終了するには、ペアリングしたデバイスにBluetooth接続するか、音楽再生するか、またはイヤホンを耳に装着してください。

### 2.2 イヤホンの操作

それぞれのイヤホンの上端に、図1に示すようなマルチファンクションボタンがあります。マルチファンクションボタンの機能は以下のとおりです。

#### メディアの再生:

機能	操作法
再生または一時停止	マルチファンクションボタンを1回押す。
次のトラックを再生	マルチファンクションボタンを素早く2回連続で押す。
1つ前のトラックを再生	マルチファンクションボタンを素早く3回連続で押す。

#### 電話機能:

機能	操作法
電話に出る	着信中にマルチファンクションボタンを1回押す。
電話を切る	電話で話しているときに、マルチファンクションボタンを素早く2回連続で押す。
電話を拒否する	着信中にマルチファンクションボタンを素早く2回連続で押す。

## 3. インテリジェントな機能

### 3.1 アダプティブ・ノイズキャンセリング

ノイズキャンセリングは、周囲の環境からの不要な雑音を取り除く高度な技術です。

PI7は、Bowers & Wilkins独自のアダプティブ・ノイズキャンセリング機能を備えています。これはインテリジェントな検出機能によりノイズキャンセリングを周囲の環境に適合させ、その環境に最適状態に調整する機能です。周囲の状況が変化すると、ノイズキャンセリングが新しい環境に自動的に適応します。

ノイズキャンセリング機能は、左側(L)のイヤホンのマルチファンクションボタンを約1秒間押すとアクティブになり、さらに約1秒間押すごとにオン、自動、オフの順でモードが切り替わっていきます。ボタンの位置は、図2でご確認ください。

モード	動作
On	周囲の環境からの不要なノイズを除去します。
Auto	使用時の環境に最適になるように、ノイズキャンセリングが自動的に調整されます。
Off	ノイズキャンセリング機能は無効になります。

### 3.2 音声アシスタント

音声アシスタントは、右側(R)のイヤホンのマルチファンクションボタンを約1秒間押すとアクティブになります。ボタンの位置は、図2でご確認ください。

### 3.3 アンビエントパススルー

PI7には、アンビエントパススルー機能が備わっています。これは、安全上のアナウンスや会話など、周囲の環境からの外部音の一部がイヤホンを外さなくても聞こえるようにする機能です。

アンビエントパススルー機能は、Bowers & Wilkins Headphonesアプリから有効にしたり無効にしたりできます。用途に合わせてレベルをアプリのスライドバーから調整できます。

### 3.4 装着センサー

PI7では、Bowers & Wilkinsの高度な装着検出センサーが両方のイヤホンに組み込まれています。イヤホンを耳から外すとスタンバイ状態になり、インテリジェントにバッテリーを節約します。再びイヤホンを装着したときには、PI7が自動的に起動し、最後に接続されていたBluetoothデバイスに接続します。

このセンサーは、イヤホンが耳から外されたときに、オーディオも一時停止にします。イヤホンを耳に戻すと、音楽が自動的に再開されます。

装着センサーは、Bowers & Wilkins Headphonesアプリから無効にできます。

注: 耳とイヤホンの間に髪の毛やアクセサリが挟まっていると、近接検出がうまくいかない場合があります。イヤホンの装着時には十分ご注意ください。

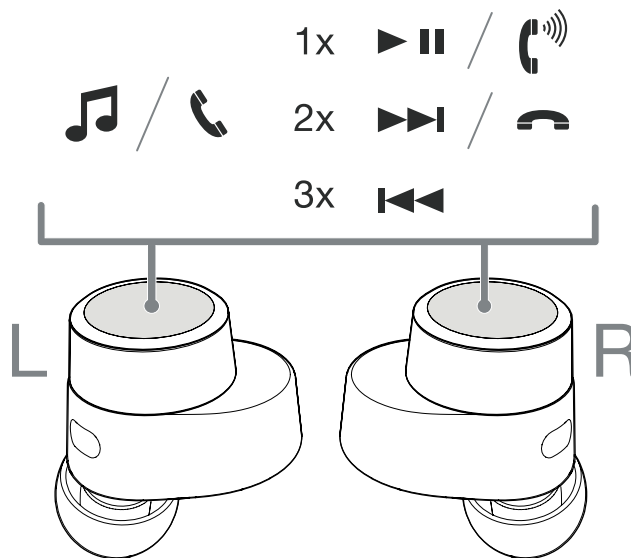


図1  
マルチファンクションボタン

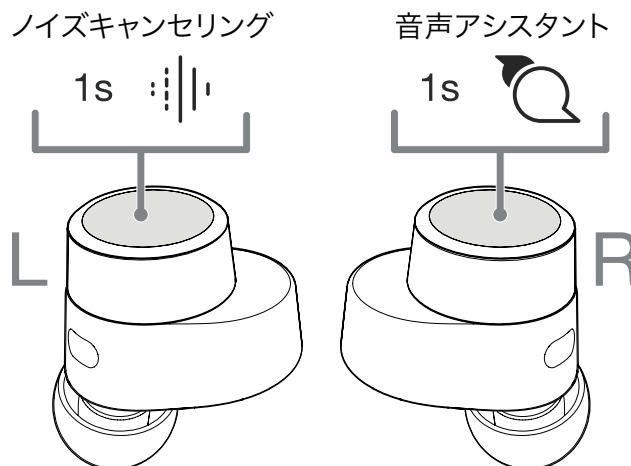


図2  
イヤホンの操作

#### 4. イヤフォンの保管

PI7イヤフォンは、ご使用にならないときは充電ケースに入れて保管してください。イヤフォンが、後に使用できるように充電されます。

#### 5. バッテリーの充電

PI7はケースとイヤフォンのバッテリーがある程度充電された状態で出荷されているため、すぐにご使用いただけますが、快適にご使用いただくために、初めて使用する前にイヤフォンを完全に充電しておくことをお勧めします。完全に充電するには、最大3時間充電してください。

PI7イヤフォンの充電の手順は、次のとおりです。

1. PI7イヤフォンを充電ケースに入れる。
2. 充電ケースの蓋を閉める。

PI7充電ケースの充電の手順は、次のとおりです。

1. 付属充電ケーブルのUSBプラグをコンセントに接続したUSB充電器またはコンピューターのUSBソケットに接続する。
2. USB-Cプラグを充電ケースのUSB-Cソケットに接続する。

注：充電中は、ケースのインジケーターが緑色で点滅します。完全に充電されたら、インジケーターが点灯に変わります。ケースは、イヤフォンがケースに入っている状態でも入っていない状態でも充電できます。

PI7ケースをワイヤレス充電ステーション(市販品)で充電する手順は、次のとおりです。

1. 充電ケースをワイヤレス充電ステーションに置く。
2. 必ず充電ケースの背面が充電ステーションに乗るように(ケースのインジケーターが上を向くように)してください。

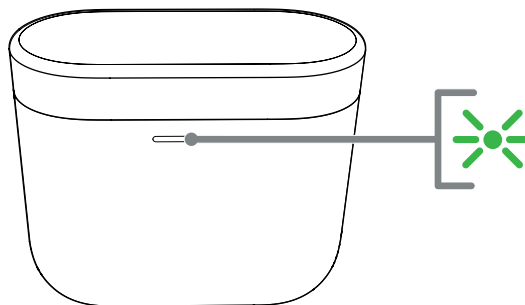
注：充電中は、ケースのインジケーターが緑色で点滅します。完全に充電されたら、インジケーターが点灯に変わります。

##### 5.1 ステータスインジケーター

ステータスインジケーターは、ケースの前面にあります。イヤフォンをケースに入れると、LEDでイヤフォンの状態が示されるようになります。イヤフォンをケースから取り出すと、LEDは充電ケースの状態を示すようになります。LEDの位置は、図3でご確認ください。

##### 5.2 バッテリー残量の確認

ケースの外側にあるボタンを1回押すと、ケースのバッテリー残量を確認できます。両方のイヤフォンがケースに入っているときは、同じボタンを2回押すと、イヤフォンのバッテリー残量が表示されます。ボタンの位置は、図4でご確認ください。



充電ケースにイヤフォンが入っている場合

点灯色		作動状態
緑(ケースの蓋が開いているとき)		イヤフォンのバッテリー残量が40%以上
黄(電源をオンにした後)		イヤフォンのバッテリー残量が20%以上
赤(電源をオンにした後)		イヤフォンのバッテリー残量
赤(点滅)		イヤフォンを出荷時の状態にリセット
赤(点灯)		ハードウェアリセット/システム障害
青(点滅)		ペアリングモードが有効
青(3秒間点灯)		ペアリング成功

充電ケースにイヤフォンが入っていない場合

点灯色		作動状態
緑(ケースの蓋が開いているとき)		ケースのバッテリー残量が40%以上
黄(電源をオンにした後)		ケースのバッテリー残量が20%以上40%未満
赤(電源をオンにした後)		ケースのバッテリー残量が20%以下
赤(点滅)		出荷時の状態
赤(点灯)		ハードウェアリセット/システム障害

図3  
ステータスインジケーターの位置

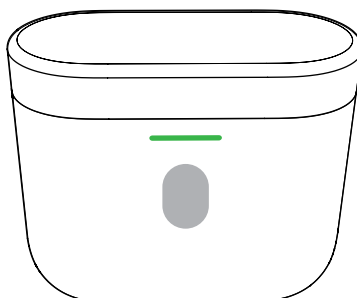


図4  
ケースとイヤフォンのバッテリー残量インジケーター



## 6. Bluetooth接続

### 6.1 ペアリング

PI7イヤフォンは、スマートフォン、タブレット端末、コンピューターなどのBluetoothオーディオデバイスから音楽をワイヤレスでストリーミングできるように設計されています。これを行うには、最初にイヤフォンとデバイスをペアリングする必要があります。

PI7イヤフォンは、開封時には任意のBluetoothオーディオデバイスとペアリングできる状態になっています。

#### 6.1.1 iOSシステム/Google FastPairのないAndroidシステム

1. Bowers & Wilkins Headphonesアプリをダウンロードする。
2. ケースの蓋を開ける。ケースのインジケーターが青色で点滅します。
3. お使いのデバイスのBluetoothペアリングメニューに移動し、デバイスリストから「Bowers & Wilkins PI7」を選択する。
4. ペアリングに成功すると、ケースのインジケーターが青色の点灯に変わります。
5. Bowers & Wilkinsアプリを開いて、イヤフォンを追加する。

注：ペアリングできるデバイスがないまま約5分間経過すると、イヤフォンは自動的にBluetoothペアリングモードを終了します。ペアリングに失敗した場合は、インジケーターが青色で高速点滅します。ペアリングをやり直してください。

2台目以降のデバイスを追加する手順は、次のとおりです。図5も参照してください。

1. イヤフォンが入っているケースの蓋を開ける。
2. ケースの内側のボタンを約1.5秒間押し続ける。ケースのインジケーターが青色で点滅します。
3. 新しいデバイスのBluetoothペアリングメニューに移動し、デバイスリストから「Bowers & Wilkins PI7」を選択する。
4. ペアリングに成功すると、ケースのインジケーターが青色の点灯に変わります。

PI7は、ペアリングしたBluetoothデバイスを3台まで記憶できます。以降のデバイスをペアリングする場合も、上記手順を繰り返してください。

注：ペアリングできるデバイスがないまま約5分間経過すると、イヤフォンは自動的にBluetoothペアリングモードを終了します。ペアリングに失敗した場合は、インジケーターが青色で高速点滅します。ペアリングをやり直してください。

### 6.1.2 Google FastPair (GFP機能と統合されているAndroidシステムの場合)

イヤフォンを追加する手順は、次のとおりです。

1. ケースをAndroidデバイス (Bluetoothが有効になっているもの) から10 cm以内になるように近づけ、PI7ケースの蓋を開ける。
2. 「Bowers & Wilkins PI7 detected」というメッセージの入ったGFP (Google FastPair) 通知ウィンドウがポップアップ表示され、ペアリングプロセスを開始するように求められます。
3. このウィンドウの[Notification] ボタンを押すとペアリングが有効になり、接続に成功したことがGFPウィンドウで確認できます。
4. ペアリングが完了すると、次のようになります。
  - o GFPウィンドウからGoogle Playストアに自動的に移動し、Bowers & Wilkinsアプリをダウンロードしてインストールできます。
  - o 左右のイヤフォンとケースのバッテリー残量がGFPウィンドウで確認できます。

### 6.2 デバイスとの接続解除

イヤフォンをケースに戻すと、直ちにPI7がデバイスから接続解除されます。または、Bowers & Wilkins Headphonesアプリを使用すれば、[Connections] から接続をさらに詳しく管理できます。

### 6.3 アプリの機能

Bowers & Wilkins Headphonesアプリでは、アダプティブ・ノイズキャンセリング、アンビエントパスルー、装着センサーなどの各機能の幅広い設定と調整が行えます。また、音声ガイド、のレベル、接続管理、イヤフォンソフトウェアのアップデートなどのさらなるカスタマイズも行えます。このアプリは、iOSデバイスおよびAndroidデバイスから無料でダウンロードしてご使用いただけます。

イヤフォンを追加する手順は、次のとおりです。

1. モバイルデバイスで、Bowers & Wilkins Headphonesアプリをダウンロードしてインストールする。
2. アプリを起動し、画面に表示されるアプリの通知のアクセス許可に関する説明を読んで、指示に従って操作する。
3. メイン画面が表示されたら、[+]をタップし、アプリに表示される指示に従って操作する。

### 6.4 イヤフォンソフトウェアのアップデート

Bowers & Wilkinsは、イヤフォンの性能向上と最適化や新しい機能の追加のために不定期にソフトウェアアップデートを提供しています。

ソフトウェアアップデートが入手可能になったら、Bowers & Wilkins Headphonesアプリでお知らせします。通知をタップし、アプリに表示される指示に従って操作してください。

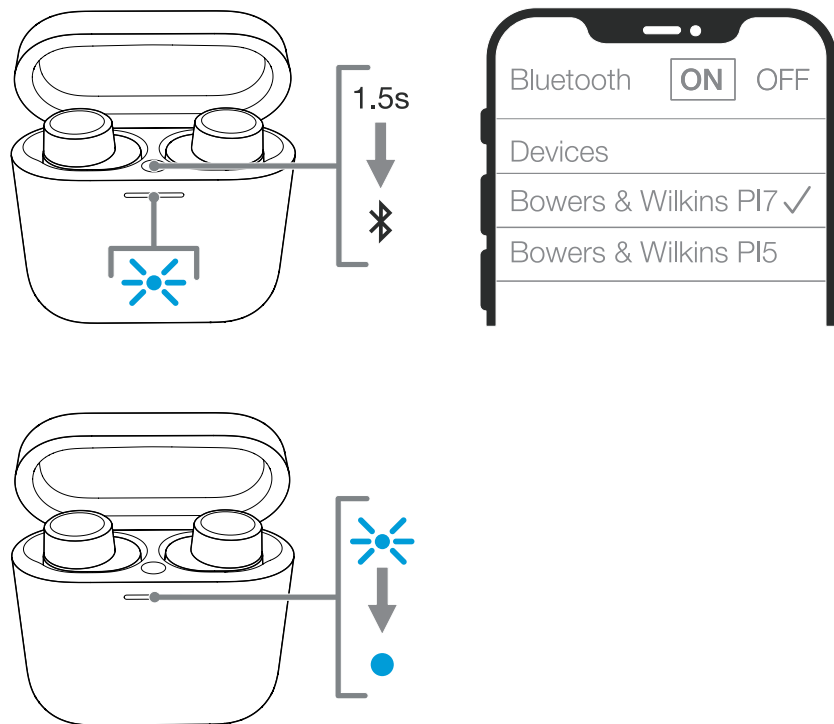


図5 Bluetoothペアリング - 2台目以降のデバイス

## 7. イヤフォンの装着

本製品の性能を最大限に体験していただくには、イヤフォンを正しく装着することが大切です(図6を参照)。PI7のイヤフォンは、他の多くのインイヤイヤフォンと同様、外耳道にフィットするように設計されています。3種類のサイズ(S、M、L)のイヤチップが付属しています。音漏れを防ぎ、PI7の性能やアダプティブ・ノイズキャンセリングなどの高度な機能のパフォーマンスを最適にするには、ご自分の耳に合ったサイズをご使用いただくことが非常に重要です。

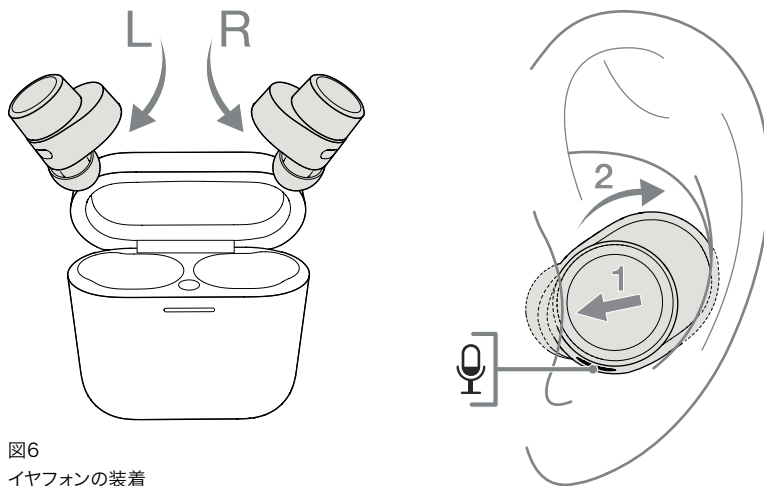


図6  
イヤフォンの装着

1. 各イヤフォンの内側の「L」と「R」の文字でイヤフォンの左右を確認する。
2. イヤフォンを耳に入れ、後ろ向きに少しだけ振って、イヤチップが外耳道の穴にぴったり納まるようにする。
3. イヤチップが大き過ぎる、または小さ過ぎると感じる場合は、別のサイズのイヤチップをお試しのうえ、最もフィットするイヤチップをご使用ください。

注:通話品質を確保するために、イヤフォンの下側にあるマイクが外側を向くようにしてください。(図6を参照)

## 8. メディアストリーミング

### 8.1 メディアストリーミングのために付属のUSB-C to 3.5mmケーブルまたはUSB-C to USB-Cケーブルでケースをメディア音源に接続する(図7を参照)

1. 付属ケーブルをケースと音源デバイスに接続します。
2. PI7が自動的にストリーミングを開始します。

注:Macユーザーの方は、初めてストリーミングする際には、サウンド設定の出力制御で[Bowers & Wilkins PI7]を選択してください。

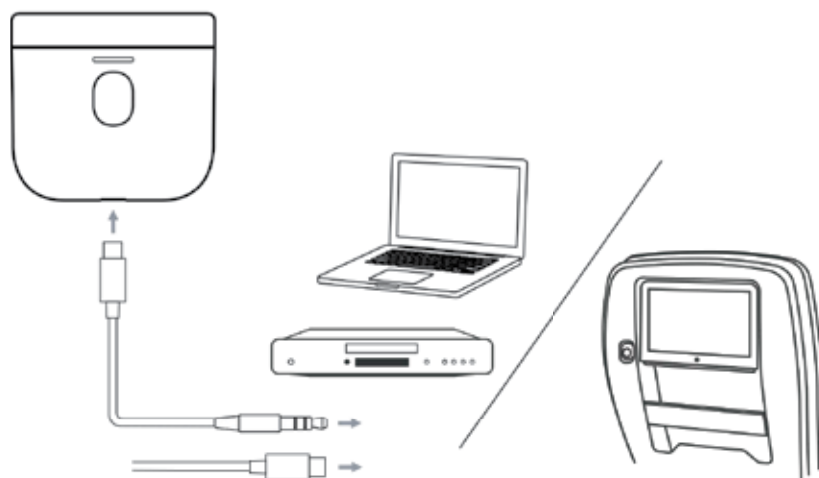
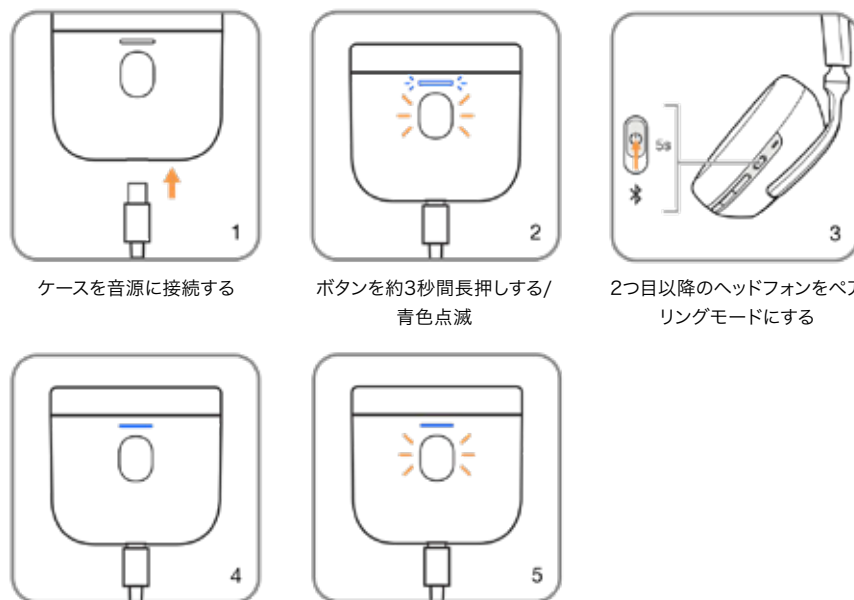


図7  
メディアストリーミング

### 8.2 メディアストリーミングのための2つ目以降のヘッドフォン(Bowers & Wilkins製のみ)とケースのペアリング(図8を参照)

ケースをメディアストリーミングのために別のBowers & Wilkinsのヘッドフォンともペアリングすることができます。

1. 付属ケーブルをケースと音源デバイスに接続する。
2. 外側のボタンをLEDが青色で点滅するまで、約3秒間長押しする。
3. ヘッドフォンをペアリングモードに切り替える。
4. 接続が完了すると、ケースのLEDが青色の点灯に変わります。
5. ペアリングできたら、外側のケースボタンを以下のように押す。
  - ストリーミングを開始するには1回。
  - ストリーミングを停止するには2回。



青色に点灯したらペアリング完了  
2つ目以降のヘッドフォンのストリーミング

図8  
開始するには1回、停止するには2回ボタンを押す

注:2つ目のヘッドフォンを使用する間は、両方のPI7イヤフォンをケースに入れておく必要があります。また、3つ目のヘッドフォンがペアリングされると、2つ目のヘッドフォンのペアリング履歴が削除されます。

## 9. リセット/トラブルシューティング

### 9.1 お買い上げ時の状態にリセット

ペアリング済みのデバイスの履歴を消去し、すべての設定値を初期設定に戻すことができます。

イヤフォンをお買い上げ時の状態にリセットするには、イヤフォンが入っている状態で充電ケースを開けます。ケースの内側のボタンを約5秒間長押ししてから離します。リセットされると、ケースのインジケータが赤色に変わります。

注：イヤフォンが正常に機能しない場合は、問題を解決するためにお買い上げ時の状態にリセットを行ってください。

### 9.2 ハードリセット

イヤフォンをハードリセットするには、イヤフォンの入っているケースを開けます。LEDインジケータが消えてから緑色で点灯するまで、約15秒間ケースの内側のボタンを長押しします。これで、リセット処理が完了します。

注：重大なシステム障害が発生した場合は（LEDが赤色で点灯）、ハードリセットを実行してください。

## 10. イヤフォンのお手入れ

イヤフォンを清掃するには、湿った布できれいになるまで優しく拭いてください。洗剤、消毒用アルコール、化学洗剤、研磨剤はご使用にならないでください。イヤフォンが損傷する場合があります。

## 11. サービス/サポート

トラブルシューティングやその他の問題でお困りの場合、および何かご不明な点がある場合は、まずは Bowers & Wilkins の Web サイト ([www.bowerswilkins.com/ja-jp](http://www.bowerswilkins.com/ja-jp)) のイヤフォンサポートセクションをご覧ください。

## 仕様

主な特徴	トゥルーワイヤレス技術 Bluetooth 5.0、AptX Adaptive 技術 オートANC対応 充電ケースからのオーディオストリーミング ワイヤレスおよびUSB-C充電 高速充電サポート
Bluetoothコーデック	AptX – Adaptive AptX – HD AptX – Low Latency AptX – Classic AAC SBC
Bluetoothプロファイル	A2DP v1.3.1 AVRCP v1.6.1 HFP v1.7.1 HSP v1.2 BLE GAT (汎用属性プロファイル)
周波数帯	Txモード：2402MHz～2480MHz、ISMバンド Rxモード：2402MHz～2480MHz、ISMバンド
RF出力パワー	< 0r = 10.0 dBm
ドライブユニット	9.2mmダイナミックドライブ、バランスドアーマチュア
周波数帯域	10Hz～20kHz
高周波歪率 (THD)	< 0.3% (1kHz/10mW)
バッテリー駆動時間	最大4時間
急速充電	約15分間の充電 = 2時間の再生
入力	Bluetooth
重量	イヤフォン7g、充電ケース61g

## Bowers & Wilkins의 P17을 만나보세요

Bowers & Wilkins를 선택해 주셔서 감사합니다. Bowers & Wilkins의 설립자 John Bowers는 아름다운 디자인과 혁신적인 엔지니어링, 첨단 기술로 우리가 훗 오디오를 제대로 즐길 수 있게 해주는 가장 결정적인 요소라고 믿어 왔습니다.

P17은 노이즈 캔슬링 기능의 평온함과 개인 휴대기기로서는 최상의 오디오 품질을 무선으로 편리하게 경험할 수 있게 해주는 고성능 이어 헤드폰입니다. 본 매뉴얼은 이 P17을 사용하는 유저들이 모든 기능을 충분히 활용할 수 있도록 안내하기 위하여 제작되었습니다.

P17은 블루투스로 연결된 휴대전화, 태블릿, 컴퓨터로부터 플레이되는 음악을 감상하거나 무선으로 전화통화기능을 사용할 수 있습니다.

P17의 리얼월드 리스닝에는 어댑티브 노이즈 캔슬링, 앰비언트 패스스루, 웨어 센싱 기술과 같은 우리의 혁신이 담겨 있습니다. 완전히 새로 디자인된 최신 노이즈 캔슬링 기능은 스마트한 환경감지 성능을 갖추고 있으며 주변 상황에 맞추어 최적의 노이즈 캔슬링 타입을 자동으로 선택하여 타협 없는 리스닝 경험을 선사해 줍니다. 앰비언트 패스스루 기능은 기기를 착용한 채로 주변의 대화소리나 안내방송 등을 깨끗하게 들을 수 있게 해줍니다. 웨어 센싱 기능은 P17을 단순히 귀에 끼우거나 빼내는 동작만으로 자연스럽게 듣고 있던 음악을 일시정지 시키거나 다시 재생시킬 수 있게 해줍니다. 이 모든 기능은 무료로 제공되는 Bowers & Wilkins의 헤드폰 앱을 통하여 iOS나 안드로이드 기기에서 세밀하게 조정하고 커스터마이징 할 수 있습니다.

P17에는 본체를 재 충전할 수 있는 배터리 케이스가 제공됩니다. 블루투스 등급 혹은 노이즈 캔슬링, 앰비언트 패스스루 기능 등의 사용 여부에 따라 차이가 있으나 완전히 충전된 배터리 케이스는 평균적인 재생 음량으로 최대 20시간 연속으로 무선 음악 감상을 할 수 있는 용량을 갖추고 있습니다.

### 1. PI7 패키지 내용물

PI7 헤드폰 본체 및 M사이즈 이어 팁  
충전 케이스  
USB-C 충전 및 USB-C to 3.5mm 오디오 케이블  
S 및 L 사이즈 이어 팁  
인쇄물 팩

### 2. PI7에 익숙해지기

#### 2.1 기기의 ON/OFF

##### ON/OFF 전환

PI7의 전원은 자동으로 제어되므로 별도의 전원 조작 버튼이 갖추어져 있지는 않습니다. PI7 이어버드가 충전 케이스에 장착되면 자동으로 충전이 시작되고, 충전 케이스에서 분리되는 즉시 사용 가능 상태로 전환됩니다.

이어버드를 충전 케이스에서 분리하고 사용하지 않은 상태로 5분이 경과하면 절전모드로 전환됩니다. 이어버드를 귀에 착용하거나 블루투스로 연결된 기기를 통하여 음악을 다시 재생하면 절전모드가 해제됩니다.

#### 2.2 기기의 컨트롤

각 이어버드의 캔 상단에는 멀티 기능 버튼이 갖추어져 있습니다. 멀티 기능 버튼의 위치는 그림 1을 참조하십시오. 멀티 평선 버튼은 다음과 같은 기능을 갖추고 있습니다:

##### 미디어 플레이백:

기능	동작
재생과 일시정지	멀티 기능 버튼을 한번만 누릅니다.
다음 곡 재생	멀티 기능 버튼을 재빨리 연속하여 2회 누릅니다.
이전 곡 재생	멀티 기능 버튼을 재빨리 연속하여 3회 누릅니다.

##### 전화 통화 기능:

기능	동작
전화 받기	전화가 걸려오고 있는 동안 멀티 기능 버튼을 한번만 누릅니다.
통화 종료	전화 통화 중에 멀티 기능 버튼을 재빨리 연속하여 2회 누릅니다.
수신 거부	전화가 걸려오고 있는 동안 멀티 기능 버튼을 재빨리 연속하여 2회 누릅니다.

### 3. 인텔리전트 기능

#### 3.1 어댑티브 노이즈 캔슬링

노이즈 캔슬링은 첨단 테크놀로지를 구사하여 외부로부터의 원치 않는 소음을 차단해 주는 기능입니다. PI7의 어댑티브 노이즈 캔슬링 기능에도 우리가 이루어낸 혁신이 담겨 있습니다.

주변 상황의 변화를 기민하게 감지하여 최적으로 튜닝된 노이즈 캔슬링 기능이 자동으로 적용됩니다.

노이즈 캔슬링 기능은 왼쪽 이어버드의 멀티 기능 버튼을 1초간 누를 때마다 ON, AUTO, OFF의 순서대로 상태가 전환됩니다. 버튼의 위치는 그림 2를 참조하십시오.

모드	적용
ON	주변 환경으로부터 원치 않는 소음을 제거합니다.
AUTO	현재 주변 상황에 맞추어 최적의 노이즈 캔슬링이 적용됩니다.
OFF	노이즈 캔슬링 기능을 끕니다.

#### 3.2 보이스 어시스턴트

보이스 어시스턴트 기능은 오른쪽 이어버드의 멀티 기능 버튼을 1초간 누르는 것으로 활성화시킬 수 있습니다. 버튼의 위치는 그림 2를 참조하십시오.

#### 3.3 엠비언트 패스스루

PI7에는 주변에서 들려오는 안전 관련 안내방송이나 대화소리를 기기를 착용한 상태에서도 깨끗하게 들을 수 있게 해주는 엠비언트 패스스루 기능이 탑재되어 있습니다.

엠비언트 패스스루 기능의 ON/OFF는 Bowers & Wilkins 헤드폰 앱에서 조작할 수 있습니다. 이 앱을 통하여 엠비언트 패스스루 기능의 ON/OFF 외에도 엠비언트 패스스루 레벨이나 HIGH/LOW/OFF와 같은 음질 조정을 할 수 있습니다.

### 3.4 웨어 센서

PI7의 양쪽 이어버드에는 기기의 착용 여부를 감지하는 인핸스드 웨어 디렉션 센서가 탑재되어 있습니다. 이 센서는 이어버드가 착용되지 않은 상태에서는 절전모드로 진입하여 배터리 소모를 최소한으로 억제하도록 설계되어 있습니다. 다시 착용하면 절전모드가 해제되며 마지막으로 연결되었던 블루투스 기기로 접속됩니다.

이어버드를 귀에서 빼내는 동작과 동시에 듣고 있던 음악은 일시정지 상태로 전환됩니다. 반대로 이어버드를 귀에 꽂으면 다시 재생되는데 자동 재생은 사용자의 사용 형태에 맞추어 더욱 최적화 되어 있습니다.

웨어 센서는 Bowers & Wilkins 헤드폰 앱에서 ON/OFF시킬 수 있습니다.

주의: 기기 착용 시 머리카락이나 액세서리 등이 사용자의 귀와 이어버드 사이에 끼는 경우 이어버드의 근접 센서가 제대로 동작하지 않을 수 있습니다.

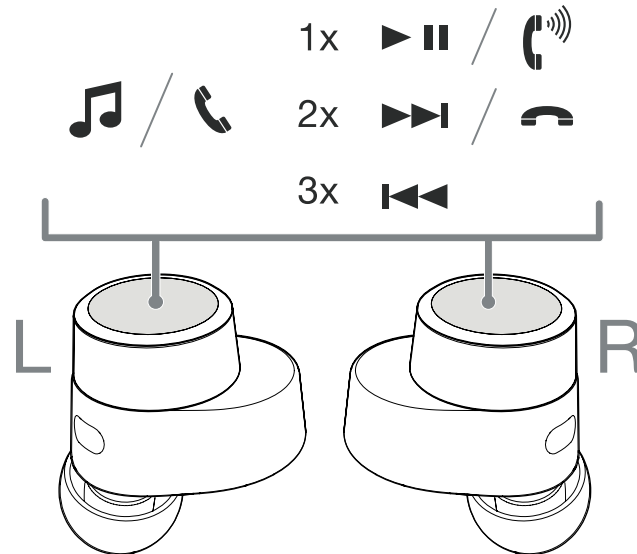


그림 1  
멀티 기능 버튼

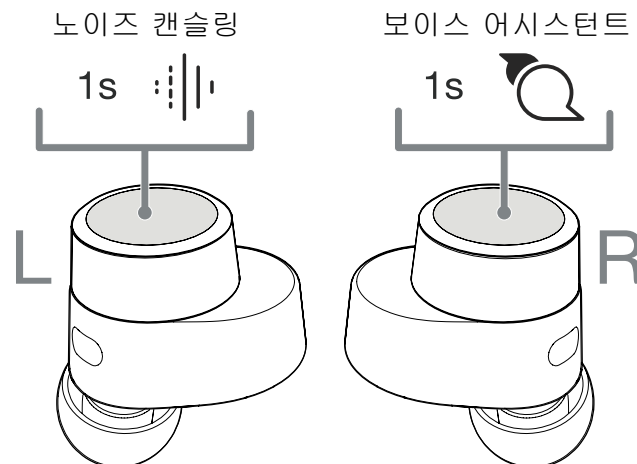


그림 2  
이어 헤드폰 컨트롤

#### 4. 이어버드의 보관

사용하지 않을 때는 PI7 이어버드를 충전 케이스에 넣어 보관하십시오. 이어버드 배터리가 재충전되어 다시 사용할 수 있도록 준비됩니다.

#### 5. 배터리 충전

PI7 출하 시에는 충전 케이스와 이어버드의 배터리가 일부 충전되어 있으므로 즉시 사용 가능하지만, 이상적인 사용자 경험을 위하여 최초 사용 시에 미리 완충전 시킬 것을 권장합니다. 이어버드의 완전 충전에는 약 3시간 정도가 소요될 수 있습니다.

PI7 이어버드의 충전:

1. PI7 이어버드를 충전 케이스에 넣습니다.
2. 충전 케이스 뚜껑을 닫습니다.

PI7 충전 케이스의 충전:

1. 함께 제공되는 USB 충전 케이블의 USB 플러그를 USB 충전기 혹은 컴퓨터의 USB 단자에 연결합니다.
2. USB 충전케이블의 반대쪽 USB-C 플러그를 충전케이스의 USB-C 단자에 연결합니다.

주의: 충전 시에는 충전 케이스의 상태 표시등이 녹색으로 점멸됩니다. 완전히 충전되면 표시등이 점멸을 멈추고 계속 점등된 상태로 유지됩니다. 충전 케이스는 이어버드가 케이스 내에 들어있는지의 여부와 관계 없이 충전이 이루어집니다.

무선충전기 패드로 PI7 충전케이스의 충전:

1. 충전 케이스를 무선충전기 패드 위에 올려 놓습니다.
2. 충전 케이스의 뒷면이 무선 충전기 패드를 향하도록 합니다. (무선 충전기의 표시등이 뒷면으로 옵니다)

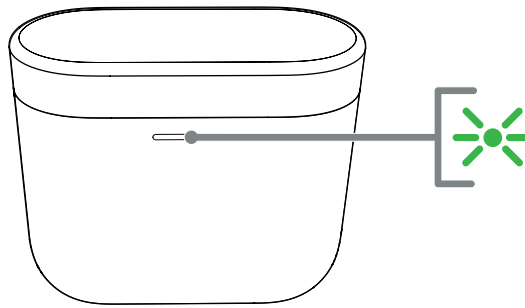
주의: 충전 시에는 충전 케이스의 상태 표시등이 녹색으로 점멸됩니다. 완전히 충전되면 표시등이 점멸을 멈추고 계속 점등된 상태로 유지됩니다.

#### 5.1 상태 표시등

충전 케이스의 상태 표시등은 충전케이스의 전면부에 위치하고 있습니다. 이어버드가 충전 케이스에 수납된 상태에서는 충전 케이스의 상태 표시등은 이어버드의 상태 정보를 나타냅니다. 이어버드가 충전 케이스에서 분리된 상태에서는 충전 케이스의 상태 표시등은 충전 케이스의 상태 정보를 나타냅니다. LED의 표시는 그림 3을 참조하십시오.

#### 5.2 배터리 잔량의 확인

충전 케이스 배터리 잔량은 충전 케이스 외부에 위치한 버튼을 한차례 누르는 것으로 확인할 수 있습니다. 양쪽 이어버드가 모두 충전 케이스에 수납된 상태에서 충전 케이스의 버튼을 2회 누르면 이어버드의 배터리 잔량을 확인할 수 있습니다. 버튼 위치는 그림 4를 참조하십시오.



이어버드가 충전 케이스에 수납된 상태에서의 충전 케이스 상태 표시등 정보

표시등	상태
녹색 (충전 케이스 뚜껑 열림)	이어버드 배터리 40% 이상 충전됨
노란색 (전원 켜짐)	이어버드 배터리 20% 이상 40% 미만 충전됨
빨간색 (전원 켜짐)	이어버드 배터리 충전 20% 미만
빨간색 (점멸)	이어버드 공장 초기화
빨간색 (점등)	하드웨어 리셋 / 시스템 충돌
파란색 (점멸)	페어링 모드 활성화
파란색 (3초간 점등)	페어링 성공

이어버드가 충전 케이스에 수납되지 않은 상태에서의 충전 케이스 상태 표시등 정보

표시등	상태
녹색 (충전 케이스 뚜껑 열림)	충전 케이스 배터리 40% 이상 충전됨
노란색 (전원 켜짐)	충전 케이스 배터리 20% 이상 40% 미만 충전됨
빨간색 (전원 켜짐)	충전 케이스 배터리 충전 20% 미만
빨간색 (점멸)	공장 초기화
빨간색 (점등)	하드웨어 리셋 / 시스템 충돌

그림 3  
상태 표시등의 표시 정보 내용

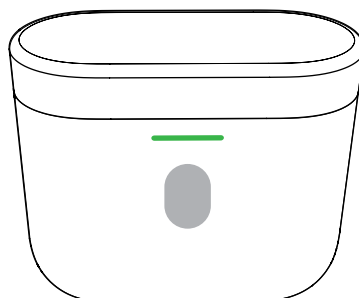


그림 4  
충전 케이스와 이어버드 배터리 상태 표시등

## 6. 블루투스 연결

### 6.1 페어링

PI7은 블루투스로 연결된 스마트폰, 태블릿, 컴퓨터 등의 블루투스 오디오 기기로부터 무선으로 음악을 재생하여 청취할 수 있도록 만들어졌습니다. 이를 위해서는 블루투스 기기와 PI7이 블루투스로 페어링 될 필요가 있습니다.

PI7 출하 시에는 여하한 블루투스 기기외도 페어링될 준비가 된 상태입니다.

#### 6.1.1 iOS 기기 / 안드로이드 기기 (GFP가 적용되지 않은 경우)

1. Bowers & Wilkins 헤드폰 앱을 다운로드 받습니다.
2. 충전 케이스의 뚜껑을 엽니다. 충전 케이스의 상태 표시등이 파란색으로 점멸됩니다.
3. 블루투스 접속하려는 기기의 블루투스 페어링 메뉴의 기기 목록에서 "Bowers & Wilkins PI7"을 선택합니다.
4. 충전 케이스 상태 표시등이 파란색으로 점등되며 페어링 성공을 알립니다.
5. Bowers & Wilkins 앱을 열고 새로운 헤드폰기기를 추가합니다.

주의: 5분 이상 어떤 기기외도 블루투스 연결이 이루어지지 않으면 블루투스 페어링 모드가 해제됩니다. 페어링이 실패하면 충전 케이스의 상태 표시등이 빠르게 점멸되므로 페어링을 다시 시도하십시오.

또 다른 기기와 페어링하기 위해서는 그림 5를 참조하십시오:

1. 충전 케이스 뚜껑을 열고 이어버드를 충전 케이스에 끼워 넣습니다.
2. 충전 케이스 내부에 위치한 버튼을 누르고 1~5초 동안 누른 상태를 유지합니다. 충전 케이스 상태 표시등이 파란색으로 점멸합니다.
3. 새로운 블루투스 기기의 블루투스 페어링 메뉴의 기기 목록에서 "Bowers & Wilkins PI7"을 선택합니다.
4. 충전 케이스의 상태 표시등이 파란색으로 점등되며 페어링 성공을 알립니다.

PI7은 페어링된 블루투스 기기를 최대 3대까지 저장할 수 있습니다. 또 다른 기기를 접속하려면 위의 과정을 반복합니다.

주의: 5분 이상 어떤 기기외도 블루투스 연결이 이루어지지 않으면 블루투스 페어링 모드가 해제됩니다. 페어링이 실패하면 충전 케이스의 상태 표시등이 빠르게 점멸되므로 페어링을 다시 시도하십시오.

### 6.1.2 Google FastPair (GFP 기능이 탑재된 안드로이드 기기)

새로운 헤드폰 기기의 추가:

1. 블루투스 기능이 활성화된 안드로이드 기기로부터 10cm (4인치) 이내의 거리에 충전 케이스를 위치시키고 뚜껑을 엽니다.
2. "Bowers & Wilkins PI7 detected"라는 메시지와 함께 페어링을 요구하는 GFP (Google FastPair) 알림 창이 나타납니다.
3. 알림 창의 "Notification" 버튼을 눌러 페어링을 활성화시킵니다. GFP 창에 접속 성공 여부가 표시됩니다.
4. 페어링에 성공하면:
  - o GFP 알림 창에서 Bowers & Wilkins 앱을 다운로드하고 설치할 수 있는 구글플레이스토어 페이지로 연결됩니다.
  - o L/R 이어버드와 충전 케이스 배터리 레벨이 GFP 알림 창에 나타납니다.

### 6.2 연결 해제

PI7를 충전 케이스에 삽입하면 블루투스 접속된 기기와 즉시 연결이 해제됩니다. 다른 기기와의 연결 상태는 Bowers & Wilkins 헤드폰 앱의 접속 항목에서도 제어할 수 있습니다.

### 6.3 앱의 기능

Bowers & Wilkins 헤드폰 앱을 통하여 어댑티브 노이즈 캔슬링, 앰비언트 패스스루, 웨어 센서 등의 기능을 설정할 수 있으며, 음성명령, 앰비언트 패스스루의 레벨, 접속관리, 헤드폰 소프트웨어 업데이트 등의 커스터마이징 등을 행할 수 있습니다. Bowers & Wilkins 헤드폰 앱은 iOS 및 안드로이드 기기에서 무료로 다운로드하여 설치할 수 있습니다.

새로운 헤드폰 기기의 추가:

1. 사용하는 스마트폰에 Bowers & Wilkins 헤드폰 앱을 다운로드하여 설치합니다.
2. 앱을 실행시키고 페어링 앱 통지와 퍼미션을 읽고 필요한 절차를 따릅니다.
3. 앱의 메인 스크린에서 + 기호를 터치하고 지시를 따릅니다.

### 6.4 헤드폰 소프트웨어 업데이트

Bowers & Wilkins에서 때때로 새로운 기능의 추가나 기기의 퍼포먼스 최적화 등의 목적으로 소프트웨어 업데이트를 제공할 수 있습니다.

Bowers & Wilkins 헤드폰 앱에서 새로운 소프트웨어 업데이트 알림이 나타나는 경우 통지 버튼을 터치하고 지시에 따라 업데이트할 수 있습니다.

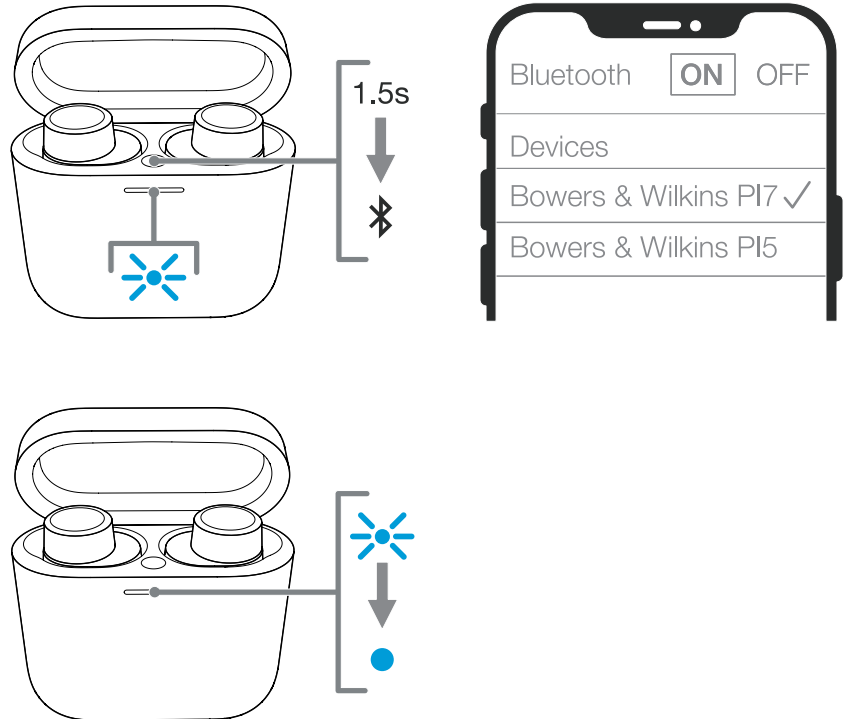


그림 5  
블루투스 페어링 - 다른 기기와의 페어링

## 7. 인이어 헤드폰의 착용

최상의 사용자 경험을 위해서는 인이어 헤드폰을 올바르게 착용할 필요가 있습니다. 그림 6을 참조하십시오. P17 이어버드는 최적의 퍼포먼스를 위하여 귀의 외이도를 밀폐하도록 디자인되어 있습니다. P17의 이어 팁은 스몰, 미디엄, 라지의 3가지 사이즈로 제공됩니다. 적절한 이어 팁을 사용하는 것으로 P17의 밀폐도가 향상되고 어댑티브 노이즈 캔슬링과 같은 기능을 최적으로 활용할 수 있게 됩니다.

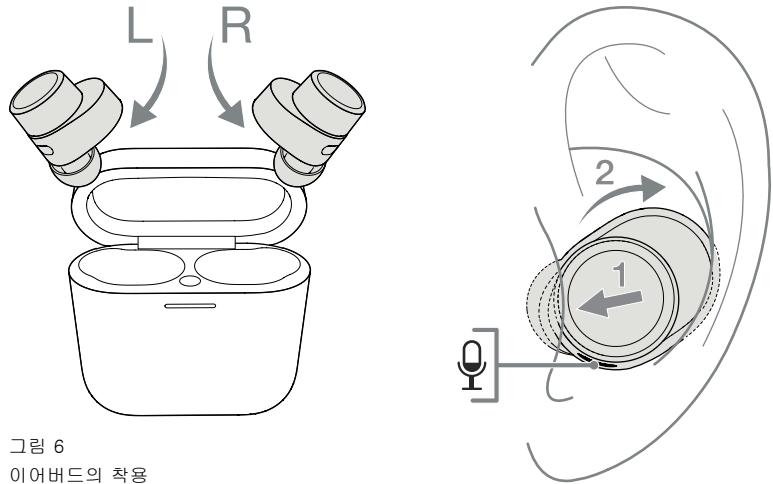


그림 6  
이어버드의 착용

1. 각 이어버드 안쪽의 L 혹은 R 표시로 좌우의 이어버드를 확인합니다.
2. 각 이어버드를 귀에 꽂아 넣고 살짝 비틀어 빼내는 것으로 이어 팁이 외이도에 자연스럽게 밀착됩니다.
3. 이어 팁의 사이즈가 너무 크거나 작은 경우에는 가장 잘 맞는 다른 이어팁으로 교체합니다.

주의: 최적의 통화 품질을 위해 이어버드 하단의 마이크가 바깥쪽으로 향하도록 착용하십시오. 그림 6을 참조하십시오.

## 8. 미디어 스트리밍

**8.1 함께 제공되는 USB C 타입 to 3.5mm 잭 케이블 혹은 USB C 타입 to USB C 타입 케이블로 충전 케이스를 미디어 소스 장치에 연결할 수 있습니다. 그림 7을 참조하십시오.**

1. 제공된 케이블로 충전 케이스와 미디어 소스 장치를 연결합니다.
2. P17이 자동으로 스트리밍을 시작합니다.

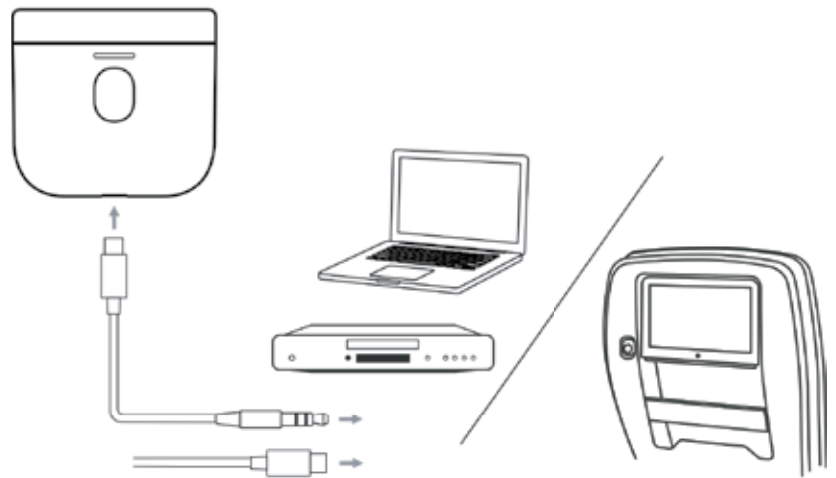


그림 7  
미디어 스트리밍

주의: Mac 사용자는 처음으로 스트리밍을 하기 전에 사운드 설정의 아웃풋 컨트롤에서 "Bowers & Wilkins P17"을 선택할 필요가 있습니다.

**8.2 Bowers & Wilkins사의 다른 헤드폰을 충전 케이스와 페어링하여 미디어 스트리밍(그림 8)**

Bowers & Wilkins사의 다른 헤드폰을 추가로 페어링하여 미디어 스트리밍을 즐길 수 있습니다.

1. 제공된 케이블로 충전 케이스와 미디어 소스 장치를 연결합니다.
2. 충전 케이스 외부 버튼을 LED 표시등이 파란색으로 점멸할 때까지 3초간 누릅니다.
3. 헤드폰을 페어링 모드로 전환합니다.
4. 충전 케이스의 LED 표시등이 파란색으로 점등되어 접속 완료를 나타냅니다.
5. 페어링이 완료되면 충전 케이스의 외부 버튼이 다음과 같이 기능합니다:
  - 1회 눌러 스트리밍 시작
  - 2회 눌러 스트리밍 정지

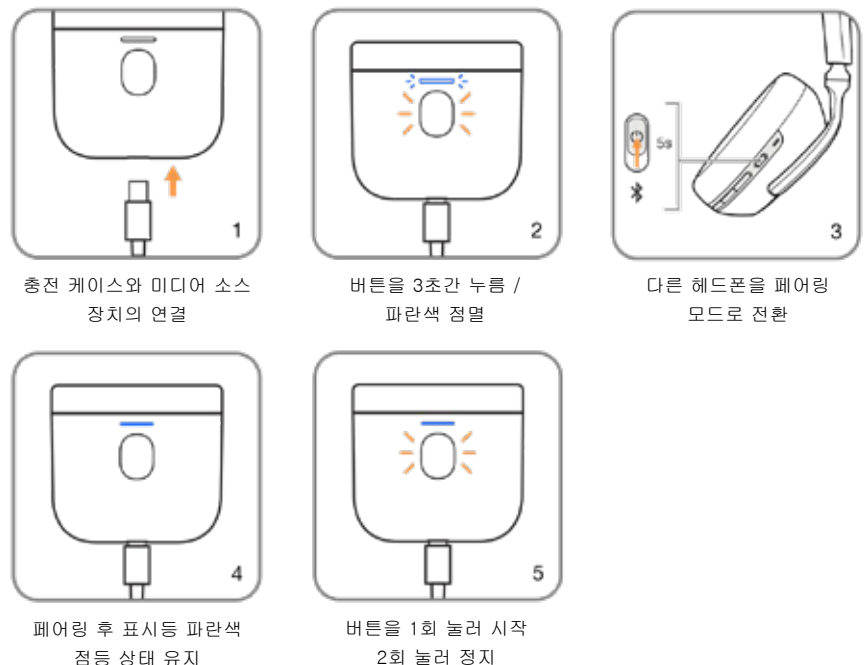


그림 8  
다른 헤드폰을 페어링하여 스트리밍

주의: 다른 헤드폰을 페어링 시켜 사용하기 위해서는 P17의 이어버드는 충전 케이스 내에 수납되어 있어야 합니다. 일단 추가 다른 헤드폰과 페어링 되면 기존의 페어링 히스토리도 삭제됩니다.



## 9. 초기화/문제해결

### 9.1 공장 초기화

페어링 히스토리를 삭제하고 모든 설정을 초기화할 수 있습니다.

이어버드를 공장 초기화하려면 충전 케이스를 열고 이어버드를 충전 케이스에 수납한 다음 충전 케이스 안쪽의 버튼을 5초간 누릅니다. 충전 케이스의 LED 표시등이 빨간색으로 전환되어 리셋 상태를 나타냅니다.

**주의:** 이어버드의 기능이 제대로 동작하지 않는 경우 문제 해결을 위해 공장초기화를 시도해볼 수 있습니다.

### 9.2 하드 리셋

이어버드를 하드 리셋하려면 충전 케이스를 열고 이어버드를 충전케이스에 수납한 다음 충전 케이스 안쪽의 버튼을 15초간 누릅니다. 충전 케이스의 LED 표시등이 꺼졌다가 잠시 후 녹색으로 켜지면서 하드 리셋이 완료되었음을 나타냅니다.

**주의:** 심각한 시스템 충돌 (LED 표시등이 빨간색으로 점등) 등의 경우에 하드 리셋을 시도해 볼 수 있습니다.

## 10. 언어 헤드폰의 취급

이어버드는 촉촉한 천으로 부드럽게 닦아 청소합니다. 세제나 알코올, 화학약품, 연마제 등을 사용하면 이어버드가 손상될 수 있습니다.

## 11. 서비스 및 지원

문제 해결을 위한 도움이 필요하거나 궁금한 사항은 Bowers & Wilkins 웹사이트 [www.bowerswilkins.com](http://www.bowerswilkins.com)에서 헤드폰 지원 항목을 방문하시기 바랍니다.

## 제원

기술 사양	True Wireless technology Bluetooth 5.0 with AptX Adaptive technology Auto ANC 충전 케이스를 통한 오디오 스트리밍 Wireless/USB-C 충전 지원 고속 충전 지원
블루투스 Codec	AptX – Adaptive AptX – HD AptX – Low Latency AptX – Classic AAC SBC
블루투스 프로파일	A2DP v1.3.1 AVRCP v1.6.1 HFP v1.7.1 HSP v1.2 BLE GATT (Generic Attribute Profile)
주파수 대역	Tx 모드: 2402MHz – 2480MHz까지, ISM Band Rx 모드: 2402MHz – 2480MHz까지, ISM Band
RF 아웃풋 파워	< 0r =10.0 dBm
드라이브 유닛	9.2mm 다이내믹 드라이브 (Balanced Armature)
주파수 범위	10Hz – 20kHz
디스토션 (THD)	<0.3% (1kHz/10mW)
배터리 지속시간	블루투스 접속 최대 4시간
충전	15분 충전으로 블루투스 접속 2시간
입력	블루투스
무게	이어버드 7g, 충전케이스 61g